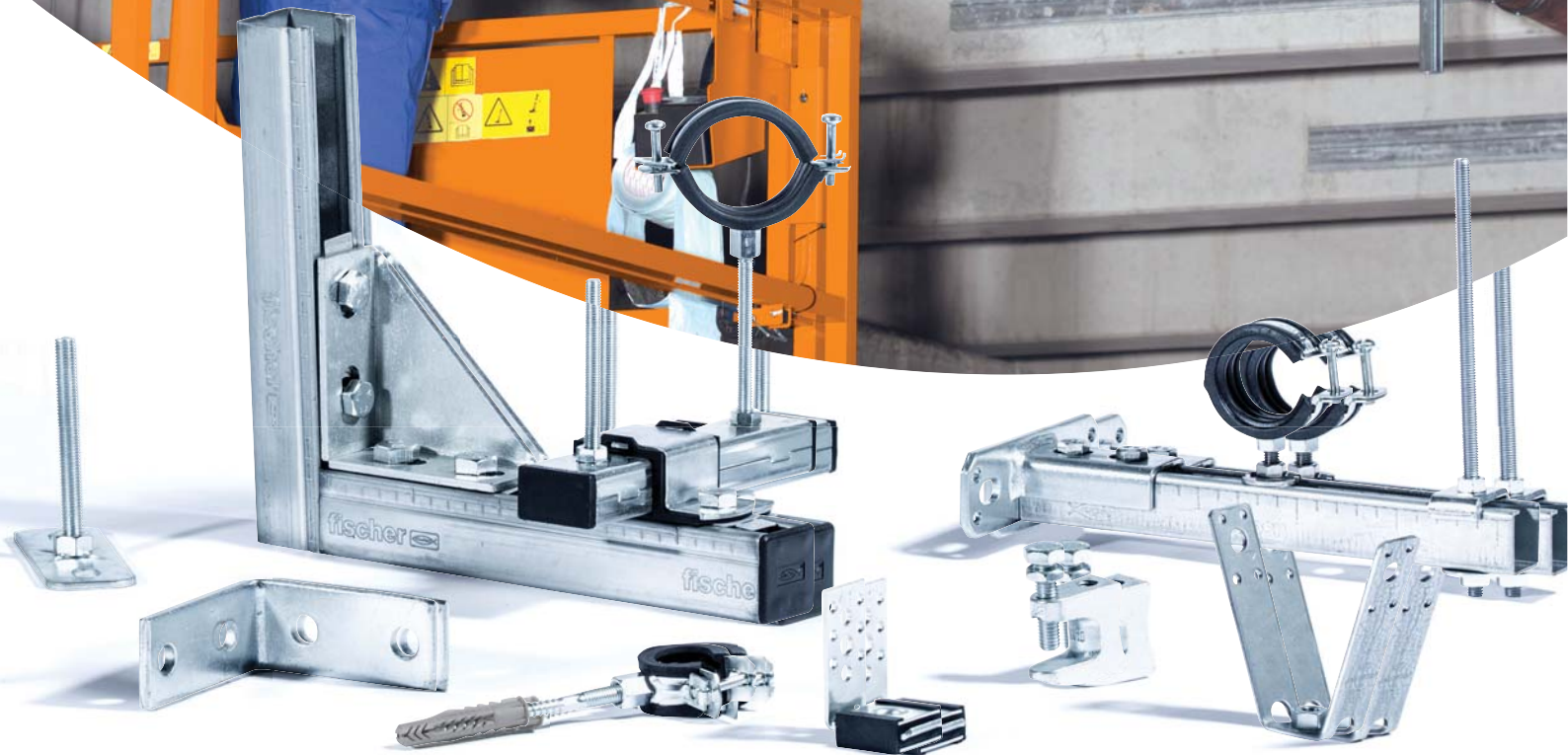


# Installation Systems Catalogue



A BRAND AND ITS PROMISE  
**TO PERFORM**



Prof. Klaus Fischer

**Dear Partners,**

The increasing diversity of building materials, the constantly changing combination principles of different materials and the ever-increasing requirements with regard to processing all demand constant development of our fixing systems. Our goal, therefore, is, and will always be, to provide you with the best technical solution for your current fixing job quickly and with as much flexibility as possible.

Our innovative strength has helped us to become a globally recognised and esteemed specialist when it comes to secure and economical fixings at building sites. Our products range from chemical systems to steel anchors through to plastic fixings. Innovative façade systems, a comprehensive range of screws, special product ranges for thermal insulation composite systems, sanitary, heating, ventilation and electrical installations, adhesives, sealants and foams. We have the ideal solution for every fixing problem and we always rely on the highest possible quality, maximum safety and ease of installation.

Sustainability has been a key part of our work for decades now. Our active environmental management policy means that we are helping to maintain an intact environment for our generation and for those that follow. We fulfil this requirement not just in the way that we deal with energy, raw materials and auxiliary materials on a day-to-day basis but also in the development of new products. As a concrete result and consequence of this fundamental strategy, in spring 2014 we became the first manufacturer in the world to offer fixings made from predominantly renewable raw materials. This new "greenline" range features a number of different plastic fixings and a two-component injection mortar for heavy loads. All "green" fischer products have the same performance properties as their grey-coloured counterparts. Applications have been submitted for ETA approvals (masonry and option 7 for concrete) for the injection mortar. With this innovative and forward-looking range of products, we are addressing processors and builders who greatly value sustainability when building and renovating, and especially when it comes to installation.

We are close to our customers across the world – with 44 subsidiaries around the globe and sales partners in over 100 countries. We develop and produce our products ourselves – and we can even develop and produce customer-specific solutions if required. We place great value on both outstanding and innovative products and on providing a wide range of services of excellent quality: Qualified technical support staff advise you on an individual basis and on location. Our hotline puts you into direct contact with the fischer technical support team, who are able to provide fast and professional assistance for all fixing jobs. Finally, we also provide design programs and technical handbooks, which we have developed in-house. And, last but not least, the fischer ACADEMY, situated at our headquarters in Tumlingen, provides the ideal conditions for getting to know our products and their many uses in practical training sessions. However, modern training courses in fixing technology are not just available at our company headquarters – fischer trainers can also be found around the globe.

We hope that you enjoy using our fixing systems.

Klaus Fischer

|   |    |
|---|----|
| Hinged pipe clamp FGRS.....   | 06 |
| Pipe clamp FRS.....   | 07 |
| Pipe clamps FRSR.....   | 08 |
| Silicon pipe clamp FRSH.....  | 09 |
| Pipe clamps FRSR-N.....   | 10 |
| Pipe clamps FRSN.....   | 11 |
| Heavy duty pipe clamp FRSM M10 / M12 / M16.....                     | 12 |
| Sprinkler clamp FRSP C.....   | 13 |
| Clevis hanger FCH.....  | 14 |
| Riser Clamp RCWR.....   | 15 |
| Rubber Support Insert FRSl.....                                     | 16 |
| U-Bolt ETR.....   | 17 |
| U-Strap USP.....  | 18 |
| Fixpoint Clamp FFPS and saddle FFPK.....                            | 19 |
| Sliding element GL / FSC1 / SBS.....                                | 20 |
| Sliding hanger SB / Pendulum hanger PDH / PDH K.....                | 21 |
| Ventilation duct clamp LGS.....                                     | 22 |
| Textile web strapping GWB / Perforated steel banding LBV / LBK..... | 23 |
| Channel MS.....   | 24 |
| Cantilever arm.....   | 25 |
| Saddle flange SF.....   | 26 |
| Installation angle bracket MW.....                                  | 26 |
| Channel connector SV.....   | 27 |
| Channel connector FUF OC and PFUF OC.....                           | 27 |
| Channel washer HK.....  | 28 |
| Channel nut HG, SM.....   | 28 |
| Channel FUS.....  | 29 |
| Cantilever arm FCA.....   | 30 |
| Saddle flange SF L.....   | 31 |
| Angle fittings FAF.....   | 31 |
| FUS 3D flanges FZF, FUF.....  | 32 |
| Flat fittings FFF.....  | 32 |
| Variable bracket VB / Bracket FSB 45°.....                          | 33 |
| Beam Clamp Steel TKLS Steel Bite.....                               | 34 |
| Channel washer HK 41.....   | 34 |
| Channel nut FCN Clix.....   | 35 |
| Beam clamp TKR.....   | 36 |
| Clamp hanger TKL.....   | 36 |
| Construction element - Bracket WK / UW S.....                       | 37 |
| Channel base.....   | 38 |
| Cover cap FEC.....  | 38 |
| Threaded rod G / Threaded stud GS.....                              | 39 |
| Threaded rod TRS.....   | 40 |
| Threaded rod TRSL.....  | 40 |
| Hexagonal Bolt SKS.....   | 41 |
| Hexagonal screw SKSL.....   | 41 |
| High strength threaded stud TSL.....                                | 42 |

|   |    |
|---|----|
| Reduction socket RDM and GRD.....       | 42 |
| Hexagonal nut MU.....                   | 43 |
| Hexagonal nut HN.....                   | 43 |
| Washer U.....                           | 44 |
| Washer MW.....                          | 44 |
| Hexagonal connector VM.....             | 45 |
| Reduction piece RD.....                 | 45 |
| Push-through connector PFCN.....        | 46 |
| Push-through saddle flange PSF.....     | 47 |
| Push-through bracket.....               | 47 |
| Push-through bracket PFAF / PFUF.....   | 48 |
| Push-through brackets PFUF D.....       | 48 |
| Push-through variable bracket PVB.....  | 49 |
| Push-through bracing elements PSAE..... | 49 |
| Channel FLS.....                        | 50 |
| Cantilever arm ALK.....                 | 50 |
| Angle brace WS 31-45°.....              | 51 |
| Channel connector SV 31.....            | 51 |
| Sliding channel nut FSM Clix P.....     | 52 |
| Channel washer HK 31.....               | 52 |
| Anti-corrosion spray.....               | 53 |
| Annexure.....                           | 54 |
| Worldwide Presence.....                 | 68 |



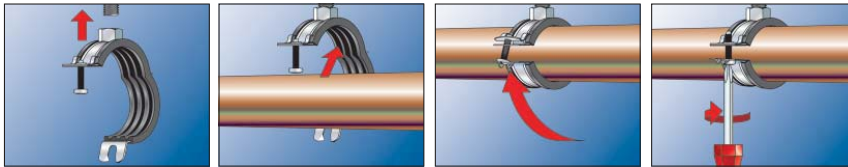
## PROPERTIES

- **Material:** Steel DD11 (material no. 1.0332 acc. to DIN EN 10111/ASTM A569)
- **Zinc plating:** Electro zinc plated 5 - 9 µm
- **Standard:** comply with ASTM B633 SC1  
Also available in SC3 on special request.
- **Connecting nut:** resistance welded, M8, SW 13
- **Locking screw:** flat head screw with combination recessed head
- **Material sound insulation insert:** EPDM; chlorine-free; silicone-free
- **Sound insulation:** for DIN 4109
- **Temperature range:** -40 °C to +100 °C
- **Hardness:** 45 ± 5° Shore A
- **Fire behaviour:** DIN 4102: Class B2

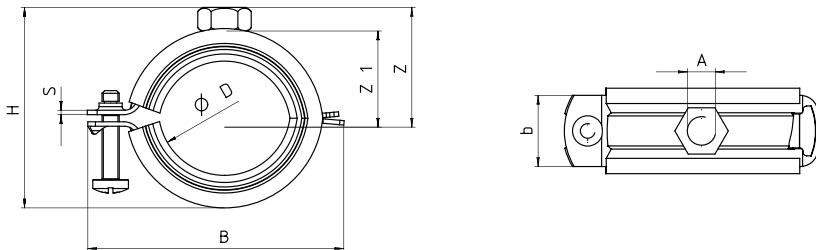
## ADVANTAGES/BENEFITS

- The floating single screw allows for simple, one-handed installation
- The safety latch fastening guarantees secure pipe installation without the clamp springing open.
- The compact construction of the pipe clamp allows for simple post-installation insulation.
- The screw's design stops it falling out during installation

## INSTALLATION



## TECHNICAL DATA



| Item         | Art.-NO. | Thread<br>A | Size<br>(inch) | Clamping<br>range<br>D<br>(mm) | Width B<br>B<br>(mm) | Height H<br>H<br>(mm) | b x s<br>(mm) | Height Z<br>Z<br>(mm) | Locking<br>Screw | Recommended<br>load<br>N <sub>rec</sub><br>(kN) | Design<br>load<br>N <sub>a</sub><br>(kN) | Sales unit<br>(pcs) |
|--------------|----------|-------------|----------------|--------------------------------|----------------------|-----------------------|---------------|-----------------------|------------------|---|--|---------------------|
| FGRS 12 - 14 | 079420   | M 8         | 1/4"           | 12 - 14                        | 48                   | 31                    | 20 x 1.25     | 21                    | M 5              | 0.80  | 1.12                                     | 100                 |
| FGRS 15 - 19 | 079421   | M 8         | 3/8"           | 15 - 19                        | 52                   | 36                    | 20 x 1.25     | 14                    | M 5              | 0.80  | 1.12                                     | 100                 |
| FGRS 20 - 24 | 079422   | M 8         | 1/2"           | 20 - 24                        | 58                   | 41                    | 20 x 1.25     | 26                    | M 5              | 0.80  | 1.12                                     | 100                 |
| FGRS 25 - 30 | 079423   | M 8         | 3/4"           | 25 - 30                        | 63                   | 47                    | 20 x 1.25     | 28                    | M 5              | 0.80  | 1.12                                     | 100                 |
| FGRS 32 - 37 | 079424   | M 8         | 1"             | 32 - 37                        | 72                   | 54                    | 20 x 1.25     | 32                    | M 5              | 0.80  | 1.12                                     | 100                 |
| FGRS 40 - 44 | 079425   | M 8         | 1 1/4"         | 40 - 44                        | 79                   | 61                    | 20 x 1.5      | 37                    | M 5              | 0.90  | 1.26                                     | 50                  |
| FGRS 45 - 50 | 079426   | M 8         | 1 1/2"         | 45 - 50                        | 88                   | 67                    | 20 x 1.5      | 42                    | M 5              | 0.90  | 1.26                                     | 50                  |
| FGRS 50 - 55 | 079427   | M 8         | -              | 50 - 55                        | 94                   | 72                    | 20 x 1.5      | 45                    | M 5              | 0.90  | 1.26                                     | 50                  |
| FGRS 56 - 63 | 079428   | M 8         | 2"             | 56 - 63                        | 99                   | 80                    | 20 x 1.5      | 46                    | M 5              | 0.90  | 1.26                                     | 50                  |



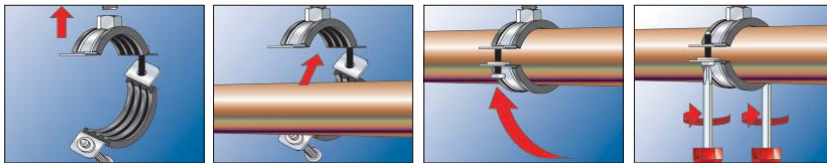
## PROPERTIES

- **Material:** Steel DD11 (material no.1.0332 acc. to DIN EN 10111/ASTM A569
- **Zinc plating:** Electro zinc plated 5 - 9 µm
- **Standard:** comply with ASTM B633 SC1 Also available in SC3 on special request.
- **Material A4:** Stainless steel of the corrosion resistance class III, e.g. A4
- **Sound insulation insert:** Material-SBR/EPDM chlorine-free; silicone-free
- **Sound insulation:** According to DIN 4109
- **Temperature range:** -40 °C to +100 °C
- **Hardness:** 55 ± 5° Shore A
- **Fire behaviour:** DIN 4102: Class B2

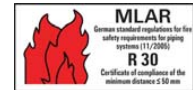
## ADVANTAGES/BENEFITS

- The fire test report guarantees independantly tested functional safety
- The combination nut with thread M8/M10 allows for optimised mounting choices
- The sound insulation insert offers noise protection and prevents contact corrosion

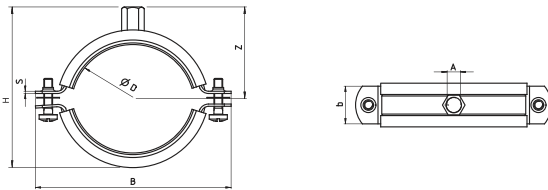
## INSTALLATION



## APPROVALS



## TECHNICAL DATA



| Item                 | Art.-NO.              | Thread<br>A | Size<br>(inch) | Clamping<br>range<br>D<br>(mm) | Width B<br>B<br>(mm) | Height H<br>H<br>(mm) | b x s<br>(mm) | height Z<br>Z<br>(mm) | Locking<br>Screw | Recommended<br>load<br>N <sub>rec</sub><br>(kN) | Design<br>load<br>N <sub>d</sub><br>(kN) | Sales unit<br>(pcs) |
|----------------------|-----------------------|-------------|----------------|--------------------------------|----------------------|-----------------------|---------------|-----------------------|------------------|---|--|---------------------|
| FRS 12 - 15 M8/M10   | 510969                | M 8/M 10    | 1/4"           | 12 - 15                        | 55                   | 39                    | 20 x 1.25     | 31                    | M 6              | 1.00  | 1.40                                     | 100                 |
| FRS 15 - 19 M8/M10   | 042535                | M 8/M 10    | 3/8"           | 15 - 19                        | 59                   | 43                    | 20 x 1.25     | 29                    | M 6              | 1.00  | 1.40                                     | 100                 |
| FRS 20 - 24 M8/M10   | 042536                | M 8/M 10    | 1/2"           | 20 - 24                        | 65                   | 48                    | 20 x 1.25     | 32                    | M 6              | 1.00  | 1.40                                     | 100                 |
| FRS 25 - 30 M8/M10   | 042537                | M 8/M 10    | 3/4"           | 25 - 30                        | 72                   | 54                    | 20 x 1.25     | 35                    | M 6              | 1.00  | 1.40                                     | 100                 |
| FRS 32 - 37 M8/M10   | 042538                | M 8/M 10    | 1"             | 32 - 37                        | 77                   | 61                    | 20 x 1.25     | 38                    | M 6              | 1.00  | 1.40                                     | 100                 |
| FRS 40 - 45 M8/M10   | 042554                | M 8/M 10    | 1 1/4"         | 40 - 45                        | 89                   | 69                    | 20 x 1.25     | 42                    | M 6              | 1.00  | 1.40                                     | 50                  |
| FRS 48 - 54 M8/M10   | 510970                | M 8/M 10    | 1 1/2"         | 48 - 54                        | 99                   | 78                    | 20 x 1.25     | 46                    | M 6              | 1.00  | 1.40                                     | 50                  |
| FRS 55 - 61 M8/M10   | 042555                | M 8/M 10    | 2"             | 55 - 61                        | 105                  | 85                    | 20 x 1.25     | 50                    | M 6              | 1.00  | 1.40                                     | 50                  |
| FRS 63 - 67 M8/M10   | 091488                | M 8/M 10    | -              | 63 - 67                        | 11                   | 91                    | 20 x 1.25     | 53                    | M 6              | 1.00  | 1.40                                     | 50                  |
| FRS 72 - 80 M8/M10   | 091489                | M 8/M 10    | 2 1/2"         | 72 - 80                        | 125                  | 104                   | 20 x 2.0      | 60                    | M 6              | 1.50  | 2.10                                     | 25                  |
| FRS 87 - 92 M8/M10   | 091505                | M 8/M 10    | 3"             | 87 - 92                        | 137                  | 116                   | 20 x 2.0      | 66                    | M 6              | 1.50  | 2.10                                     | 25                  |
| FRS 108 - 116 M8/M10 | 091506                | M 8/M 10    | 4"             | 108 - 116                      | 164                  | 140                   | 25 x 2.0      | 78                    | M 6              | 2.0   | 2.80                                     | 20                  |
| FRS 121 - 128 M8/M10 | 079456                | M 8/M 10    | -              | 121 - 128                      | 176                  | 152                   | 25 x 2.5      | 84                    | M 6              | 2.50  | 3.50                                     | 10                  |
| FRS 133 - 141 M8/M10 | 079457                | M 8/M 10    | 5"             | 133 - 141                      | 187                  | 165                   | 25 x 2.5      | 90                    | M 6              | 2.50  | 3.50                                     | 10                  |
| FRS 159 - 165 M8/M10 | 079458                | M 8/M 10    | -              | 159 - 165                      | 211                  | 198                   | 25 x 2.5      | 102                   | M 6              | 2.50  | 3.50                                     | 8                   |
| FRS 165 - 168 M8/M10 | 079459                | M 8/M 10    | 6"             | 165 - 168                      | 225                  | 192                   | 25 x 2.5      | 104                   | M 6              | 2.50  | 3.50                                     | 8                   |
| FRS 3/8" A4          | 064864                | M 8         | 3/8"           | 15 - 19                        | 62                   | 40                    | 20 x 1.2      | 23                    | M 6              | 1.00  | 1.40                                     | 100                 |
| FRS 1/2" A4          | 064865                | M 8         | 1/2"           | 20 - 24                        | 68                   | 45                    | 20 x 1.2      | 26                    | M 6              | 1.00  | 1.40                                     | 100                 |
| FRS 3/4" A4          | 064866                | M 8         | 3/4"           | 25 - 30                        | 75                   | 52                    | 20 x 1.2      | 29                    | M 6              | 1.00  | 1.40                                     | 100                 |
| FRS 1" A4            | 064868                | M 8         | 1"             | 31 - 38                        | 80                   | 60                    | 20 x 1.2      | 32                    | M 6              | 1.00  | 1.40                                     | 100                 |
| FRS 1 1/4" A4        | 064869                | M 8         | 1 1/4"         | 40 - 46                        | 90                   | 67                    | 20 x 1.2      | 37                    | M 6              | 1.00  | 1.40                                     | 50                  |
| FRS 1 1/2" A4        | 064870                | M 8         | 1 1/2"         | 48 - 54                        | 97                   | 75                    | 20 x 1.2      | 41                    | M 6              | 1.00  | 1.40                                     | 50                  |
| FRS 54 - 58 A4       | 064873 <sup>(1)</sup> | M 8         | -              | 54 - 59                        | 104                  | 80                    | 20 x 1.2      | 44                    | M 6              | 1.00  | 1.40                                     | 50                  |
| FRS 2" A40           | 064874                | M 8         | 2"             | 60 - 64                        | 110                  | 85                    | 20 x 1.2      | 46                    | M 6              | 1.00  | 1.40                                     | 50                  |
| FRS 67 - 71 A4       | 064875 <sup>(1)</sup> | M 8         | -              | 67 - 71                        | 119                  | 92                    | 25 x 1.2      | 49                    | M 6              | 1.00  | 1.40                                     | 25                  |
| FRS 2 1/2" A4        | 064879                | M 10        | 2 1/2"         | 72 - 78                        | 130                  | 99                    | 25 x 1.5      | 53                    | M 6              | 1.30  | 1.82                                     | 25                  |
| FRS 81 - 86 A4       | 064892 <sup>(1)</sup> | M 10        | -              | 81 - 86                        | 132                  | 107                   | 25 x 1.5      | 58                    | M 6              | 1.30  | 1.82                                     | 25                  |
| FRS 3" A4            | 064893 <sup>(1)</sup> | M 10        | 3"             | 87 - 92                        | 144                  | 113                   | 25 x 1.5      | 60                    | M 6              | 1.30  | 1.82                                     | 25                  |
| FRS 95 - 103 A4      | 064894 <sup>(1)</sup> | M 10        | -              | 95 - 103                       | 156                  | 124                   | 25 x 1.5      | 66                    | M 6              | 1.30  | 1.82                                     | 25                  |
| FRS 4" A4            | 064898                | M 10        | 4"             | 102 - 116                      | 172                  | 138                   | 25 x 2.0      | 73                    | M 6              | 2.0   | 2.80                                     | 20                  |
| FRS 121 - 127 A4     | 064899 <sup>(1)</sup> | M 10        | -              | 121 - 127                      | 192                  | 149                   | 25 x 2.0      | 79                    | M 6              | 2.0   | 2.80                                     | 10                  |
| FRS 133 - 141 A4     | 064901 <sup>(1)</sup> | M 10        | 5"             | 133 - 141                      | 198                  | 163                   | 25 x 2.0      | 86                    | M 6              | 2.0   | 2.80                                     | 10                  |
| FRS 159 - 168 A4     | 064903                | M 10        | 6"             | 159 - 168                      | 218                  | 191                   | 25 x 2.0      | 100                   | M 6              | 2.0   | 2.80                                     | 8                   |

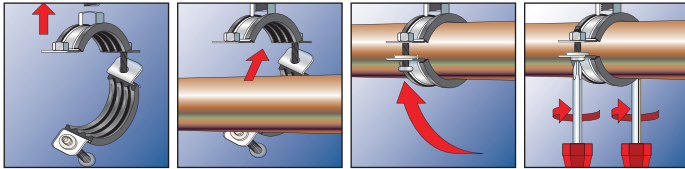
(1) Delivery time on request.



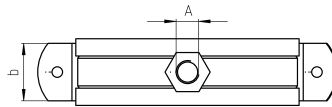
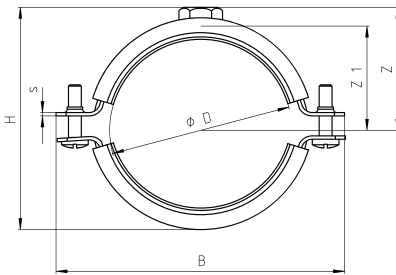
## ADVANTAGES/BENEFITS

- Simple installation due to large opening angle.
- Locking screw secured against loss.
- Combination connecting thread for cost-effective warehousing and flexibility at the construction site.

## INSTALLATION



## TECHNICAL DATA



## PROPERTIES

- **Material:** Steel
- **Zinc plating:** Electro zinc plated 5 - 9  $\mu\text{m}$
- **Standard:** comply with ASTM B633 SC1  
Also available in SC3 on special request.
- Also available in dacromet finish 8.6  $\mu\text{m}$
- **Connecting nut:** resistance welded, M8, SW 13
- **Locking screw:** flat head screw with combination recessed head
- **Sound Insulation inserts:**  
Material EPDM: Chlorine-free; Silicon-free
- **Sound insulation:** acc. to DIN 4109
- **Temperature range:** -40 °C to +100 °C
- **Hardness:** 60  $\pm$  5° Shore

| Item                  | Galvanized | Dacromet | Qty. per box | Size   | Clamping range D | s x b    | Screw   | Thread diameter A | Recommended load N <sub>rec</sub> | Design load N <sub>d</sub> |
|-----------------------|------------|----------|--------------|--------|------------------|----------|---------|-------------------|-----------------------------------|----------------------------|
|                       | Art.-NO.   | Art.-NO. |              |        |                  |          |         |                   |                                   |                            |
| FRSR 11-14 M8 / M10   | 534133     | 560283   | 100          | 1/4"   | 11-14            | 1.2 x 20 | M5 x 16 | M8+M10            | 0.85                              | 1.19                       |
| FRSR 15-19M8 / M10    | 534134     | 560284   | 100          | 3/8"   | 15-19            | 1.2 x 20 | M5 x 16 | M8+M10            | 0.85                              | 1.19                       |
| FRSR 20-25 M8 / M10   | 534135     | 560285   | 100          | 1/2"   | 20-25            | 1.2 x 20 | M5 x 16 | M8+M10            | 0.85                              | 1.19                       |
| FRSR 26-30 M8 / M10   | 534136     | 560286   | 100          | 3/4"   | 26-30            | 1.2 x 20 | M5 x 16 | M8+M10            | 0.85                              | 1.19                       |
| FRSR 32-36 M8 / M10   | 534137     | 560287   | 100          | 1"     | 32-36            | 1.2 x 20 | M5 x 16 | M8+M10            | 0.85                              | 1.19                       |
| FRSR 38-43 M8 / M10   | 534138     | 560288   | 50           | 1-1/4" | 38-43            | 1.2 x 20 | M5 x 20 | M8+M10            | 0.85                              | 1.19                       |
| FRSR 47-51 M8 / M10   | 534139     | 560289   | 50           | 1-1/2" | 47-51            | 1.2 x 20 | M5 x 20 | M8+M10            | 0.85                              | 1.19                       |
| FRSR 53-58 M8 / M10   | 534140     | 560290   | 50           | -      | 53-58            | 1.2 x 20 | M5 x 20 | M8+M10            | 0.85                              | 1.19                       |
| FRSR 60-64 M8 / M10   | 534141     | 560291   | 50           | 2"     | 60-64            | 1.2 x 20 | M5 x 20 | M8+M10            | 0.85                              | 1.19                       |
| FRSR 63-67 M8 / M10   | 534142     | 560292   | 25           | 65     | 63-67            | 1.2 x 20 | M5 x 20 | M8+M10            | 0.85                              | 1.19                       |
| FRSR 68-72 M8 / M10   | 534143     | 560294   | 25           | -      | 68-72            | 1.5 x 20 | M6 x 20 | M8+M10            | 0.85                              | 1.19                       |
| FRSR 75-80 M8 / M10   | 534144     | 560295   | 25           | 2-1/2" | 75-80            | 1.5 x 20 | M6 x 20 | M8+M10            | 0.85                              | 1.19                       |
| FRSR 81-86 M8 / M10   | 534145     | 560296   | 25           | -      | 81-86            | 1.5 x 20 | M6 x 20 | M8+M10            | 1.6                               | 2.24                       |
| FRSR 87-92 M8 / M10   | 534146     | 560297   | 25           | 3"     | 87-92            | 1.5 x 20 | M6 x 20 | M8+M10            | 1.6                               | 2.24                       |
| FRSR 99-105 M8 / M10  | 534147     | 560298   | 20           | 3-1/2" | 99-105           | 2.0 x 20 | M6 x 20 | M8+M10            | 1.6                               | 2.24                       |
| FRSR 107-112 M8 / M10 | 534148     | 560299   | 20           | -      | 107-112          | 2.0 x 20 | M6 x 20 | M8+M10            | 1.6                               | 2.24                       |
| FRSR 113-118 M8 / M10 | 534149     | 560300   | 10           | 4"     | 113-118          | 2.0 x 20 | M6 x 20 | M8+M10            | 2.2                               | 3.08                       |
| FRSR 125-130 M8 / M10 | 534150     | 560301   | 10           | -      | 125-130          | 2.0 x 20 | M6 x 20 | M8+M10            | 2.2                               | 3.08                       |
| FRSR 131-137 M8 / M10 | 560264     | 560302   | 10           | -      | 131-137          | 2.0 x 20 | M6 x 20 | M8+M10            | 2.2                               | 3.08                       |
| FRSR 138-142 M8 / M10 | 534151     | 560303   | 10           | 5"     | 138-142          | 2.0 x 20 | M6 x 20 | M8+M10            | 2.2                               | 3.08                       |
| FRSR 148-153 M8 / M10 | 560265     | 560304   | 10           | -      | 148-153          | 2.0 x 20 | M6 x 20 | M8+M10            | 2.2                               | 3.08                       |
| FRSR 159-166 M8 / M10 | 534152     | 560305   | 8            | 6"     | 159-166          | 2.0 x 20 | M6 x 20 | M8+M10            | 2.2                               | 3.08                       |
| FRSR 168-172 M8 / M10 | 560266     | 560306   | 8            | -      | 168-172          | 2.0 x 20 | M6 x 20 | M8+M10            | 2.2                               | 3.08                       |
| FRSR 175-183 M8 / M10 | 560272     | 560313   | 8            | -      | 175-183          | 2.0 x 20 | M6 x 20 | M8+M10            | 2.2                               | 3.08                       |
| FRSR 193-203 M8 / M10 | 560268     | 560307   | 8            | -      | 193-203          | 2.0 x 20 | M6 x 20 | M8+M10            | 2.2                               | 3.08                       |
| FRSR 200-212 M8 / M10 | 534153     | 560308   | 8            | -      | 200-212          | 2.0 x 20 | M6 x 20 | M8+M10            | 2.5                               | 3.5                        |
| FRSR 215-220 M8 / M10 | 534154     | 560309   | 8            | 8"     | 215-220          | 2.0 x 20 | M6 x 20 | M8+M10            | 2.5                               | 3.5                        |
| FRSR 249-253 M8 / M10 | 560269     | 560310   | 8            | -      | 249-253          | 2.0 x 20 | M6 x 20 | M8+M10            | 2.5                               | 3.5                        |
| FRSR 292-296 M8 / M10 | 560273     | 560314   | 8            | -      | 292-296          | 2.0 x 20 | M6 x 20 | M8+M10            | 2.5                               | 3.5                        |
| FRSR 313-318 M8 / M10 | 560270     | 560311   | 8            | -      | 313-318          | 2.0 x 20 | M6 x 20 | M8+M10            | 2.5                               | 3.5                        |
| FRSR 320-328 M8 / M10 | 560271     | 560312   | 8            | -      | 320-328          | 2.0 x 20 | M6 x 20 | M8+M10            | 2.5                               | 3.5                        |





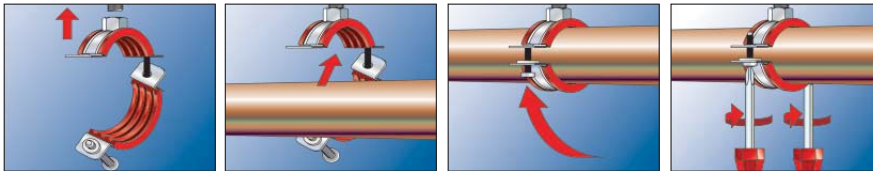
## PROPERTIES

- **Material:** Steel DD11 (material no. 1.0332 acc. to DIN EN 10111)
- **Zinc plating:** Electro zinc plated 5 - 9  $\mu\text{m}$
- **Connecting nut:** (up to FRSH 59-63) resistance welded, M8 and M8/M10 SW 13, M10 SW 17
- **Locking screw:** Flat head screw with combination recessed head
- **Sound insulation insert:** Material Silicone
- **Sound insulation:** for DIN 4109
- **Temperature range:** -40 °C to +220 °C
- **Hardness:** 60  $\pm$  5° Shore A
- **Fire behaviour:** DIN 4102: Class B2

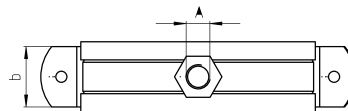
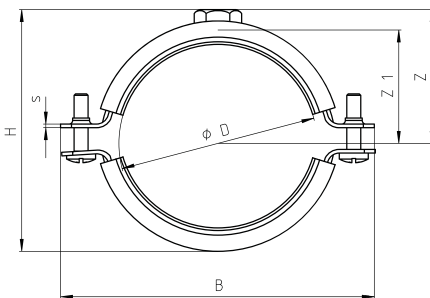
## ADVANTAGES/BENEFITS

- The special silicone sound insulation insert allows for use with average temperatures of up to +220°C
- The two screws allow for easy adjustment to suit the outer pipe diameter
- The screws' safety feature ensures trouble-free installation

## INSTALLATION



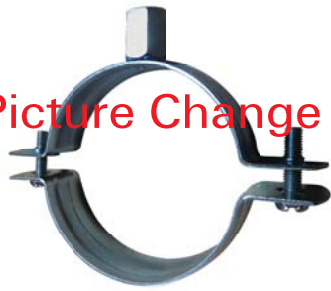
## TECHNICAL DATA



| Item           | Art.-NO.              | Thread<br>A | Size<br>(inch) | Clamping<br>range<br>D<br>(mm) | Width B<br>B<br>(mm) | Height H<br>H<br>(mm) | b x s<br>(mm) | Height Z<br>Z<br>(mm) | Locking<br>Screw | Recommended<br>load<br>N <sub>rec</sub><br>(kN) | Design<br>load<br>N <sub>d</sub><br>(kN) | Sales unit<br>(pcs) |
|----------------|-----------------------|-------------|----------------|--------------------------------|----------------------|-----------------------|---------------|-----------------------|------------------|---|--|---------------------|
| FRSH 15 - 19   | 063490                | M 8         | 3/8"           | 15-19                          | 62                   | 41                    | 20 x 1.25     | 24                    | M 5              | 1.00  | 1.40                                     | 100                 |
| FRSH 20 - 24   | 063492                | M 8         | 1/2"           | 20-24                          | 68                   | 46                    | 20 x 1.25     | 26                    | M 5              | 1.00  | 1.40                                     | 100                 |
| FRSH 25 - 30   | 063494                | M 8         | 3/4"           | 25-30                          | 75                   | 52                    | 20 x 1.25     | 29                    | M 5              | 1.00  | 1.40                                     | 100                 |
| FRSH 32 - 37   | 063495                | M 8         | 1"             | 32-37                          | 80                   | 59                    | 20 x 1.25     | 33                    | M 5              | 1.00  | 1.40                                     | 100                 |
| FRSH 40 - 45   | 063498                | M 8         | 1-1/4"         | 40-45                          | 90                   | 67                    | 20 x 1.25     | 37                    | M 5              | 1.00  | 1.40                                     | 50                  |
| FRSH 48 - 53   | 063499                | M 8         | 1-1/2"         | 48-53                          | 97                   | 75                    | 20 x 1.25     | 41                    | M 5              | 1.00  | 1.40                                     | 50                  |
| FRSH 54 - 59   | 063500 <sup>(1)</sup> | M 8         | -              | 54-49                          | 104                  | 81                    | 20 x 1.25     | 44                    | M 5              | 1.00  | 1.40                                     | 50                  |
| FRSH 60 - 64   | 063502                | M 8         | 2"             | 60-64                          | 110                  | 86                    | 20 x 1.25     | 46                    | M 5              | 1.00  | 1.40                                     | 50                  |
| FRSH 68 - 73   | 063504 <sup>(1)</sup> | M 10        | -              | 68-73                          | 122                  | 95                    | 25 x 1.5      | 51                    | M 6              | 1.30  | 1.82                                     | 25                  |
| FRSH 72 - 78   | 063505                | M 10        | 2-1/2"         | 72-78                          | 130                  | 100                   | 25 x 1.5      | 55                    | M 6              | 1.30  | 1.82                                     | 25                  |
| FRSH 80 - 86   | 063511 <sup>(1)</sup> | M 10        | -              | 80-86                          | 130                  | 108                   | 25 x 1.5      | 58                    | M 6              | 1.30  | 1.82                                     | 25                  |
| FRSH 89 - 92   | 063513 <sup>(1)</sup> | M 10        | 3"             | 87-92                          | 141                  | 114                   | 25 x 1.5      | 61                    | M 6              | 1.30  | 1.82                                     | 25                  |
| FRSH 95 - 103  | 063518 <sup>(1)</sup> | M 10        | -              | 95-103                         | 156                  | 125                   | 25 x 1.5      | 67                    | M 6              | 1.30  | 1.82                                     | 25                  |
| FRSH 102 - 116 | 063520                | M 10        | 4"             | 102-116                        | 172                  | 140                   | 25 x 2.0      | 74                    | M 6              | 2.0   | 2.80                                     | 20                  |
| FRSH 133 - 141 | 063537 <sup>(1)</sup> | M 8/M 10    | 5"             | 133-141                        | 198                  | 174                   | 25 x 2.5      | 95                    | M 8              | 2.0   | 2.80                                     | 10                  |
| FRSH 159 - 168 | 091507 <sup>(1)</sup> | M 8/M 10    | -              | 159-168                        | 226                  | 201                   | 25 x 2.5      | 109                   | M 8              | 2.0   | 2.80                                     | 8                   |

(1) Delivery time on request.

Picture Change



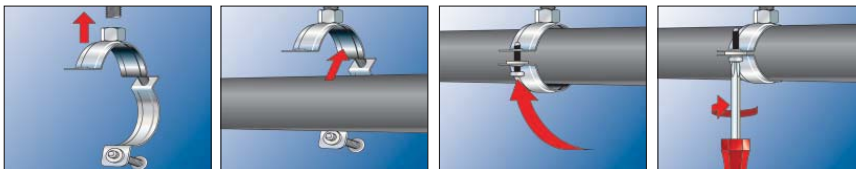
## PROPERTIES

- **Material:** Steel
- **Zinc plating:** Electro zinc plated 5 - 9 µm
- **Standard:** comply with ASTM B633 SC1
- Also available in dacromet finish 8.6 µm
- **Connecting nut:** resistance welded, M8, SW 13
- **Locking screw:** flat head screw with combination recessed head
- **Hardness:** 60 ± 5° Shore

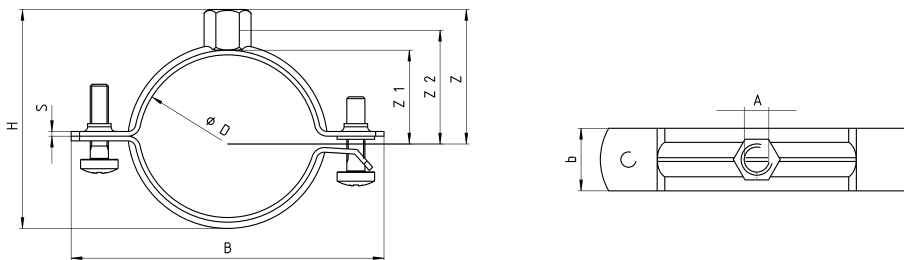
## ADVANTAGES/BENEFITS

- Simple installation due to large opening angle.
- Locking screw secured against loss.
- Combination connecting thread for cost-effective warehousing and flexibility at the construction site.

## INSTALLATION



## TECHNICAL DATA



| Item                    | Galvanized<br>Art.-NO. | Dacromet<br>Art.-NO. | Qty. per<br>box<br>pcs. | Size<br>(inch) | Clamping<br>range<br>D<br>(mm) | s x b<br>(mm) | Screw<br>M | Thread<br>diameter<br>A<br>(mm) | Recommended<br>load<br>N <sub>rec</sub><br>(kN) | Design<br>load<br>N <sub>d</sub><br>(kN) |
|-------------------------|------------------------|----------------------|-------------------------|----------------|--------------------------------|---------------|------------|---------------------------------|---|--|
| FRSR-N 11-14 M8 / M10   | 549800                 | 560315               | 100                     | 1/4"           | 11-14                          | 1.2 x 20      | M5 x 16    | M8+M10                          | 0.85  | 1.19                                     |
| FRSR-N 15-19M8 / M10    | 549801                 | 560316               | 100                     | 3/8"           | 15-19                          | 1.2 x 20      | M5 x 16    | M8+M10                          | 0.85  | 1.19                                     |
| FRSR-N 20-25 M8 / M10   | 549802                 | 560317               | 100                     | 1/2"           | 20-25                          | 1.2 x 20      | M5 x 16    | M8+M10                          | 0.85  | 1.19                                     |
| FRSR-N 26-30 M8 / M10   | 549803                 | 560318               | 100                     | 3/4"           | 26-30                          | 1.2 x 20      | M5 x 16    | M8+M10                          | 0.85  | 1.19                                     |
| FRSR-N 32-36 M8 / M10   | 549804                 | 560319               | 100                     | 1"             | 32-36                          | 1.2 x 20      | M5 x 16    | M8+M10                          | 0.85  | 1.19                                     |
| FRSR-N 38-43 M8 / M10   | 549805                 | 560320               | 50                      | 1-1/4"         | 38-43                          | 1.2 x 20      | M5 x 20    | M8+M10                          | 0.85  | 1.19                                     |
| FRSR-N 47-51 M8 / M10   | 549806                 | 560321               | 50                      | 1-1/2"         | 47-51                          | 1.2 x 20      | M5 x 20    | M8+M10                          | 0.85  | 1.19                                     |
| FRSR-N 53-58 M8 / M10   | 549807                 | 560322               | 50                      | -              | 53-58                          | 1.2 x 20      | M5 x 20    | M8+M10                          | 0.85  | 1.19                                     |
| FRSR-N 60-64 M8 / M10   | 549808                 | 560323               | 50                      | 2"             | 60-64                          | 1.2 x 20      | M5 x 20    | M8+M10                          | 0.85  | 1.19                                     |
| FRSR-N 63-67 M8 / M10   | 549809                 | 560324               | 25                      | 65             | 63-67                          | 1.2 x 20      | M5 x 20    | M8+M10                          | 0.85  | 1.19                                     |
| FRSR-N 68-72 M8 / M10   | 549810                 | 560325               | 25                      | -              | 68-72                          | 1.5 x 20      | M6 x 20    | M8+M10                          | 0.85  | 1.19                                     |
| FRSR-N 75-80 M8 / M10   | 549811                 | 560326               | 25                      | 2-1/2"         | 75-80                          | 1.5 x 20      | M6 x 20    | M8+M10                          | 0.85  | 1.19                                     |
| FRSR-N 81-86 M8 / M10   | 549812                 | 560327               | 25                      | -              | 81-86                          | 1.5 x 20      | M6 x 20    | M8+M10                          | 1.6   | 2.24                                     |
| FRSR-N 87-92 M8 / M10   | 549813                 | 560328               | 25                      | 3"             | 87-92                          | 1.5 x 20      | M6 x 20    | M8+M10                          | 1.6   | 2.24                                     |
| FRSR-N 99-105 M8 / M10  | 549814                 | 560329               | 20                      | 3-1/2"         | 99-105                         | 2.0 x 20      | M6 x 20    | M8+M10                          | 1.6   | 2.24                                     |
| FRSR-N 107-112 M8 / M10 | 549815                 | 560330               | 20                      | -              | 107-112                        | 2.0 x 20      | M6 x 20    | M8+M10                          | 1.6   | 2.24                                     |
| FRSR-N 113-118 M8 / M10 | 549816                 | 560331               | 10                      | 4"             | 113-118                        | 2.0 x 20      | M6 x 20    | M6 x 20                         | 2.2   | 3.08                                     |
| FRSR-N 125-130 M8 / M10 | 549817                 | 560332               | 10                      | -              | 125-130                        | 2.0 x 20      | M6 x 20    | M8+M10                          | 2.2   | 3.08                                     |
| FRSR-N 131-137 M8 / M10 | 560274                 | 560333               | 10                      | -              | 131-137                        | 2.0 x 20      | M6 x 20    | M6 x 20                         | 2.2   | 3.08                                     |
| FRSR-N 138-142 M8 / M10 | 549818                 | 560334               | 10                      | 5"             | 138-142                        | 2.0 x 20      | M6 x 20    | M8+M10                          | 2.2   | 3.08                                     |
| FRSR-N 148-153 M8 / M10 | 560275                 | 560335               | 10                      | -              | 148-153                        | 2.0 x 20      | M6 x 20    | M6 x 20                         | 2.2   | 3.08                                     |
| FRSR-N 159-166 M8 / M10 | 549819                 | 560336               | 8                       | 6"             | 159-166                        | 2.0 x 20      | M6 x 20    | M8+M10                          | 2.2   | 3.08                                     |
| FRSR-N 168-172 M8 / M10 | 560276                 | 560337               | 8                       | -              | 168-172                        | 2.0 x 20      | M6 x 20    | M6 x 20                         | 2.2   | 3.08                                     |
| FRSR-N 175-183 M8 / M10 | 560281                 | 560344               | 8                       | -              | 175-183                        | 2.0 x 20      | M6 x 20    | M6 x 20                         | 2.2   | 3.08                                     |
| FRSR-N 193-203 M8 / M10 | 560277                 | 560338               | 8                       | -              | 193-203                        | 2.0 x 20      | M6 x 20    | M6 x 20                         | 2.2   | 3.08                                     |
| FRSR-N 200-212 M8 / M10 | 549820                 | 560339               | 8                       | -              | 200-212                        | 2.0 x 20      | M6 x 20    | M8+M10                          | 2.5   | 3.5                                      |
| FRSR-N 215-220 M8 / M10 | 549821                 | 560340               | 8                       | 8"             | 215-220                        | 2.0 x 20      | M6 x 20    | M8+M10                          | 2.5   | 3.5                                      |
| FRSR-N 249-253 M8 / M10 | 560278                 | 560341               | 8                       | -              | 249-253                        | 2.0 x 20      | M6 x 20    | M6 x 20                         | 2.5   | 3.5                                      |
| FRSR-N 292-296 M8 / M10 | 560282                 | 560344               | 8                       | -              | 292-296                        | 2.0 x 20      | M6 x 20    | M6 x 20                         | 2.5   | 3.5                                      |
| FRSR-N 313-318 M8 / M10 | 560279                 | 560342               | 8                       | -              | 313-318                        | 2.0 x 20      | M6 x 20    | M6 x 20                         | 2.5   | 3.5                                      |
| FRSR-N 320-328 M8 / M10 | 560280                 | 560343               | 8                       | -              | 320-328                        | 2.0 x 20      | M6 x 20    | M6 x 20                         | 2.5   | 3.5                                      |



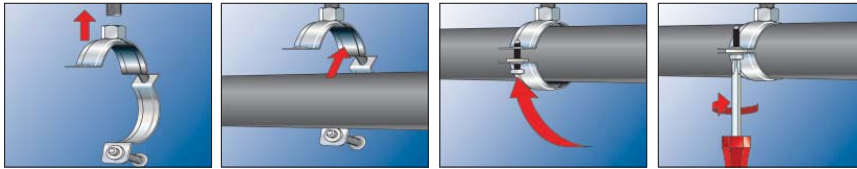
## PROPERTIES

- **Material:** Steel DD11 (material no. 1.0332 acc. to DIN EN 10111)
- **Zinc plating:** Electro zinc plated 5 - 9 µm
- **Standard:** comply with ASTM B633 SC1
- **Connecting nut:** resistance welded, M8 and M8/M10 SW 13, M10/M12 SW 17
- **Locking screw:** Flat head screw with combination recessed head

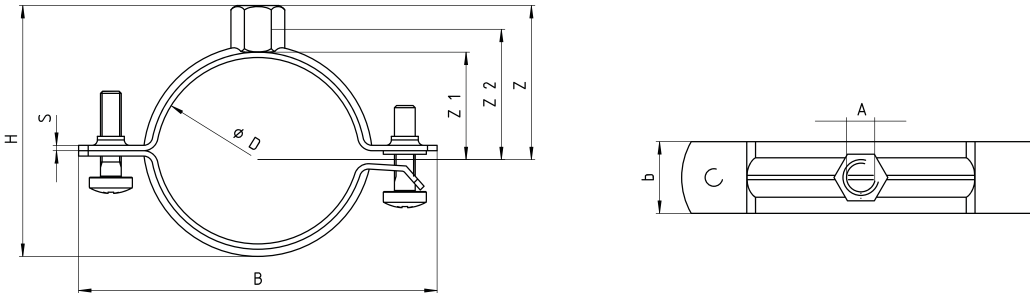
## ADVANTAGES/BENEFITS

- The FRSN without the sound insulation insert is ideal for use in industrial applications and plastic pipes
- The combination connecting nut with thread M8/M10 allows for optimised mounting choices
- The two screws allow for ideal adaptation to suit the outer pipe diameter
- The screws' safety feature ensures trouble-free installation

## INSTALLATION



## TECHNICAL DATA



| Item                   | Art.-NO.              | Thread<br>A | Size<br>(inch) | Clamping<br>range<br>D<br>(mm) | Width B<br>B<br>(mm) | Height H<br>H<br>(mm) | b x s<br>(mm) | Hight Z<br>Z<br>(mm) | Locking<br>Screw | Recommended<br>load<br>N <sub>rec</sub><br>(kN) | Design<br>load<br>N <sub>d</sub><br>(kN) | Sales unit<br>(pcs) |
|------------------------|-----------------------|-------------|----------------|--------------------------------|----------------------|-----------------------|---------------|----------------------|------------------|---|--|---------------------|
| FRSN 15 - 19 M8/M10    | 049459                | M 8/M 10    | 3/8"           | 15-19                          | 56                   | 37                    | 20 x 1.5      | 27                   | M 6              | 1.50  | 2.10                                     | 100                 |
| FRSN 21 - 23 M8/M10    | 049789                | M 8/M 10    | 1/2"           | 21-23                          | 60                   | 41                    | 20 x 1.5      | 28                   | M 6              | 1.50  | 2.10                                     | 100                 |
| FRSN 25 - 28 M8/M10    | 049790                | M 8/M 10    | 3/4"           | 25-28                          | 67                   | 46                    | 20 x 1.5      | 30                   | M 6              | 1.50  | 2.10                                     | 100                 |
| FRSN 32 - 36 M8/M10    | 049793                | M 8/M 10    | 1"             | 32-36                          | 74                   | 54                    | 20 x 1.5      | 34                   | M 6              | 1.50  | 2.10                                     | 100                 |
| FRSN 38 - 43 M8/M10    | 049794                | M 8/M 10    | 1-1/4"         | 38-43                          | 78                   | 61                    | 20 x 1.5      | 38                   | M 6              | 1.50  | 2.10                                     | 50                  |
| FRSN 44 - 49 M8/M10    | 049902                | M 8/M 10    | 1-1/2"         | 44-49                          | 88                   | 67                    | 20 x 1.5      | 41                   | M 6              | 1.50  | 2.10                                     | 50                  |
| FRSN 50 - 56 M8/M10    | 049922                | M 8/M 10    | -              | 50-56                          | 92                   | 74                    | 20 x 1.5      | 43                   | M 6 x 16         | 1.50  | 2.10                                     | 50                  |
| FRSN 57 - 61 M8/M10    | 049944                | M 8/M 10    | 2"             | 57-61                          | 98                   | 79                    | 20 x 1.5      | 47                   | M 6              | 1.50  | 2.10                                     | 50                  |
| FRSN 63 - 70 M8/M10    | 049945                | M 8/M 10    | -              | 63-70                          | 105                  | 88                    | 20 x 1.5      | 54                   | M 6              | 1.50  | 2.10                                     | 50                  |
| FRSN 70 - 77 M8/M10    | 049947                | M 8/M 10    | 2-1/2"         | 70-77                          | 112                  | 95                    | 20 x 1.5      | 55                   | M 6              | 1.50  | 2.10                                     | 25                  |
| FRSN 80 - 83 M8/M10    | 049948                | M 8/M 10    | -              | 80-83                          | 116                  | 101                   | 20 x 1.5      | 58                   | M 6              | 1.50  | 2.10                                     | 25                  |
| FRSN 83 - 91 M8/M10    | 049979                | M 8/M 10    | 3"             | 83-91                          | 128                  | 111                   | 20 x 2.0      | 63                   | M 6              | 2.50  | 3.50                                     | 25                  |
| FRSN 100 - 106 M8/M10  | 050006                | M 8/M 10    | -              | 100-106                        | 143                  | 126                   | 20 x 2.0      | 70                   | M 6              | 2.50  | 3.50                                     | 25                  |
| FRSN 108 - 114 M8/M10  | 050008                | M 8/M 10    | 4"             | 108-114                        | 156                  | 134                   | 20 x 2.0      | 75                   | M 6              | 2.50  | 3.50                                     | 25                  |
| FRSN 118 - 122 M8/M10  | 500744                | M 8/M 10    | -              | 118-122                        | 160                  | 142                   | 20 x 2.0      | 78                   | M 6              | 2.50  | 3.50                                     | 25                  |
| FRSN 123 - 128 M8/M10  | 050009                | M 8/M 10    | -              | 123-128                        | 173                  | 149                   | 25 x 2.5      | 82                   | M 6              | 2.50  | 3.50                                     | 25                  |
| FRSN 131 - 136 M8/M10  | 050010                | M 8/M 10    | -              | 131-136                        | 176                  | 157                   | 25 x 2.5      | 86                   | M 6              | 2.50  | 3.50                                     | 25                  |
| FRSN 137 - 146 M8/M10  | 050023                | M 8/M 10    | 5"             | 137-146                        | 180                  | 167                   | 25 x 2.5      | 91                   | M 6              | 2.50  | 3.50                                     | 25                  |
| FRSN 146 - 156 M8/M10  | 500746                | M 8/M 10    | -              | 146-156                        | 195                  | 177                   | 25 x 2.5      | 96                   | M 6              | 2.50  | 3.50                                     | 25                  |
| FRSN 159 - 165 M10/M12 | 500747                | M 10/M 12   | -              | 159-165                        | 203                  | 191                   | 25 x 2.5      | 106                  | M 6              | 2.50  | 3.50                                     | 25                  |
| FRSN 166 - 175 M10/M12 | 500748 <sup>(1)</sup> | M 10/M 12   | -              | 166-175                        | 211                  | 201                   | 25 x 2.5      | 110                  | M 8              | 2.50  | 3.50                                     | 20                  |
| FRSN 200 - 206 M10/M12 | 500751 <sup>(1)</sup> | M 10/M 12   | -              | 200-206                        | 248                  | 232                   | 25 x 2.5      | 126                  | M 8              | 2.50  | 3.50                                     | 10                  |
| FRSN 210 - 219 M10/M12 | 500752 <sup>(1)</sup> | M 10/M 12   | 8"             | 210-219                        | 261                  | 245                   | 25 x 2.5      | 133                  | M 8              | 2.50  | 3.50                                     | 10                  |

(1) The band of the clamp is perforated from Ø 166 and connected with locking screw and nut.



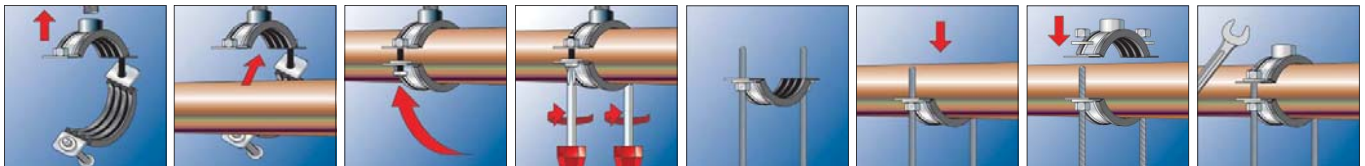
## PROPERTIES

- **Material:** Steel DD11 (material no. 1.0332 acc. to DIN EN 10111)
- **Zinc plating:** Electro zinc plated 5 - 9 µm  
Also available in HDG on request.
- **Connecting nut:** M 10/M 12 = SW 17, M 12/ M 16 = SW 22, M 16 = SW 24
- **Material Sound insulation insert:** EPDM; chlorine-free; silicone-free
- **Temperature range:** -50 °C to +110 °C
- **Hardness:** 45 ± 5° Shore A
- **Fire behaviour:** DIN 4102: Class B2

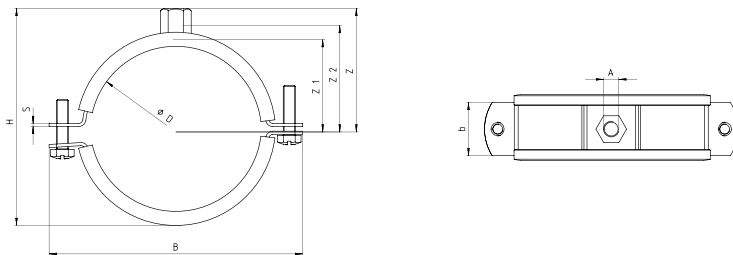
## ADVANTAGES/BENEFITS

- High tested loads guarantees safe functioning of the FRSM
- The combination connecting nut with thread M10/M12, M12/M16 or M16 allows for optimised mounting choices
- From Ø 124 mm it is possible to install with 2 threaded rods, e.g. for the fixing of cast iron roof drainage pipes
- The two screws allow for easy adjustment to suit the outer pipe diameter
- The screws' safety features ensures trouble-free installation

## INSTALLATION



## TECHNICAL DATA



| Item                   | Art.-NO.             | Thread<br>A | Size<br>(inch) | Clamping<br>range<br>D<br>(mm) | Width B<br>B<br>(mm) | Height H<br>H<br>(mm) | b x s<br>(mm) | Hight Z<br>Z<br>(mm) | Locking<br>Screw | Recommended<br>load<br>N <sub>rec</sub><br>(kN) | Design<br>load<br>N <sub>d</sub><br>(kN) | Sales unit<br>(pcs) |
|------------------------|----------------------|-------------|----------------|--------------------------------|----------------------|-----------------------|---------------|----------------------|------------------|---|--|---------------------|
| FRSM 1/2" M10/M12      | 504589               | M 10/M 12   | 1/2"           | 19-23                          | 76                   | 57                    | 25 x 2.5      | 39                   | M 6              | 2.50  | 3.50                                     | 50                  |
| FRSM 3/4" M10/M12      | 504590               | M 10/M 12   | 3/4"           | 24-29                          | 80                   | 63                    | 25 x 2.5      | 42                   | M 6              | 2.50  | 3.50                                     | 50                  |
| FRSM 1" M10/M12        | 504591               | M 10/M 12   | 1"             | 33-36                          | 89                   | 70                    | 25 x 2.5      | 45                   | M 6              | 2.50  | 3.50                                     | 50                  |
| FRSM 1 1/4" M10/M12    | 504592               | M 10/M 12   | 1-1/4"         | 40-45                          | 98                   | 79                    | 25 x 2.5      | 50                   | M 6              | 2.50  | 3.50                                     | 20                  |
| FRSM 1 1/2" M10/M12    | 093700               | M 10/M 12   | 1-1/2"         | 47-52                          | 105                  | 86                    | 25 x 2.5      | 53                   | M 6              | 2.50  | 3.50                                     | 20                  |
| FRSM 53 - 58 M10/M12   | 093701               | M 10/M 12   | -              | 53-58                          | 111                  | 91                    | 25 x 2.5      | 55                   | M 6              | 2.50  | 3.50                                     | 20                  |
| FRSM 5" M10/M12        | 093702               | M 10/M 12   | 2"             | 60-65                          | 118                  | 99                    | 25 x 2.5      | 60                   | M 6              | 2.50  | 3.50                                     | 20                  |
| FRSM 2 1/2" M10/M12    | 093703               | M 10/M 12   | 2-1/2"         | 73-78                          | 136                  | 113                   | 30 x 3.0      | 67                   | M 8              | 3.00  | 4.20                                     | 20                  |
| FRSM 79 - 85 M10/M12   | 504593               | M 10/M 12   | -              | 79-85                          | 144                  | 120                   | 30 x 3.0      | 70                   | M 8              | 3.00  | 4.20                                     | 20                  |
| FRSM 3" M10/M12        | 093704               | M 10/M 12   | 3"             | 88-93                          | 152                  | 129                   | 30 x 3.0      | 75                   | M 8              | 3.00  | 4.20                                     | 20                  |
| FRSM 102 M10/M12       | 093705               | M 10/M 12   | -              | 100-106                        | 166                  | 142                   | 30 x 3.0      | 81                   | M 8              | 3.00  | 4.20                                     | 20                  |
| FRSM 4" M10/M12        | 093707               | M 10/M 12   | 4"             | 108-116                        | 175                  | 152                   | 30 x 3.0      | 86                   | M 8              | 3.00  | 4.20                                     | 20                  |
| FRSM 124 - 129 M10/M12 | 093709 <sup>1)</sup> | M 10/M 12   | -              | 124-129                        | 194                  | 165                   | 30 x 3.0      | 92                   | M 8              | 3.00  | 4.20                                     | 20                  |
| FRSM 133 M10/M12       | 093710 <sup>1)</sup> | M 10/M 12   | -              | 131-137                        | 202                  | 173                   | 30 x 3.0      | 97                   | M 8              | 3.00  | 4.20                                     | 20                  |
| FRSM 5" M10/M12        | 093711 <sup>1)</sup> | M 10/M 12   | 5"             | 138-145                        | 210                  | 180                   | 30 x 3.0      | 100                  | M 8              | 3.00  | 4.20                                     | 20                  |
| FRSM 160 M10/M12       | 093712 <sup>1)</sup> | M 10/M 12   | -              | 156-162                        | 227                  | 198                   | 30 x 3.0      | 109                  | M 8              | 3.00  | 4.20                                     | 20                  |
| FRSM 6" M10/M12        | 093713 <sup>1)</sup> | M 10/M 12   | 6"             | 165-171                        | 255                  | 207                   | 30 x 3.0      | 114                  | M 8              | 3.00  | 4.20                                     | 20                  |
| FRSM 7" M10/M12        | 093714 <sup>1)</sup> | M 10/M 12   | 7"             | 188-194                        | 278                  | 230                   | 30 x 3.0      | 125                  | M 8              | 3.00  | 4.20                                     | 10                  |
| FRSM 200 M10/M12       | 093715 <sup>1)</sup> | M 10/M 12   | -              | 196-203                        | 287                  | 239                   | 30 x 3.0      | 130                  | M 8              | 3.00  | 4.20                                     | 10                  |
| FRSM 212 M12/M16       | 505453 <sup>1)</sup> | M 12/M 16   | -              | 205-214                        | 289                  | 264                   | 40 x 4.0      | 147                  | M 12             | 5.00  | 7.00                                     | 10                  |
| FRSM 8" M12/M16        | 505454 <sup>1)</sup> | M 12/M 16   | 8"             | 219-225                        | 300                  | 272                   | 40 x 4.0      | 152                  | M 12             | 5.00  | 7.00                                     | 10                  |
| FRSM 250 M12/M16       | 505455 <sup>1)</sup> | M 12/M 16   | -              | 244-250                        | 325                  | 300                   | 40 x 4.0      | 165                  | M 12             | 5.00  | 7.00                                     | 10                  |
| FRSM 10" M12/M16       | 505456 <sup>1)</sup> | M 12/M 16   | 10"            | 267-273                        | 348                  | 323                   | 40 x 4.0      | 177                  | M 12             | 5.00  | 7.00                                     | 10                  |
| FRSM 300 M12/M16       | 505457 <sup>1)</sup> | M 12/M 16   | -              | 297-304                        | 379                  | 354                   | 40 x 4.0      | 192                  | M 12             | 5.00  | 7.00                                     | 10                  |
| FRSM 12" M12/M16       | 505458 <sup>1)</sup> | M 12/M 16   | 12"            | 320-328                        | 403                  | 378                   | 40 x 4.0      | 204                  | M 12             | 5.00  | 7.00                                     | 10                  |
| FRSM 348 - 356 M16     | 504594 <sup>1)</sup> | M 16        | -              | 348-356                        | 480                  | 403                   | 50 x 5.0      | 213                  | M 16             | 8.00  | 11.20                                    | 1                   |
| FRSM 364 - 372 M16     | 504595 <sup>1)</sup> | M 16        | -              | 364-372                        | 496                  | 419                   | 50 x 5.0      | 221                  | M 16             | 8.00  | 11.20                                    | 1                   |
| FRSM 400 - 409 M16     | 504596 <sup>1)</sup> | M 16        | -              | 400-409                        | 533                  | 456                   | 50 x 5.0      | 240                  | M 16             | 8.00  | 11.20                                    | 1                   |
| FRSM 454 - 462 M16     | 504597 <sup>1)</sup> | M 16        | -              | 454-462                        | 586                  | 509                   | 50 x 5.0      | 266                  | M 16             | 8.00  | 11.20                                    | 1                   |
| FRSM 500 - 508 M16     | 504598 <sup>1)</sup> | M 16        | -              | 500-508                        | 632                  | 555                   | 50 x 5.0      | 290                  | M 16             | 8.00  | 11.20                                    | 1                   |

(1) The bond of the clamp is perforated from Ø 124 and connected with locking screw and nut.



## PROPERTIES

- **Material:** Carbon Steel Q 235
- **Zinc plating:** Electro zinc plated 5 - 9  $\mu\text{m}$
- **Standard:** comply with ASTM B633 SC1
- Also available in SC3 on special request.
- Also available in green galvanization.

## ADVANTAGES/BENEFITS

- The FM-approval guarantees independantly tested safety for the use in sprinkler systems.
- The sprinkler loop with clearance hole for easy fixing with threaded rod and nut.
- The UL approval guarantees the use in firefighting and sprinklar applications
- Easy to install without tools

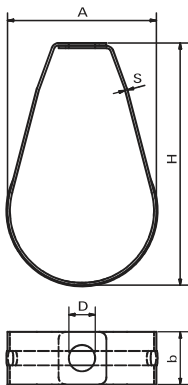
## APPROVALS



## INSTALLATION



## TECHNICAL DATA



| Item<br>(in)  | Galvanized | Green                  | Clamping<br>range<br>D<br>(mm) | Road size<br>RS<br>(mm) | Height<br>A<br>(mm) | Max. rec.<br>load<br>P<br>(kN) | Width<br>W<br>(mm) | Thickness<br>T<br>(mm) | Sale unit<br>(pcs.) |
|---------------|------------|------------------------|--------------------------------|-------------------------|---------------------|--------------------------------|--------------------|------------------------|---------------------|
|               | Art.-NO.   | galvanized<br>Art.-NO. |                                |                         |                     |                                |                    |                        |                     |
| FRSP C 1/2"   | 516662     | 560372                 | 19-23                          | M 10                    | 72                  | 1.3                            | 16                 | 1.2                    | 100                 |
| FRSP C 3/4"   | 516663     | 560373                 | 25-29                          | M 10                    | 78                  | 1.3                            | 16                 | 1.2                    | 100                 |
| FRSP C 1"     | 516664     | 560374                 | 33-36                          | M 10                    | 86                  | 1.3                            | 16                 | 1.2                    | 100                 |
| FRSP C 1-1/4" | 516665     | 560375                 | 40-45                          | M 10                    | 94                  | 1.3                            | 16                 | 1.2                    | 100                 |
| FRSP C 1-1/2" | 516666     | 560376                 | 47-52                          | M 10                    | 99                  | 1.3                            | 16                 | 1.2                    | 100                 |
| FRSP C 2"     | 516667     | 560377                 | 60-65                          | M 10                    | 109                 | 1.3                            | 16                 | 1.2                    | 100                 |
| FRSP C 2-1/2" | 516668     | 560378                 | 73-78                          | M 10                    | 141                 | 4.5                            | 19                 | 22                     | 60                  |
| FRSP C 3"     | 516669     | 560379                 | 88-93                          | M 10                    | 162                 | 4.5                            | 19                 | 22                     | 60                  |
| FRSP C 4"     | 516670     | 560380                 | 110-116                        | M 10                    | 195                 | 5.0                            | 19                 | 22                     | 24                  |
| FRSP C 5"     | 532356     | 560381                 | 138-145                        | M 12                    | 226                 | 5.0                            | 19                 | 2.5                    | 24                  |
| FRSP C 6"     | 516671     | 560382                 | 165-171                        | M 12                    | 267                 | 5.6                            | 19                 | 3                      | 24                  |
| FRSP C 8"     | 516672     | 560383                 | 217-221                        | M 12                    | 316                 | 5.6                            | 19                 | 3                      | 12                  |



Heavy pipe suspended support

## PROPERTIES

- **Material:** Carbon Steel Q 235
- **Zinc plating:** Electro zinc plated 5 - 9 µm
- **Standard:** comply with ASTM B633 SC 1
- Also available in SC3 on special request.
- Also available in green galvazation.
- Comply with MSS SP 69/MSS SP 68 Type-1
- Sizes for CHW pipe available on request.

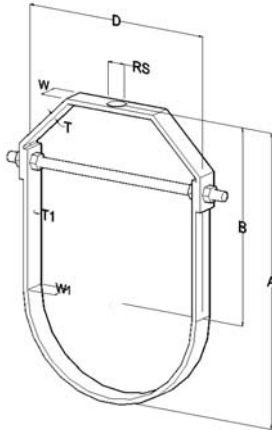
## ADVANTAGES/BENEFITS

Heavy duty Clevis Hanger.  
Designed for chilled water pipe work and fire fighting systems.  
Design allows vertical adjustment of pipe after installation.  
Nuts above Clevis must be tightened securely to ensure proper hanger performance.

## APPROVALS



## TECHNICAL DATA



| Item       | Galvanized | Green galvanized | Clamping range D (mm) | Road size RS (mm) | Height A (mm) | Distance center to top B (mm) | Max. rec. load (kN) | W (mm) | T (mm) | W-1 (mm) | T-1 (mm) | Sales unit (pcs.) |
|------------|------------|------------------|-----------------------|-------------------|---------------|-------------------------------|---------------------|--------|--------|----------|----------|-------------------|
|            | Art.-NO.   | Art.-NO.         |                       |                   |               |                               |                     |        |        |          |          |                   |
| FCH 1/2"   | 532187     | 560346           | 19-23                 | M 10              | 51            | 37.6                          | 2.7                 | 19     | 2.5    | 19       | 2        | 150               |
| FCH 3/4"   | 532190     | 560347           | 25-29                 | M 10              | 58.4          | 42.3                          | 2.7                 | 19     | 2.5    | 19       | 2        | 120               |
| FCH 1      | 532195     | 560348           | 33-36                 | M 10              | 70            | 50.5                          | 2.7                 | 19     | 2.5    | 19       | 2        | 120               |
| FCH 1-1/4" | 532197     | 560349           | 40-45                 | M 10              | 84            | 59.9                          | 2.7                 | 25     | 2.5    | 25       | 2        | 56                |
| FCH 1-1/2" | 532198     | 560350           | 47-52                 | M 10              | 100           | 72.9                          | 2.7                 | 25     | 2.5    | 25       | 2        | 56                |
| FCH 2"     | 516695     | 560351           | 60-65                 | M 10              | 114.3         | 81.2                          | 2.7                 | 25     | 3      | 25       | 2        | 56                |
| FCH 2-1/2" | 516696     | 560352           | 71-75                 | M 12              | 132.7         | 92.7                          | 5.0                 | 30     | 3      | 30       | 2.5      | 60                |
| FCH 3"     | 516697     | 560353           | 87-92                 | M 12              | 152.6         | 104.4                         | 5.0                 | 30     | 3.5    | 30       | 2.5      | 48                |
| FCH 4"     | 516699     | 560354           | 110-116               | M 16              | 192           | 130.4                         | 5.0                 | 30     | 5      | 30       | 3        | 24                |
| FCH 5"     | 516700     | 560355           | 138-145               | M 16              | 237.8         | 161.4                         | 6.4                 | 30     | 6      | 30       | 4        | 24                |
| FCH 6"     | 516701     | 560356           | 165-171               | M 20              | 272.3         | 181.2                         | 8.6                 | 38     | 8      | 38       | 5        | 12                |
| FCH 8"     | 516702     | 560357           | 217-221               | M 20              | 333.4         | 216.4                         | 8.9                 | 38     | 9      | 38       | 5        | 6                 |
| * FCH 10"  | 516703     | 560358           | 271-275               | M 20              | 400           | 254.5                         | 16.0                | 50     | 9      | 50       | 6        | 2                 |
| * FCH 12"  | 516704     | 560359           | 321-326               | M 20              | 479.1         | 308.2                         | 16.9                | 50     | 9      | 50       | 6        | 2                 |

(1) \* 516703, 516704 approvals not available



## PROPERTIES

- **Material:** Carbon Steel Q 235
- **Zinc plating:** Electro zinc plated 5 - 9 µm
- **Standard:** comply with ASTM B633 SC1
- Also available in SC3 on special request.
- Also available in green galvization.
- Comply with MSS SP 69/MSS SP 68 Type-42

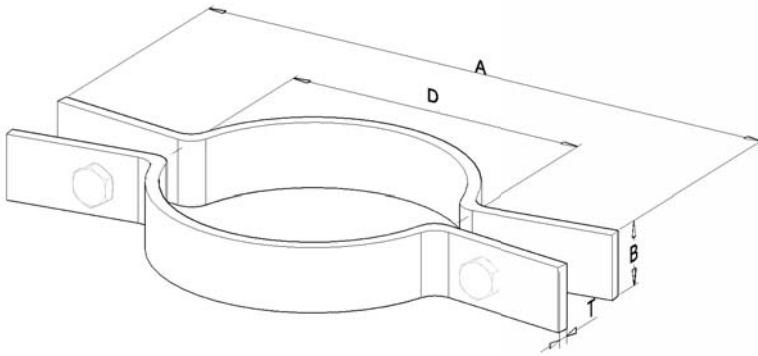
## ADVANTAGES/BENEFITS

- Riser clamps are used for support of vertical piping by friction, no welding required on pipe.
- The UL approval guarantees tested safety for fire fighting riser pipes.
- Comply with manufacturer's standardization society MSS SP 69/MSS SP 68

## APPROVALS



## TECHNICAL DATA



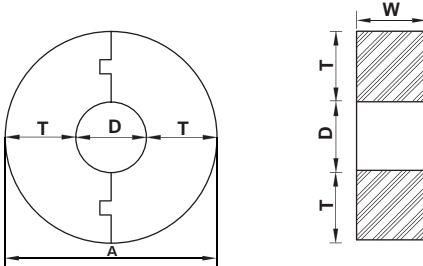
| Item        | Galvanized<br>Art.-NO. | Green<br>galvanized<br>Art.-NO. | Clamping range<br>D<br>(mm) | Bolt size<br>(mm) | Width<br>A<br>(mm) | Bolt<br>diameter<br>B<br>(mm) | Max. rec.<br>load<br>(kN) | T<br>(mm) | Torque<br>(N.m) | Sales unit<br>(pcs.) |
|-------------|------------------------|---------------------------------|-----------------------------|-------------------|--------------------|-------------------------------|---------------------------|-----------|-----------------|----------------------|
| RCWR 1/2"   | 516673                 | 560360                          | 19-23                       | M 10              | 215                | 25                            | 1.0                       | 5         | 41              | 35                   |
| RCWR 3/4"   | 516674                 | 560361                          | 24-28                       | M 10              | 228,5              | 25                            | 1.0                       | 5         | 41              | 30                   |
| RCWR 1"     | 516675                 | 560362                          | 31-35                       | M 10              | 229,5              | 25                            | 1.0                       | 5         | 31              | 25                   |
| RCWR 1-1/4" | 516676                 | 560363                          | 40-44                       | M 10              | 240,5              | 25                            | 1.1                       | 5         | 31              | 25                   |
| RCWR 1-1/2" | 516677                 | 560364                          | 46-50                       | M 10              | 251                | 25                            | 1.1                       | 3         | 31              | 25                   |
| RCWR 2"     | 516678                 | 560365                          | 56 - 61                     | M 10              | 261,6              | 30                            | 1.3                       | 5         | 31              | 25                   |
| RCWR 2-1/2" | 532380                 | 560366                          | 75 - 80                     | M 10              | 281,3              | 30                            | 1.8                       | 5         | 31              | 25                   |
| RCWR 3"     | 516679                 | 560367                          | 88 - 93                     | M 10              | 298,5              | 30                            | 2.2                       | 5         | 45              | 20                   |
| RCWR 4"     | 516680                 | 560368                          | 108 - 115                   | M 12              | 328,6              | 38                            | 3.3                       | 6         | 75              | 12                   |
| RCWR 5"     | 516681                 | 560369                          | 133 - 140                   | M 12              | 362                | 38                            | 6.7                       | 6         | 75              | 12                   |
| RCWR 6"     | 516682                 | 560370                          | 167 - 172                   | M 12              | 393,7              | 50                            | 7.1                       | 6         | 75              | 8                    |
| RCWR 8"     | 516683                 | 560371                          | 219 - 225                   | M 16              | 463,5              | 50                            | 11.1                      | 9,5       | 129             | 4                    |



## PROPERTIES

- Density: 1268 kg/m<sup>3</sup>
- Thermal conductivity: 0.219 W/m.k
- Temperature range: from 0 to 50° C
- BS-3974-1 : 1974

## TECHNICAL DATA



| Si.No. | Nom. Pipe size in | D (mm) | T= 19.0 |                   |        |        | T= 25.0 |                   |        |        | T= 32.0 |                   |        |        | T= 38.0 |                   |        |        |
|--------|-------------------|--------|---------|-------------------|--------|--------|---------|-------------------|--------|--------|---------|-------------------|--------|--------|---------|-------------------|--------|--------|
|        |                   |        | Art.No. | Sales unit (pcs.) | W (mm) | A (mm) | Art.No. | Sales unit (pcs.) | W (mm) | A (mm) | Art.No. | Sales unit (pcs.) | W (mm) | A (mm) | Art.No. | Sales unit (pcs.) | W (mm) | A (mm) |
| 1.     | 1/2"              | 21.3   | 549822  | 250               | 30     | 59     | 532357  | 180               | 30     | 71     | 549842  | 108               | 30     | 85     | 532833  | 120               | 30     | 97     |
| 2.     | 3/4"              | 26.7   | 549823  | 184               | 30     | 65     | 532358  | 160               | 30     | 77     | 549843  | 108               | 30     | 91     | 532834  | 90                | 30     | 103    |
| 3.     | 1"                | 33.4   | 549824  | 160               | 30     | 71     | 532359  | 120               | 30     | 83     | 549844  | 90                | 30     | 97     | 532835  | 60                | 30     | 109    |
| 4.     | 1-1/4"            | 42.1   | 549825  | 126               | 30     | 80     | 532360  | 100               | 30     | 92     | 549845  | 62                | 30     | 106    | 532836  | 50                | 30     | 118    |
| 5.     | 1-1/2"            | 48.2   | 549826  | 108               | 30     | 86     | 532361  | 90                | 30     | 98     | 549846  | 62                | 30     | 112    | 532837  | 50                | 30     | 124    |
| 6.     | 2"                | 60.3   | 549827  | 90                | 30     | 98     | 532362  | 60                | 30     | 110    | 549847  | 56                | 30     | 124    | 532838  | 40                | 30     | 136    |
| 7.     | 2-1/2"            | 73.0   | 549828  | 44                | 38     | 111    | 532363  | 35                | 38     | 123    | 549848  | 28                | 38     | 137    | 532839  | 28                | 38     | 149    |
| 8.     | 3"                | 89.9   | 549829  | 36                | 38     | 127    | 532364  | 28                | 38     | 139    | 549849  | 15                | 38     | 153    | 532840  | 13                | 38     | 165    |
| 9.     | 3-1/2"            | 102.6  | 549830  | 32                | 38     | 140    | 532365  | 28                | 38     | 152    | 549850  | 13                | 38     | 166    | 532841  | 13                | 38     | 178    |
| 10.    | 4"                | 114.3  | 549831  | 28                | 38     | 152    | 532366  | 24                | 38     | 164    | 549851  | 13                | 38     | 178    | 532842  | 13                | 38     | 190    |
| 11.    | 5"                | 141.3  | 549832  | 13                | 38     | 179    | 532367  | 13                | 38     | 191    | 549852  | 11                | 38     | 205    | 532843  | 11                | 38     | 217    |
| 12.    | 6"                | 168.3  | 549833  | 9                 | 50     | 206    | 532369  | 7                 | 50     | 218    | 549853  | 7                 | 50     | 232    | 532844  | 7                 | 50     | 244    |
| 13.    | 8"                | 219.1  | 549834  | 5                 | 50     | 257    | 532370  | 5                 | 50     | 269    | 549854  | 5                 | 50     | 283    | 532845  | 5                 | 50     | 295    |
| 14.    | 10"               | 273.0  | 549835  | 5                 | 50     | 311    | 532371  | 5                 | 50     | 323    | 549855  | 5                 | 50     | 337    | 532846  | 5                 | 50     | 349    |
| 15.    | 12"               | 324.8  | 549836  | 5                 | 50     | 362    | 532373  | 5                 | 50     | 374    | 549856  | 5                 | 50     | 388    | 532847  | 5                 | 50     | 400    |
| 16.    | 14"               | 356.6  | 549837  | 5                 | 50     | 394    | 532374  | 5                 | 50     | 406    | 549857  | 5                 | 50     | 420    | 532848  | 5                 | 50     | 432    |
| 17.    | 16"               | 406.4  | 549838  | 1                 | 50     | 444    | 532375  | 1                 | 50     | 456    | 549858  | 1                 | 50     | 470    | 532849  | 1                 | 50     | 482    |
| 18.    | 18"               | 457.2  | 549839  | 1                 | 50     | 495    | 532376  | 1                 | 50     | 507    | 549859  | 1                 | 50     | 521    | 532850  | 1                 | 50     | 533    |
| 19.    | 20"               | 508.0  | 549840  | 1                 | 50     | 546    | 532377  | 1                 | 50     | 558    | 549860  | 1                 | 50     | 572    | 532851  | 1                 | 50     | 584    |
| 20.    | 24"               | 610.6  | 549841  | 1                 | 50     | 648    | 532378  | 1                 | 50     | 660    | 549861  | 1                 | 50     | 674    | 532852  | 1                 | 50     | 686    |

| Si.No. | Nom. Pipe size in | D (mm) | T= 50.0 |                   |        |        | T= 65.0 |                   |        |        | T= 75.0 |                   |        |        |
|--------|-------------------|--------|---------|-------------------|--------|--------|---------|-------------------|--------|--------|---------|-------------------|--------|--------|
|        |                   |        | Art.No. | Sales unit (pcs.) | W (mm) | A (mm) | Art.No. | Sales unit (pcs.) | W (mm) | A (mm) | Art.No. | Sales unit (pcs.) | W (mm) | A (mm) |
| 1.     | 1/2"              | 21.3   | 532853  | 64                | 30     | 121    | 533385  | 40                | 30     | 151    | 533405  | 20                | 30     | 171    |
| 2.     | 3/4"              | 26.7   | 532854  | 50                | 30     | 127    | 533386  | 40                | 30     | 157    | 533406  | 20                | 30     | 177    |
| 3.     | 1"                | 33.4   | 532855  | 40                | 30     | 133    | 533387  | 20                | 30     | 163    | 533407  | 20                | 30     | 183    |
| 4.     | 1-1/4"            | 42.1   | 532856  | 40                | 30     | 142    | 533388  | 18                | 30     | 172    | 533408  | 20                | 30     | 192    |
| 5.     | 1-1/2"            | 48.2   | 532857  | 40                | 30     | 148    | 533389  | 18                | 30     | 178    | 533409  | 18                | 30     | 198    |
| 6.     | 2"                | 60.3   | 532858  | 40                | 30     | 160    | 533390  | 18                | 30     | 190    | 533410  | 12                | 30     | 210    |
| 7.     | 2-1/2"            | 73.0   | 532859  | 16                | 38     | 173    | 533391  | 13                | 38     | 203    | 533411  | 11                | 38     | 223    |
| 8.     | 3"                | 89.9   | 532860  | 13                | 38     | 189    | 533392  | 11                | 38     | 219    | 533412  | 9                 | 38     | 239    |
| 9.     | 3-1/2"            | 102.6  | 532861  | 13                | 38     | 202    | 533393  | 9                 | 38     | 232    | 533413  | 9                 | 38     | 252    |
| 10.    | 4"                | 114.3  | 532862  | 12                | 38     | 214    | 533394  | 9                 | 38     | 244    | 533414  | 9                 | 38     | 264    |
| 11.    | 5"                | 141.3  | 532863  | 10                | 38     | 241    | 533395  | 7                 | 38     | 271    | 533415  | 7                 | 38     | 291    |
| 12.    | 6"                | 168.3  | 532864  | 7                 | 50     | 268    | 533396  | 5                 | 50     | 298    | 533416  | 5                 | 50     | 318    |
| 13.    | 8"                | 219.1  | 532865  | 5                 | 50     | 319    | 533397  | 5                 | 50     | 349    | 533417  | 5                 | 50     | 369    |
| 14.    | 10"               | 273.0  | 532866  | 5                 | 50     | 373    | 533398  | 5                 | 50     | 403    | 533418  | 5                 | 50     | 423    |
| 15.    | 12"               | 324.8  | 532867  | 5                 | 50     | 424    | 533399  | 5                 | 50     | 454    | 533419  | 5                 | 50     | 474    |
| 16.    | 14"               | 356.6  | 532868  | 5                 | 50     | 456    | 533400  | 1                 | 50     | 486    | 533420  | 1                 | 50     | 506    |
| 17.    | 16"               | 406.4  | 532869  | 1                 | 50     | 506    | 533401  | 1                 | 50     | 536    | 533421  | 1                 | 50     | 556    |
| 18.    | 18"               | 457.2  | 532870  | 1                 | 50     | 557    | 533402  | 1                 | 50     | 587    | 533422  | 1                 | 50     | 607    |
| 19.    | 20"               | 508.0  | 532871  | 1                 | 50     | 608    | 533403  | 1                 | 50     | 638    | 533423  | 1                 | 50     | 658    |
| 20.    | 24"               | 610.6  | 532872  | 1                 | 50     | 710    | 533404  | 1                 | 50     | 740    | 533424  | 1                 | 50     | 760    |





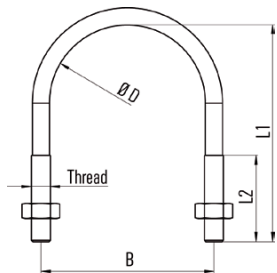
## PROPERTIES

- **Material:** Steel with min. tensile strength of 360 N/mm<sup>2</sup>
- **Zinc plating:** Electro zinc plated,  $\geq 5 \mu\text{m}$   
Also available with Rubber lining.

## ADVANTAGES/BENEFITS

- Good for use as a guide mounting.
- The U-Bolt's two nuts allows for ideal adaptation to suit the outer pipe diameter.

## TECHNICAL DATA



| Item                        | Art.-NO. | Qty. per box (pcs.) | Outer carton (pcs) | Thread | Size (inch) | Width  | Length              | Length              |
|-----------------------------|----------|---------------------|--------------------|--------|-------------|--------|---------------------|---------------------|
|                             |          |                     |                    |        |             | B (mm) | L <sub>1</sub> (mm) | L <sub>2</sub> (mm) |
| ETR 8 - 13                  | 024415   | 10                  | 100                | M 6    | 1/4"        | 20     | 30                  | 18                  |
| ETR 12 - 17                 | 024416   | 10                  | 100                | M 6    | 3/8"        | 24     | 35                  | 18                  |
| ETR 15 - 21                 | 024417   | 10                  | 100                | M 6    | 1/2"        | 28     | 40                  | 22                  |
| ETR 20 - 27                 | 024418   | 10                  | 50                 | M 8    | 3/4"        | 36     | 50                  | 30                  |
| ETR 26 - 34                 | 024419   | 10                  | 50                 | M 8    | 1"          | 43     | 55                  | 30                  |
| ETR 33 - 42                 | 024420   | 10                  | 50                 | M 8    | 1-1/4"      | 51     | 68                  | 35                  |
| ETR 40 - 49                 | 024421   | 10                  | 50                 | M 8    | 1-1/2"      | 58     | 70                  | 35                  |
| ETR 50 - 60                 | 024422   | 10                  | 50                 | M 8    | 2"          | 69     | 80                  | 35                  |
| ETR 60 - 70                 | 024423   | 10                  | 50                 | M 10   | -           | 82     | 100                 | 38                  |
| ETR 66 - 76                 | 024424   | 10                  | 50                 | M 10   | 2-1/2"      | 88     | 110                 | 45                  |
| ETR 70 - 82                 | 024425   | 10                  | 50                 | M 10   | -           | 94     | 115                 | 45                  |
| ETR 80 - 90                 | 024426   | 10                  | 50                 | M 10   | 3"          | 102    | 115                 | 45                  |
| ETR 90 - 102                | 024427   | 5                   | 50                 | M 12   | 3-1/2"      | 116    | 145                 | 50                  |
| ETR 100 - 108               | 024428   | 5                   | 50                 | M 12   | -           | 122    | 150                 | 50                  |
| ETR 102 - 114               | 024429   | 5                   | 50                 | M 12   | 4"          | 128    | 156                 | 55                  |
| ETR 121 - 127               | 024430   | 5                   | 50                 | M 12   | -           | 141    | 170                 | 55                  |
| ETR 126 - 133               | 024431   | 5                   | 50                 | M 12   | -           | 147    | 180                 | 65                  |
| ETR 131 - 140               | 024432   | 5                   | 25                 | M 14   | 5"          | 156    | 185                 | 65                  |
| ETR 143 - 153 <sup>1)</sup> | 024433   | 5                   | 25                 | M 14   | -           | 169    | 193                 | 65                  |
| ETR 150 - 159               | 024434   | 5                   | 25                 | M 14   | -           | 175    | 200                 | 65                  |
| ETR 168                     | 024435   | 5                   | 25                 | M 14   | 6"          | 184    | 210                 | 65                  |
| ETR 193.7                   | 024436   | 5                   | 25                 | M 14   | -           | 209    | 232                 | 65                  |
| ETR 219                     | 024437   | 5                   | 25                 | M 14   | 8"          | 236    | 270                 | 65                  |

<sup>1)</sup> Delivery time on request.

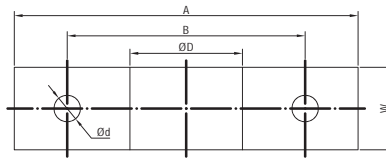
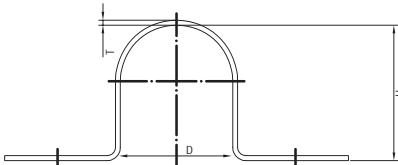


Suspended pipe support

## PROPERTIES

- **Material:** Carbon Steel Q 235
  - **Zinc plating:** Electro zinc plated 5 - 9 µm
  - **Standard:** comply with ASTM B633 SC1
- Also available in SC3 on special request.

## TECHNICAL DATA



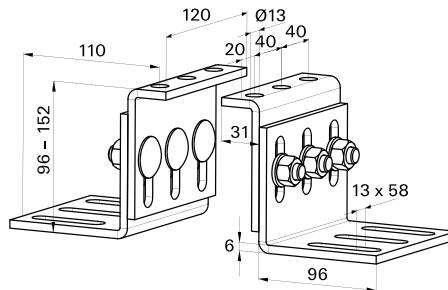
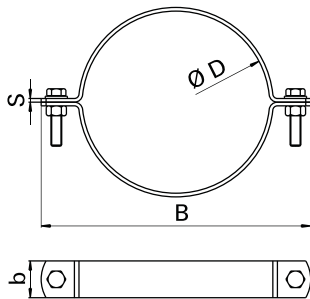
| Si.No. | Art. No. | D (mm) | A (mm) | B (mm) | t x w (mm) | Bolt size (mm) | Sales unit (pcs.) | Si.No. | Art. No. | D (mm) | A (mm) | B (mm) | t x w (mm) | Bolt size (mm) | Sales unit (pcs.) |
|--------|----------|--------|--------|--------|------------|----------------|-------------------|--------|----------|--------|--------|--------|------------|----------------|-------------------|
| 1.     | 541787   | 21     | 81     | 54     | 2 x 25     | 8              | 100               | 51.    | 541825   | 264    | 376    | 334    | 3 x 38     | 12             | 5                 |
| 2.     | 541788   | 27     | 87     | 60     | 2 x 25     | 8              | 100               | 52.    | 541826   | 268    | 380    | 338    | 3 x 38     | 12             | 5                 |
| 3.     | 541789   | 33     | 93     | 66     | 2 x 25     | 8              | 100               | 53.    | 541827   | 272    | 384    | 342    | 3 x 38     | 12             | 5                 |
| 4.     | 516708   | 42     | 102    | 75     | 2 x 25     | 8              | 100               | 54.    | 535123   | 283    | 395    | 353    | 3 x 38     | 12             | 5                 |
| 5.     | 516709   | 48     | 108    | 81     | 2 x 25     | 8              | 100               | 55.    | 535125   | 291    | 403    | 361    | 3 x 38     | 12             | 5                 |
| 6.     | 541790   | 59     | 119    | 92     | 2 x 25     | 8              | 100               | 56.    | 532406   | 295    | 407    | 365    | 3 x 38     | 12             | 3                 |
| 7.     | 541791   | 65     | 125    | 98     | 2 x 25     | 8              | 100               | 57.    | 541828   | 298    | 410    | 368    | 3 x 38     | 12             | -                 |
| 8.     | 535020   | 72     | 132    | 105    | 2 x 25     | 8              | 50                | 58.    | 541829   | 311    | 423    | 381    | 3 x 38     | 12             | 3                 |
| 9.     | 516711   | 76     | 172    | 136    | 2 x 25     | 10             | 50                | 59.    | 541830   | 318    | 430    | 388    | 3 x 38     | 12             | 3                 |
| 10.    | 541792   | 80     | 176    | 140    | 2 x 25     | 10             | 50                | 60.    | 532816   | 323    | 435    | 393    | 3 x 38     | 12             | 3                 |
| 11.    | 541793   | 84     | 180    | 144    | 2 x 25     | 10             | 30                | 61.    | 535128   | 337    | 449    | 407    | 4 x 50     | 12             | 3                 |
| 12.    | 541795   | 86     | 182    | 146    | 2 x 25     | 10             | 30                | 62.    | 541831   | 349    | 461    | 419    | 4 x 50     | 12             | 3                 |
| 13.    | 541796   | 89     | 185    | 149    | 2 x 25     | 10             | -                 | 63.    | 541832   | 355    | 467    | 425    | 4 x 50     | 12             | 3                 |
| 14.    | 541797   | 92     | 188    | 152    | 2 x 25     | 10             | -                 | 64.    | 541833   | 361    | 473    | 431    | 4 x 50     | 12             | 3                 |
| 15.    | 535022   | 98     | 194    | 158    | 2 x 25     | 10             | 30                | 65.    | 535131   | 369    | 481    | 439    | 4 x 50     | 12             | 3                 |
| 16.    | 541798   | 102    | 198    | 162    | 3 x 25     | 10             | 30                | 66.    | 541834   | 373    | 485    | 443    | 4 x 50     | 12             | 3                 |
| 17.    | 541799   | 106    | 202    | 166    | 3 x 25     | 10             | 30                | 67.    | 541835   | 387    | 499    | 457    | 4 x 50     | 12             | 3                 |
| 18.    | 541800   | 110    | 206    | 170    | 3 x 25     | 10             | 30                | 68.    | 535133   | 393    | 505    | 463    | 4 x 50     | 12             | 3                 |
| 19.    | 541801   | 114    | 210    | 174    | 3 x 25     | 10             | 30                | 69.    | 541836   | 399    | 511    | 469    | 4 x 50     | 12             | 3                 |
| 20.    | 541802   | 118    | 214    | 178    | 3 x 25     | 10             | 30                | 70.    | 541837   | 403    | 515    | 473    | 4 x 50     | 12             | -                 |
| 21.    | 541803   | 122    | 218    | 182    | 3 x 25     | 10             | -                 | 71.    | 541838   | 405    | 517    | 475    | 4 x 50     | 12             | 3                 |
| 22.    | 532394   | 126    | 222    | 186    | 3 x 25     | 10             | 30                | 72.    | 541839   | 419    | 531    | 489    | 4 x 50     | 12             | 3                 |
| 23.    | 541804   | 134    | 230    | 194    | 3 x 25     | 10             | 20                | 73.    | 541840   | 423    | 535    | 493    | 4 x 50     | 12             | -                 |
| 24.    | 541806   | 138    | 234    | 198    | 3 x 25     | 10             | -                 | 74.    | 541841   | 431    | 543    | 501    | 4 x 50     | 12             | 3                 |
| 25.    | 541807   | 141    | 237    | 201    | 3 x 25     | 10             | 20                | 75.    | 541842   | 444    | 556    | 514    | 4 x 50     | 12             | 3                 |
| 26.    | 532395   | 148    | 244    | 208    | 3 x 25     | 10             | 20                | 76.    | 541843   | 453    | 565    | 523    | 4 x 50     | 12             | -                 |
| 27.    | 541808   | 152    | 248    | 212    | 3 x 25     | 10             | -                 | 77.    | 532821   | 456    | 568    | 526    | 4 x 50     | 12             | 3                 |
| 28.    | 541809   | 156    | 252    | 216    | 3 x 25     | 10             | 20                | 78.    | 541844   | 470    | 582    | 540    | 4 x 50     | 12             | 3                 |
| 29.    | 541810   | 160    | 256    | 220    | 3 x 25     | 10             | -                 | 79.    | 541845   | 473    | 585    | 543    | 4 x 50     | 12             | -                 |
| 30.    | 541811   | 164    | 260    | 224    | 3 x 25     | 10             | 10                | 80.    | 541846   | 483    | 595    | 553    | 4 x 50     | 12             | 3                 |
| 31.    | 532397   | 168    | 264    | 228    | 3 x 25     | 10             | 10                | 81.    | 541847   | 495    | 607    | 565    | 4 x 50     | 12             | 3                 |
| 32.    | 535027   | 172    | 268    | 232    | 3 x 25     | 10             | 10                | 82.    | 541848   | 506    | 618    | 576    | 4 x 50     | 12             | 3                 |
| 33.    | 541812   | 177    | 273    | 237    | 3 x 25     | 10             | -                 | 83.    | 541849   | 521    | 633    | 591    | 4 x 50     | 12             | 3                 |
| 34.    | 532398   | 179    | 275    | 239    | 3 x 25     | 10             | 10                | 84.    | 532824   | 533    | 645    | 603    | 4 x 50     | 12             | 3                 |
| 35.    | 541813   | 183    | 279    | 243    | 3 x 38     | 10             | 10                | 85.    | 541850   | 536    | 648    | 606    | 4 x 50     | 12             | -                 |
| 36.    | 541814   | 188    | 284    | 248    | 3 x 38     | 10             | -                 | 86.    | 535142   | 546    | 658    | 616    | 4 x 50     | 12             | 2                 |
| 37.    | 541815   | 191    | 287    | 251    | 3 x 38     | 10             | 10                | 87.    | 541851   | 566    | 678    | 636    | 4 x 50     | 12             | 2                 |
| 38.    | 541816   | 198    | 294    | 258    | 3 x 38     | 10             | -                 | 88.    | 535143   | 572    | 684    | 642    | 4 x 50     | 12             | 2                 |
| 39.    | 541817   | 202    | 298    | 262    | 3 x 38     | 10             | 10                | 89.    | 541852   | 584    | 696    | 654    | 4 x 50     | 12             | 2                 |
| 40.    | 532400   | 205    | 301    | 265    | 3 x 38     | 10             | 10                | 90.    | 541853   | 587    | 699    | 657    | 4 x 50     | 12             | -                 |
| 41.    | 541818   | 210    | 306    | 270    | 3 x 38     | 10             | 5                 | 91.    | 541854   | 608    | 720    | 678    | 4 x 50     | 12             | 2                 |
| 42.    | 541819   | 214    | 310    | 274    | 3 x 38     | 10             | -                 | 92.    | 535144   | 638    | 750    | 708    | 4 x 50     | 12             | 2                 |
| 43.    | 541820   | 218    | 314    | 278    | 3 x 38     | 10             | 5                 | 93.    | 541855   | 647    | 759    | 717    | 4 x 50     | 12             | 2                 |
| 44.    | 535032   | 223    | 319    | 283    | 3 x 38     | 10             | 5                 | 94.    | 532828   | 658    | 770    | 728    | 4 x 50     | 12             | 2                 |
| 45.    | 541821   | 232    | 328    | 292    | 3 x 38     | 10             | 5                 | 95.    | 541856   | 673    | 785    | 743    | 4 x 50     | 12             | 2                 |
| 46.    | 541822   | 238    | 334    | 298    | 3 x 38     | 10             | -                 | 96.    | 541857   | 685    | 797    | 755    | 4 x 50     | 12             | 2                 |
| 47.    | 532403   | 241    | 337    | 301    | 3 x 38     | 10             | 5                 | 97.    | 541858   | 709    | 821    | 779    | 4 x 50     | 12             | 2                 |
| 48.    | 541823   | 244    | 356    | 314    | 3 x 38     | 12             | 5                 | 98.    | 541859   | 739    | 851    | 809    | 4 x 50     | 12             | 2                 |
| 49.    | 541824   | 251    | 363    | 321    | 3 x 38     | 12             | 5                 | 99.    | 541860   | 759    | 871    | 829    | 4 x 50     | 12             | 2                 |
| 50.    | 535034   | 257    | 369    | 327    | 3 x 38     | 12             | 5                 |        |          |        |        |        |            |                |                   |



## PROPERTIES

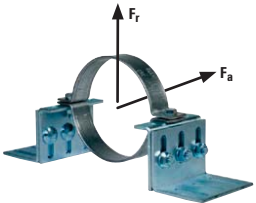
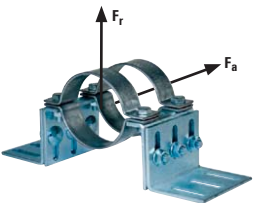
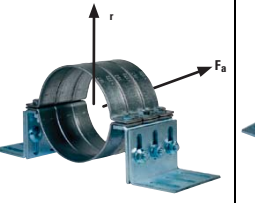
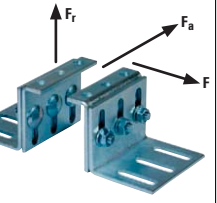
- **FFPS:** S185-Z-150 NA-AK (Material no. 1.0035) acc. to DIN EN 10035
- **FFPK:** S234 JR (Material No. 1.0037) acc. to DIN EN 10025
- **Zinc plating:** Electro zinc plated, min 5µm Available on HDG on special request.
- **Fixpoint clamp:** Prevent unwanted movement of the pipe
- **Fixpoint clamp:** Ensure expansion in the desired direction.
- **Loads applicable:** For steel pipes

## TECHNICAL DATA



| Item           | Art.-NO. | Clamping range<br>D<br>(mm) | Reqd. torque with<br>Gr 8.8 M 12<br>bolt<br>(Nm.) | Size<br>(inch) | Width<br>B<br>(mm) | Locking screw | b x s<br>(mm) | Sales unit<br>(pcs.) |
|----------------|----------|-----------------------------|---|----------------|--------------------|---------------|---------------|----------------------|
| <b>FFPS</b>    |          |                             |   |                |                    |               |               |                      |
| FFPS 2"        | 48510    | 56 - 61                     | 80  | 2"             | 137                | M 12          | 40 x 4        | 1                    |
| FFPS 2 1/2"    | 48511    | 75 - 80                     | 80  | 2 1/2"         | 166                | M 12          | 40 x 4        | 1                    |
| FFPS 3"        | 48512    | 88 - 93                     | 80  | 3"             | 170                | M 12          | 40 x 4        | 1                    |
| FFPS 4"        | 48513    | 108 - 115                   | 80  | 4"             | 191                | M 12          | 40 x 4        | 1                    |
| FFPS 5"        | 48660    | 133 - 140                   | 80  | 5"             | 217                | M 12          | 40 x 4        | 1                    |
| FFPS 159 - 166 | 48662    | 159 - 166                   | 80  | 159 - 166      | 243                | M 12          | 40 x 4        | 1                    |
| FFPS 6"        | 48663    | 167 - 172                   | 80  | 6"             | 250                | M 12          | 40 x 4        | 1                    |
| FFPS 8"        | 48664    | 219 - 225                   | 80  | 8"             | 303                | M 12          | 40 x 4        | 1                    |
| FFPS 10"       | 48665    | 267 - 274                   | 80  | 10"            | 351                | M 12          | 40 x 4        | 1                    |
| FFPK           | 48666    | -                           | -   | -              | -                  | -             | -             | 1                    |

## LOADS

| Type   |           |             |             |         |
|--|--|--|---|--|
| <b>Load for Zinc Plated Clamp with Steel pipes</b>               | <b>Fixpoint 1 clamp</b><br>Max. recom. load<br>axial $F_a = 8000$ N<br>radial $F_r = 4660$ N | <b>Fixpoint 2 clamps</b><br>Max. recom. load<br>axial $F_a = 16000$ N<br>radial $F_r = 9320$ N | <b>Fixpoint 3 clamps</b><br>Max. recom. load<br>axial $F_a = 24000$ N<br>radial $F_r = 13980$ N | <b>FFPK</b><br>Saddle max. recom. loads<br>radial $F_r = 42000$ N<br>lateral $F_l = 17500$ N |
| <b>Load for HDG Clamp with Steel pipes</b>                       | <b>Fixpoint 1 clamp</b><br>Max. recom. load<br>axial $F_a = 6000$ N<br>radial $F_r = 4660$ N | <b>Fixpoint 2 clamps</b><br>Max. recom. load<br>axial $F_a = 12000$ N<br>radial $F_r = 9320$ N | <b>Fixpoint 3 clamps</b><br>Max. recom. load<br>axial $F_a = 18000$ N<br>radial $F_r = 13980$ N | <b>FFPK</b><br>Saddle max. recom. loads<br>radial $F_r = 42000$ N<br>lateral $F_l = 17500$ N |
| <b>*Load for Zinc Plated &amp; HDG Clamps with Plastic pipes</b> | <b>Fixpoint 1 clamp</b><br>Max. recom. load<br>axial $F_a = 1000$ N<br>radial $F_r = 4660$ N | <b>Fixpoint 2 clamps</b><br>Max. recom. load<br>axial $F_a = 2000$ N<br>radial $F_r = 9320$ N  | <b>Fixpoint 3 clamps</b><br>Max. recom. load<br>axial $F_a = 3000$ N<br>radial $F_r = 13980$ N  | <b>FFPK</b><br>Saddle max. recom. loads<br>radial $F_r = 42000$ N<br>lateral $F_l = 17500$ N |

(1) PPR pipes & UPVC pipes



**GL**



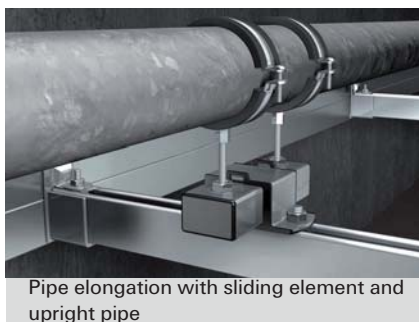
**FSC1**



**SBS**



Sliding element on console



Pipe elongation with sliding element and upright pipe

### PROPERTIES - GL

- **Material:** Steel S235 JR (material no. 1.0037) acc. to DIN EN10025
- **Zinc plating:** Electro zinc plated, min. 8 µm
- **Material sliding strips:** Nylon 6.6
- **Adhesion friction factor:** 0.27 - 0.3
- **Sliding friction factor:** 0.13 - 0.17
- **Thermal load capacity:** up to + 130 °C

### PROPERTIES - FSC1

- **Material:** Steel DD 11 (material no. 1.0332) acc. to DIN EN 10111.
- **Zinc plating:** Electro zinc plated, min. 5 µm
- **Temperature range:** -30 °C to +120 °C

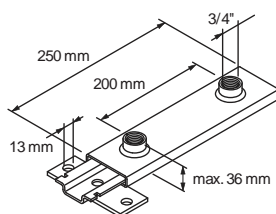
### PROPERTIES - SBS

- **Material:** Steel DD 11 (material no. 1.0332) acc. to DIN EN 10111 / PA
- **Zinc plating:** Electro zinc plated, min. 5 µm
- **Adhesion friction factor:** 0.25 - 0.30
- **Sliding friction factor:** 0.16 - 0.18
- **Temperature range:** -40 °C to +100 °C

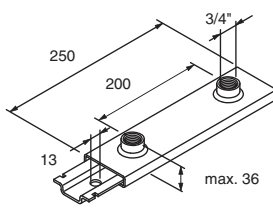
### APPROVALS - SBS



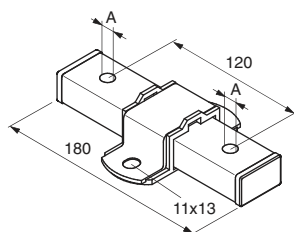
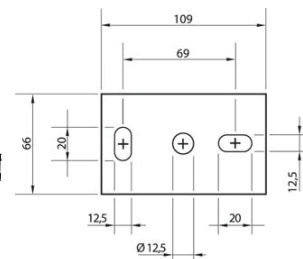
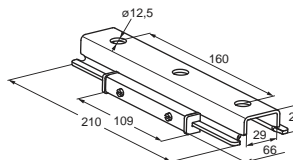
### TECHNICAL DATA



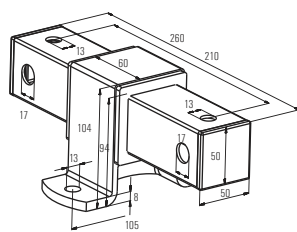
GLL 3/4"



GL 3/4"



SBS



SBS 12/16

| Item     | Art.-NO. | Sales unit (pcs) |
|----------|----------|------------------|
| GLL 3/4" | 064038   | 5                |
| GL 3/4"  | 064041   | 5                |
| FSC 1    | 507866   | 12               |

| Item        | Art.-NO. | Thread A  | Sales unit (pcs) |
|-------------|----------|-----------|------------------|
| SBS M 8     | 079685   | M 8       | 8                |
| SBS M 10    | 079686   | M 10      | 8                |
| SBS 12 / 16 | 047726   | M 12 / 16 | 1                |

| Item        | Art.-NO. | Recommended suspended |                     | Design suspended    |                     | Recommended vertical  |                     | Design vertical |       |
|-------------|----------|-----------------------|---------------------|---------------------|---------------------|-----------------------|---------------------|-----------------|-------|
|             |          | N <sub>rec</sub> (kN) | N <sub>d</sub> (kN) | N <sub>d</sub> (kN) | N <sub>d</sub> (kN) | N <sub>rec</sub> (kN) | N <sub>d</sub> (kN) |                 |       |
| GLL 3/4"    | 064038   | 3.50                  | 4.90                | 4.90                | 5.56                | 4.00                  | 5.56                | 4.00            | 5.56  |
| GL 3/4"     | 064041   | 3.50                  | 4.90                | 4.90                | 5.56                | 4.00                  | 5.56                | 4.00            | 5.56  |
| FSC 1       | 507866   | 1.30                  | 1.82                | 1.82                | 1.40                | 1.00                  | 1.40                | 1.00            | 1.40  |
| SBS M 8     | 079685   | 1.50                  | 2.10                | 2.10                | 2.10                | 1.50                  | 2.10                | 1.50            | 2.10  |
| SBS M 10    | 079686   | 1.50                  | 2.10                | 2.10                | 2.10                | 1.50                  | 2.10                | 1.50            | 2.10  |
| SBS 12 / 16 | 047726   | 7.80                  | 10.92               | 10.92               | 10.92               | 7.80                  | 10.92               | 7.80            | 10.92 |



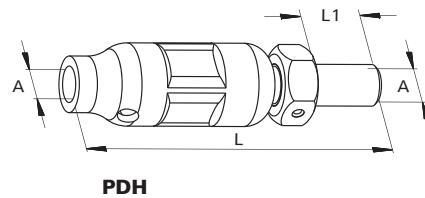
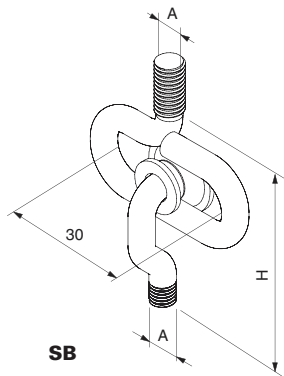
**PDH**



## PROPERTIES

- **Material:** Steel DD11 (material no. 1.0332) acc. to DIN EN 10111
- **Zinc plating:** Electro zinc plated, min. 3 µm  
Electro zinc plated, min. 5 µm

## TECHNICAL DATA



| Item    | Art.-NO. | Thread<br>A1 | Height<br>H<br>(mm) | Sales unit<br>(pcs) |
|---------|----------|--------------|---------------------|---------------------|
| SB M 8  | 079680   | M 8          | 75                  | 25                  |
| SB M 10 | 079681   | M 10         | 90                  | 25                  |

| Item       | Art.-NO. | Thread<br>A1 | Lenght<br>L<br>(mm) | Lenght<br>L1<br>(mm) | Sales unit<br>(pcs) |
|------------|----------|--------------|---------------------|----------------------|---------------------|
| PDH K M 8  | 068267   | M 8          | 50                  | 18                   | 50                  |
| PDH K M 10 | 068269   | M 10         | 54                  | 18                   | 50                  |
| PDH M 8    | 079676   | M 8          | 76                  | 18                   | 50                  |
| PDH M 10   | 079677   | M 10         | 80                  | 18                   | 50                  |
| PDH M 12   | 064037   | M 12         | 90                  | 20                   | 25                  |

| Item       | Art.-NO. | Recommended load<br>N <sub>rec</sub><br>(kN) | Design load<br>N <sub>d</sub><br>(kN) |
|------------|----------|--|---------------------------------------|
| SB M 8     | 079680   | 0.40   | 0.56                                  |
| SB M 10    | 079681   | 0.65   | 0.91                                  |
| PDH K M 8  | 068267   | 2.40   | 3.36                                  |
| PDH K M 10 | 068269   | 3.00   | 4.20                                  |
| PDH M 8    | 079676   | 2.40   | 3.36                                  |
| PDH M 10   | 079677   | 3.00   | 4.20                                  |
| PDH M 12   | 064037   | 3.50   | 4.90                                  |



Spiral airduct on cantilever

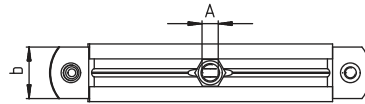
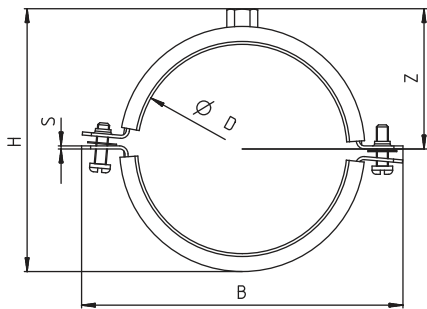
## PROPERTIES

- **Material:** Steel DX5 1D+Z 275 MA-C (material no. 1.0226+Z) acc. to DIN EN 10327
- **Zinc plating:** sendzimir-galvanised, app. 15 µm
- **Connecting nut:** resistance welded domed nut, M8 / M 10, SW 13
- **Locking screw:** Oval head screw with combination recessed head.
- **Material sound insulation insert:** SBR/EPDM; chlorine-free; silicone-free
- **Sound insulation:** For DIN 4109
- **Temperature range:** 50 °C to +100 °C
- **Hardness:** 45 ± 5 °C Shor A
- **Fire behaviour:** DIN 4102: Class B2

## INSTALLATION



## TECHNICAL DATA



| Item     | Art.-NO.              | Thread<br>A | Clamping<br>range<br>D<br>(mm) | Height H  |           | Width B<br>(mm) | b x s<br>(mm) | Height Z<br>(mm) | Locking<br>Screw | Recommended<br>load<br>N <sub>rec</sub><br>(kN) | Design<br>load<br>N <sub>d</sub><br>(kN) | Sales unit<br>(pcs) |
|----------|-----------------------|-------------|--------------------------------|-----------|-----------|-----------------|---------------|------------------|------------------|---|--|---------------------|
|          |                       |             |                                | H<br>(mm) | B<br>(mm) |                 |               |                  |                  |   |  |                     |
| LGS 80   | 079491                | M 8/M 10    | 80                             | 110       | 134       | 25 x 1.25       | 62            | M 6              | 0.6              | 0.84  | 25                                       |                     |
| LGS 90   | 079492                | M 8/M 10    | 90                             | 120       | 144       | 25 x 1.25       | 67            | M 6              | 0.6              | 0.84  | 25                                       |                     |
| LGS 100  | 079493                | M 8/M 10    | 100                            | 131       | 155       | 25 x 1.25       | 72            | M 6              | 0.6              | 0.84  | 20                                       |                     |
| LGS 112  | 079494                | M 8/M 10    | 112                            | 143       | 167       | 25 x 1.25       | 78            | M 6              | 0.6              | 0.84  | 20                                       |                     |
| LGS 125  | 079495                | M 8/M 10    | 125                            | 156       | 180       | 25 x 1.25       | 85            | M 6              | 0.6              | 0.84  | 10                                       |                     |
| LGS 140  | 079496                | M 8/M 10    | 140                            | 171       | 195       | 25 x 1.25       | 92            | M 6              | 0.6              | 0.84  | 10                                       |                     |
| LGS 150  | 079497                | M 8/M 10    | 150                            | 181       | 205       | 25 x 1.25       | 97            | M 6              | 0.6              | 0.84  | 10                                       |                     |
| LGS 160  | 079498                | M 8/M 10    | 160                            | 191       | 215       | 25 x 1.25       | 102           | M 6              | 0.6              | 0.84  | 10                                       |                     |
| LGS 180  | 079499                | M 8/M 10    | 180                            | 211       | 235       | 25 x 1.25       | 112           | M 6              | 0.6              | 0.84  | 10                                       |                     |
| LGS 200  | 079500                | M 8/M 10    | 200                            | 231       | 255       | 25 x 1.25       | 122           | M 6              | 0.6              | 0.84  | 15                                       |                     |
| LGS 224  | 079501                | M 8/M 10    | 224                            | 255       | 279       | 25 x 1.5        | 134           | M 6              | 0.6              | 0.84  | 15                                       |                     |
| LGS 250  | 079502                | M 8/M 10    | 250                            | 281       | 305       | 25 x 1.5        | 147           | M 6              | 0.6              | 0.84  | 10                                       |                     |
| LGS 280  | 079503                | M 8/M 10    | 280                            | 311       | 335       | 25 x 1.5        | 162           | M 6              | 0.6              | 0.84  | 10                                       |                     |
| LGS 300  | 079504                | M 8/M 10    | 300                            | 331       | 356       | 25 x 1.5        | 172           | M 6              | 0.6              | 0.84  | 10                                       |                     |
| LGS 315  | 079505                | M 8/M 10    | 315                            | 347       | 371       | 25 x 1.5        | 180           | M 6              | 0.6              | 0.84  | 10                                       |                     |
| LGS 355  | 079506                | M 8/M 10    | 355                            | 387       | 411       | 25 x 1.5        | 200           | M 6              | 0.6              | 0.84  | 10                                       |                     |
| LGS 400  | 079507                | M 8/M 10    | 400                            | 431       | 356       | 25 x 1.5        | 222           | M 6              | 0.6              | 0.84  | 10                                       |                     |
| LGS 450  | 024637 <sup>(1)</sup> | M 8/M 10    | 450                            | 485       | 524       | 25 x 2.5        | 247           | M 10             | 0.8              | 1.12  | 1  |                     |
| LGS 500  | 024638 <sup>(1)</sup> | M 8/M 10    | 500                            | 535       | 574       | 25 x 2.5        | 272           | M 10             | 0.8              | 1.12  | 1  |                     |
| LGS 560  | 024639 <sup>(1)</sup> | M 8/M 10    | 560                            | 595       | 634       | 25 x 2.5        | 302           | M 10             | 0.8              | 1.12  | 1  |                     |
| LGS 600  | 024640 <sup>(1)</sup> | M 8/M 10    | 600                            | 635       | 674       | 25 x 2.5        | 322           | M 10             | 0.8              | 1.12  | 1  |                     |
| LGS 630  | 024641 <sup>(1)</sup> | M 8/M 10    | 630                            | 665       | 705       | 25 x 3.0        | 338           | M 10             | 0.8              | 1.12  | 1  |                     |
| LGS 710  | 024642 <sup>(1)</sup> | M 8/M 10    | 710                            | 745       | 785       | 25 x 3.0        | 378           | M 10             | 0.8              | 1.12  | 1  |                     |
| LGS 800  | 024643 <sup>(1)</sup> | M 8/M 10    | 800                            | 835       | 875       | 25 x 3.0        | 423           | M 10             | 0.8              | 1.12  | 1  |                     |
| LGS 900  | 024644 <sup>(1)</sup> | M 8/M 10    | 900                            | 935       | 975       | 25 x 3.0        | 473           | M 10             | 0.8              | 1.12  | 1  |                     |
| LGS 1000 | 024645 <sup>(1)</sup> | M 8/M 10    | 1000                           | 1035      | 1075      | 25 x 3.0        | 523           | M 10             | 0.8              | 1.12  | 1  |                     |
| LGS 1120 | 024646 <sup>(1)</sup> | M 8/M 10    | 1120                           | 1155      | 1195      | 25 x 3.0        | 583           | M 10             | 0.8              | 1.12  | 1  |                     |
| LGS 1250 | 024647 <sup>(1)</sup> | M 8/M 10    | 1250                           | 1285      | 1326      | 25 x 3.0        | 648           | M 10             | 0.8              | 1.12  | 1  |                     |

(1) The installation with two threaded rods allows to double the given recommended loads.

## GWB



## LPV LPK



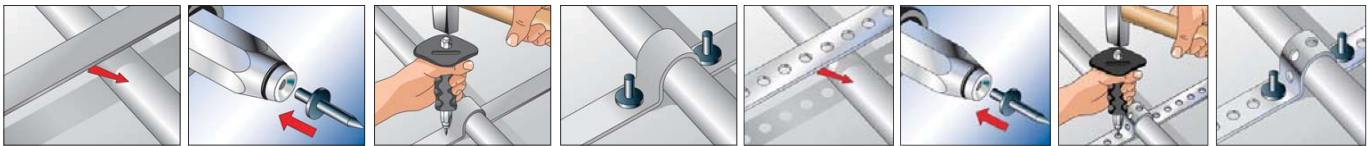
## PROPERTIES

- **Material:** Polypropylene (GWB)  
Steel DX5 1D+Z (material no. 1.0226)  
acc. to DIN EN 10327
- **Zinc plating:** Electro zinc plated, min. 7 µm  
Protective coating LBK: PE

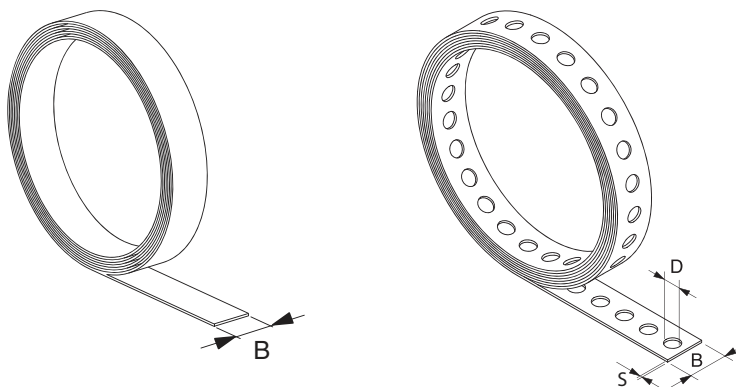
## ADVANTAGES

- The perforated tapes' material thicknesses and plastic covering allows the tapes to be easily cut to size using metal shears.
- The perforated tapes' hole geometry enables concrete fixing using the impact nail
- Pipe fastening using textile tape allows for cheap and simple installation
- The textile tape roll allows the correct tape length to be chosen to suit the diameter in question
- Hangings with textile tape are a fast solution for temporary fixings

## INSTALLATION



## TECHNICAL DATA



| Item | Art.-NO. | Total length<br>l<br>(mm) | Width B<br>B<br>(mm) | Thickness<br>S<br>(mm) | Sales unit<br>(pcs) |
|------|----------|---------------------------|----------------------|------------------------|---------------------|
| GWB  | 020959   | 10.000                    | 15                   | 1.1                    | 10                  |

| Item   | Art.-NO. | Total length<br>l<br>(mm) | Width B<br>B<br>(mm) | Thickness<br>S<br>(mm) | Eye Ø<br>D<br>(mm) | Sales unit<br>(pcs) |
|--------|----------|---------------------------|----------------------|------------------------|--------------------|---------------------|
| LBV 12 | 079549   | 10.000                    | 12                   | 0.75                   | 6                  | 10                  |
| LBV 17 | 079550   | 10.000                    | 17                   | 0.75                   | 6.5                | 10                  |
| LBV 25 | 079551   | 10.000                    | 25                   | 0.88                   | 8.5                | 8                   |
| LBK 14 | 079553   | 10.000                    | 14                   | 2.6                    | 5                  | 10                  |
| LBK 19 | 079554   | 10.000                    | 19                   | 2.4                    | 6.5                | 8                   |
| LBK 27 | 079555   | 10.000                    | 27                   | 2.4                    | 8.5                | 5                   |

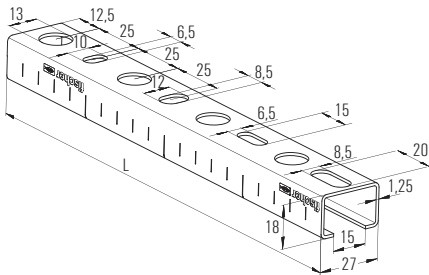


Light, suspended pipelines

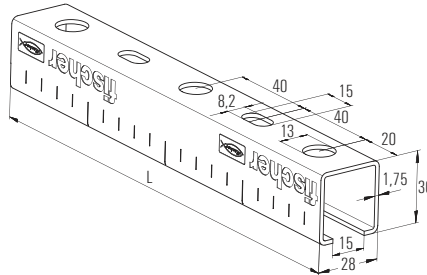
## PROPERTIES

- **Material:** Steel DX5 1D+Z 275 MA-C (material no. 1.0226+Z) acc. to DIN EN 10327 / ASTM A653
- **Zinc plating:** sendzimir zinc plated, approx. 20 µm
- **Material A2:** Stainless steel of the corrosion resistance class II, e.g. A2

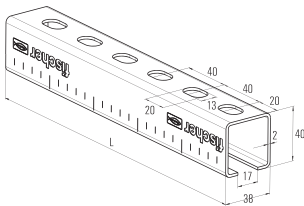
## TECHNICAL DATA



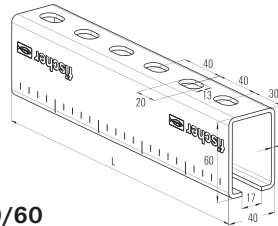
MS 27/18



MS 28/30



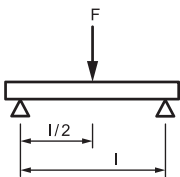
MS 38/40



MS 40/60

| Item                | Art.-NO. | Sales unite (pcs.) | Length L (mm) | Item                | Art.-NO. | Sales unite (pcs.) | Length L (mm) |
|---------------------|----------|--------------------|---------------|---------------------|----------|--------------------|---------------|
| MS 27/18/1.25 - 2 m | 079560   | 1                  | 2000          | MS 27/18/1.25 - 3 m | 079557   | 3000               | 3000          |
| MS 27/18/1.25 - 6 m | 030072   | 1                  | 6000          | MS 28/30/1.75 - 2 m | 079561   | 2000               | 2000          |
| MS 28/30/1.75 - 3 m | 079558   | 1                  | 3000          | MS 38/40/2.00 - 2 m | 079562   | 2000               | 2000          |
| MS 38/40/2.00 - 3 m | 079559   | 1                  | 3000          | MS 38/40/2.00 - 4 m | 093281   | 4000               | 4000          |
| MS 38/40/2.00 - 6 m | 030075   | 1                  | 6000          | MS 40/60/3.00 - 6 m | 014314   | 6000               | 6000          |
| MS 27/18 A2 - 2 m   | 67905    | 1                  | 2000          | -                   | -        | -                  | -             |

## LOADS



| Item          | Weight W (kg/m) | Area A (mm <sup>2</sup> ) | Moment of inertia I <sub>y</sub> (mm <sup>4</sup> ) | Moment of inertia I <sub>z</sub> (mm <sup>4</sup> ) | Section modulus W <sub>y</sub> (mm <sup>3</sup> ) | Section modulus W <sub>z</sub> (mm <sup>3</sup> ) | Max. recommended static load |               |                |              |              |
|---------------|-----------------|---------------------------|---|---|---|---|------------------------------|---------------|----------------|--------------|--------------|
|               |                 |                           |   |   |   |   | Length = .5 M                | Length = .1 M | Length = 1.5 M | Length = 2 M | Length = 3 M |
|               |                 |                           |   |   |   |   | Frec (kN)                    | Frec (kN)     | Frec (kN)      | Frec (kN)    | Frec (kN)    |
| MS 27/18/1.25 | 0.66            | 84                        | 3600  | 9600  | 340   | 710   | 0.44                         | 0.18          | 0.08           | 0.05         | 0.02         |
| MS 28/30/1.75 | 1.25            | 259                       | 17700   | 20900   | 1020  | 1490  | 1.31                         | 0.65          | 0.40           | 0.22         | 0.10         |
| MS 38/40/2.00 | 2               | 255                       | 53900   | 61800   | 2400  | 3250  | 3.09                         | 1.55          | 1.03           | 0.68         | 0.30         |
| MS 40/60/3.00 | 3.91            | 498                       | 215600  | 135400  | 6580  | 6770  | 8.53                         | 4.26          | 1.84           | 2.13         | 1.21         |

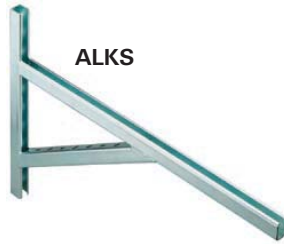
(1) Maximum permissible deflection under load = L/200

(2) load safety factor 1.4 is included





ALK

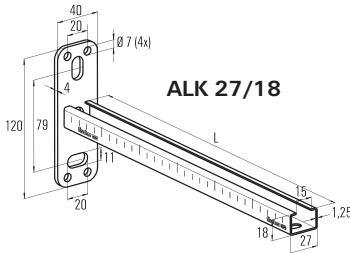


ALKS

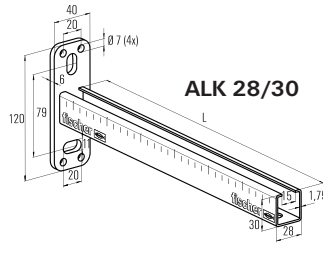
## PROPERTIES

- **Material:** Base plate: Steel DC01 (material no. 1.0330) acc. to DIN EN 10111  
Channel: steel S235JR (material no. 1.0037) acc. to DIN EN 10025
- **Zinc plating:** Electro zinc plated, min. 13 µm
- **Material A2:** Stainless steel of the corrosion resistance class II, e.g. A2

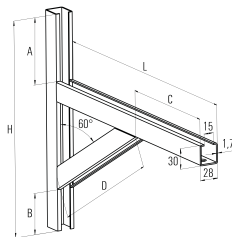
## TECHNICAL DATA



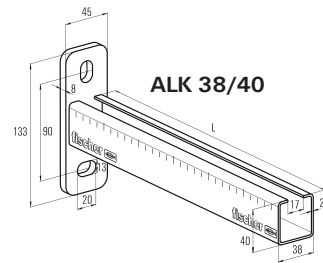
ALK 27/18



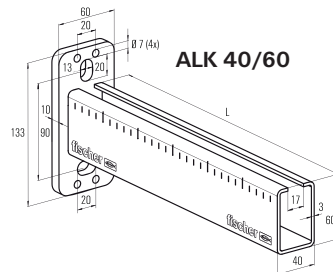
ALK 28/30



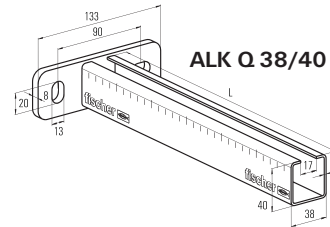
ALKS



ALK 38/40



ALK 40/60



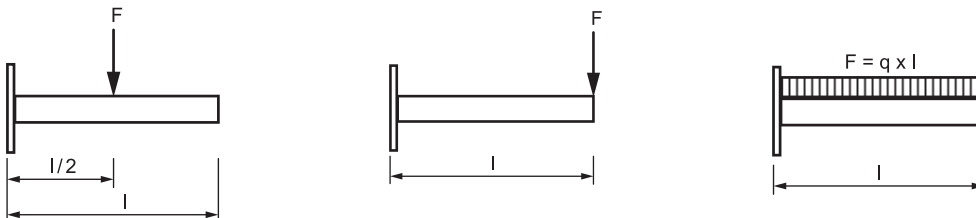
ALK Q 38/40

| Item                      | Art.-NO. | Qty. per box (pcs.) | Profile | Length L (mm) | Item               | Art.-NO. | Qty. per box (pcs.) | Profile | Length L (mm) |
|---------------------------|----------|---------------------|---------|---------------|--------------------|----------|---------------------|---------|---------------|
| <b>Cantilever arm ALK</b> |          |                     |         |               |                    |          |                     |         |               |
| ALK 27/18 - 200           | 079575   | 20                  | 27/18   | 200           | ALK 27/18 - 300    | 079576   | 20                  | 27/18   | 300           |
| ALK 28/30 - 200           | 079577   | 10                  | 28/30   | 200           | ALK 28/30 - 320    | 079578   | 10                  | 28/30   | 320           |
| ALK 28/30 - 440           | 079579   | 10                  | 28/30   | 440           | ALK 38/40 - 200    | 079580   | 10                  | 38/40   | 200           |
| ALK 38/40 - 360           | 079581   | 10                  | 38/40   | 360           | ALK 38/40 - 440    | 063560   | 10                  | 38/40   | 440           |
| ALK 38/40 - 520           | 079582   | 10                  | 38/40   | 520           | ALK 38/40 - 600    | 020929   | 10                  | 38/40   | 600           |
| ALK 38/40 - 800           | 040399   | 1                   | 38/40   | 800           | ALK 38/40 - 1000   | 040400   | 1                   | 38/40   | 1000          |
| ALK 40/60 - 600           | 063561   | 5                   | 40/60   | 600           | ALK 40/60 - 800    | 063562   | 1                   | 40/60   | 800           |
| ALK 40/60 - 1000          | 063563   | 1                   | 40/60   | 1000          | ALK Q 38/40 - 440  | 040401   | 10                  | 38/40   | 440           |
| ALK Q 38/40 - 600         | 040402   | 10                  | 38/40   | 600           | ALK 27/18 - 200 A2 | 65101    | 20                  | -       | 200           |

## Cantilever arm ALKS

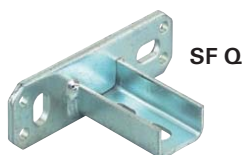
| Item             | Art.-NO. | Qty. per box (pcs.) | Profile | Length H (mm) | Length L (mm) | Height A (mm) | Height B (mm) | Length C (mm) | Length D (mm) |
|------------------|----------|---------------------|---------|---------------|---------------|---------------|---------------|---------------|---------------|
| ALKS 28/30 - 400 | 063581   | 5                   | 28/30   | 315           | 400           | 98            | 60            | 180           | 254           |
| ALKS 28/30 - 600 | 063594   | 5                   | 28/30   | 400           | 600           | 100           | 70            | 254           | 400           |

## LOADS



| Item             | Art.No. | Max. recommended static load |                          |                          | Item             | Art.No. | Max. recommended static load |                          |                          |
|------------------|---------|------------------------------|--------------------------|--------------------------|------------------|---------|------------------------------|--------------------------|--------------------------|
|                  |         | Load case 1<br>Frec (kN)     | Load case 2<br>Frec (kN) | Load case 3<br>Frec (kN) |                  |         | Load case 1<br>Frec (kN)     | Load case 2<br>Frec (kN) | Load case 3<br>Frec (kN) |
| ALK 38/40 - 200  | 079580  | 3.75                         | 1.88                     | 3.75                     | ALK 38/40 - 360  | 079581  | 2.2                          | 1.1                      | 2.2                      |
| ALK 38/40 - 440  | 063560  | 1.7                          | 0.85                     | 1.7                      | ALK 38/40 - 520  | 079582  | 1.4                          | 0.7                      | 1.4                      |
| ALK 38/40 - 600  | 020929  | 1.25                         | 0.63                     | 1.25                     | ALK 38/40 - 800  | 040399  | 0.94                         | 0.35                     | 0.94                     |
| ALK 38/40 - 1000 | 040400  | 0.6                          | 0.23                     | 0.6                      | ALK 40/60 - 600  | 063561  | 3.5                          | 1.75                     | 3.5                      |
| ALK 40/60 - 800  | 063562  | 2.63                         | 1.31                     | 2.63                     | ALK 40/60 - 1000 | 063563  | 2.1                          | 0.91                     | 2.1                      |
| ALK 27/18 - 200  | 079575  | 0.54                         | 0.27                     | 0.54                     | ALK 27/18 - 300  | 079576  | 0.36                         | 0.17                     | 0.36                     |
| ALK 28/30 - 200  | 079577  | 1.63                         | 0.82                     | 1.63                     | ALK 28/30 - 320  | 079578  | 1.08                         | 0.54                     | 1.08                     |
| ALK 28/30 - 440  | 079579  | 0.8                          | 0.4                      | 0.8                      | ALKS 28/30 - 400 | 063581  | 5                            | 1.3                      | 5                        |
| ALKS 28/30 - 600 | 063594  | 5                            | 0.9                      | 5                        | -                | -       | -                            | -                        | -                        |

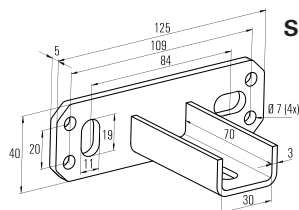
(1) Maximum permissible deflection under load = L/180  
(2) load safety factor 1.4 is included



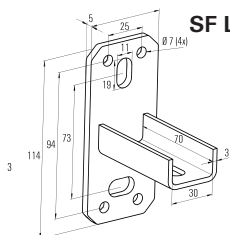
### PROPERTIES

- **Material:** Steel DD11(material no. 1.0332) acc. to DIN EN 10111
- **Zinc plating:** Electro zinc plated, min. 8µm
- **Material A2:** Steel DC01 – min. 340 (material no. 1.0037) acc. to DIN EN 10139
- **Zinc plating:** Electro zinc plated, min. 8µm
- **Material A2:** Stainless steel of the corrosion resistance class II, e.g. A2

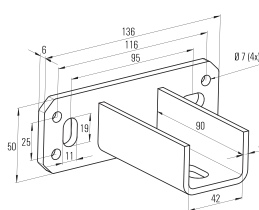
### TECHNICAL DATA



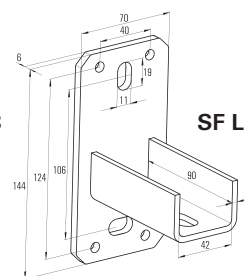
SF Q 27



SF L 27



SF Q 38



SF L 38

| Item       | Art.-NO. | Qty. per box (pcs.) | Version    | Material   |
|------------|----------|---------------------|------------|------------|
| SF Q 27    | 079409   | 15                  | horizontal | Material 1 |
| SF L 27    | 079585   | 15                  | vertical   | Material 1 |
| SF Q 38    | 079410   | 10                  | horizontal | Material 2 |
| SF L 38    | 079586   | 8                   | vertical   | Material 2 |
| SF L 27 A2 | 77615    | 15                  | vertical   | Material 3 |

# Installation angle bracket MW



MW 38-45°



MW L 2 38-90°



MW 27-45°



MW 27-90°



MW 38-90°

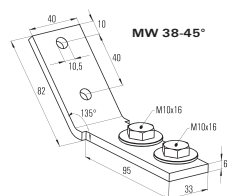


MW L 3 38-90°

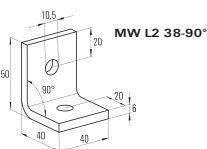
### PROPERTIES

- **Material:** Steel S235 JR (material no. 1.0332) acc. to DIN EN 10025
- **Zinc plating:** Electro zinc plated, min. 8µm
- **Material A2:** Stainless steel of the corrosion resistance class II, e.g. A2

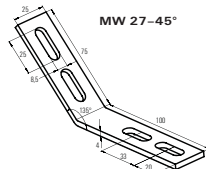
### TECHNICAL DATA



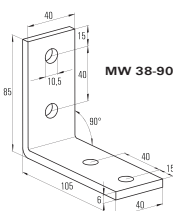
MW 38-45°



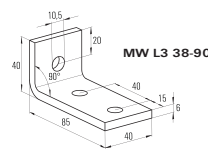
MW L2 38-90°



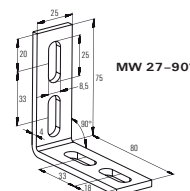
MW 27-45°



MW 38-90°



MW L3 38-90°



MW 27-90°

| Item           | Art.-NO. | Qty. per box (pcs.) | Angle |
|----------------|----------|---------------------|-------|
| MW 38 - 45°    | 079658   | 10                  | 45°   |
| MW 38 - 90°    | 079657   | 20                  | 90°   |
| MW L2 38 - 90° | 063599   | 20                  | 90°   |
| MW L3 38 - 90° | 063597   | 20                  | 90°   |
| MW 27 - 45°    | 079656   | 25                  | -     |
| MW 27 - 90°    | 079655   | 25                  | -     |
| MW 27 - 45° A2 | 77626    | 25                  | -     |
| MW 27 - 90° A2 | 77625    | 25                  | -     |

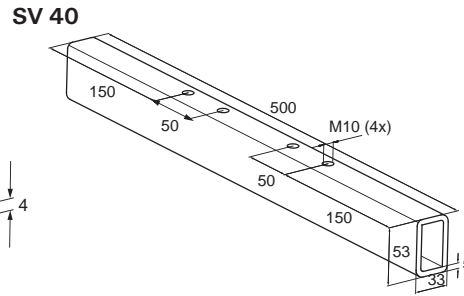
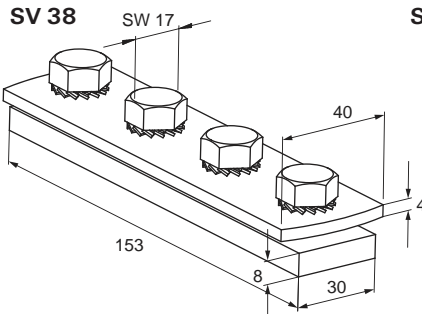


Assembly of channel connector

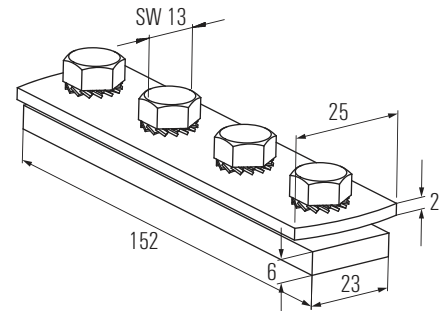
### PROPERTIES

- **Material:** Base plate: Steel DC01 (material no. 1.0330) acc. to DIN EN 10130
- **Zinc plating:** Electro zinc plated, 5 µm
- **Material SV 38/SV 27:** Steel DC01 (material no. 1.0330) acc. to DIN EN 10130
- **Material SV 40:** S235JR (material no. 1.0037) acc. to DIN EN 10025
- **Zinc plating:** Electro zinc plated, 5 µm

### TECHNICAL DATA



### SV 27



| Item  | Art.-NO. | Qty. per box (pcs.) | For channel    |
|-------|----------|---------------------|----------------|
| SV 27 | 079660   | 20                  | 27/18 + 28/30  |
| SV 38 | 079661   | 10                  | 38/40          |
| SV 40 | 063643   | 1                   | 40/60 + 40/120 |

# Channel connector FUF OC and PFUF OC



Connector for installation grid

### PROPERTIES

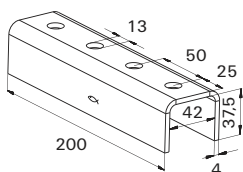
- **Material FUF OC:** Steel S235 JR (material no. 1.0037) acc. to DIN EN10025
- **Zinc plating FUF OC:** Electro zinc plated, min. 5 µm
- **Material PFUF OC:** Steel DD11 (material no. 1.0332) acc. to DIN EN 10111
- **Zinc plating PFUF OC:** Electro zinc plated acc. DIN 50979, min. 8 µm

### ADVANTAGES/BENEFITS

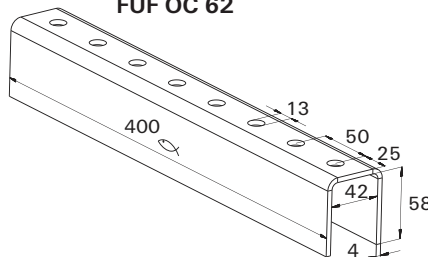
- The FUF OC connector in combination with FCN Clix P allows a simple and time-saving installation.
- The PFUF OC connector in combination with PFCN allows a simple and time-saving installation.

### TECHNICAL DATA

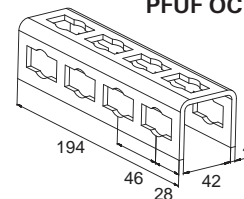
#### FUF OC 41



#### FUF OC 62



#### PFUF OC



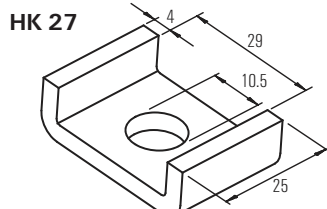
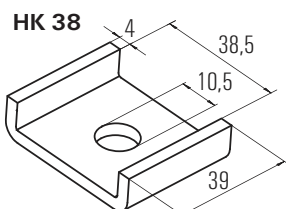
| Item      | Art.-NO. | Length l (mm) | Sales Unit (pcs.) |
|-----------|----------|---------------|-------------------|
| FUF OC 41 | 504517   | 200           | 20                |
| FUF OC 62 | 504518   | 400           | 10                |
| PFUF OC   | 533743   | 194           | 6                 |



### PROPERTIES

- **Material:** Steel S235 JR (material no. 1.0037) acc. to DIN EN 10025
- **Zinc plating:** Electro zinc plated, min. 5 µm

### TECHNICAL DATA



| Item  | Art.-NO. | Qty. per box<br>(pcs.) | For channel<br>M         |
|-------|----------|------------------------|--------------------------|
| HK 38 | 079651   | 50                     | MS 38/40                 |
| HK 27 | 079650   | 50                     | MSL 27 / 18 - MS 28 / 30 |

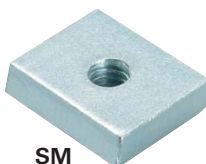
# Channel nut HG, SM



HG 27



HG 38

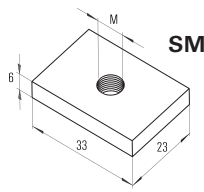
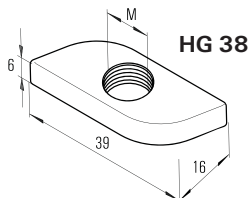
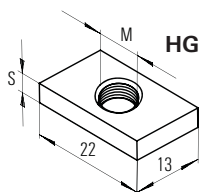


SM

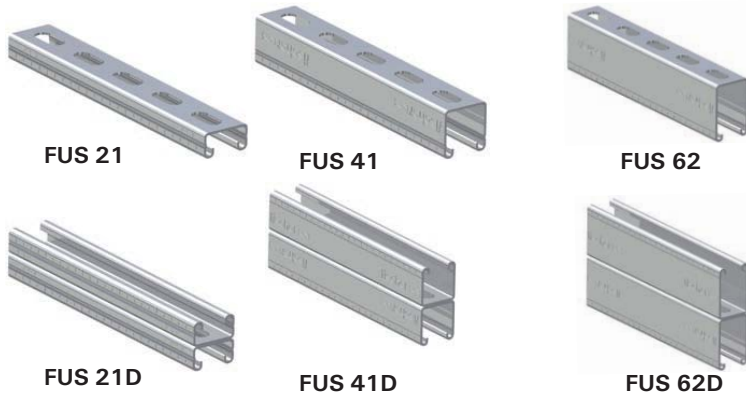
### PROPERTIES

- **Material:** Steel S235 JR (material no. 1.0037) acc. to DIN EN 10025
- **Zinc plating:** Electro zinc plated, min. 5 µm
- **Material A2:** Stainless steel of the corrosion resistance class II, e.g. A2

### TECHNICAL DATA



| Item          | Art.-NO. | Qty. per box<br>(pcs.) | Thread<br>M | Thickness<br>S<br>(mm) | For channel   |
|---------------|----------|------------------------|-------------|------------------------|---------------|
| HG 27 M 6     | 049480   | 200                    | M 6         | 4                      | 27/18 - 28/30 |
| HG 27 M 8     | 079595   | 100                    | M 8         | 5                      | 27/18 - 28/30 |
| HG 27 M 10    | 079596   | 100                    | M 10        | 5                      | 27/18 - 28/30 |
| HG 38 M 6     | 077667   | 100                    | M 6         | -                      | 38/40 - 40/60 |
| HG 38 M 8     | 024687   | 100                    | M 8         | -                      | 38/40 - 40/60 |
| HG 38 M 10    | 024688   | 100                    | M 10        | -                      | 38/40 - 40/60 |
| SM 38 M 8     | 079600   | 50                     | M 8         | -                      | 38/40 - 40/60 |
| SM 38 M 10    | 079601   | 50                     | M 10        | -                      | 38/40 - 40/60 |
| HG 27 M 8 A2  | 77636    | 100                    | M 8         | 4                      | 27/18 A2      |
| HG 27 M 10 A2 | 64977    | 100                    | M 10        | 4                      | 27/18 A2      |



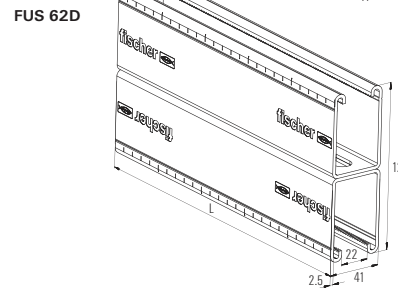
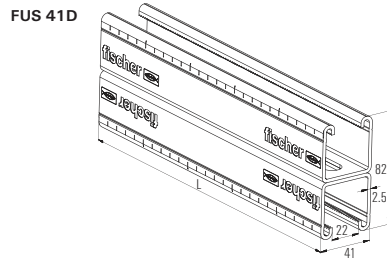
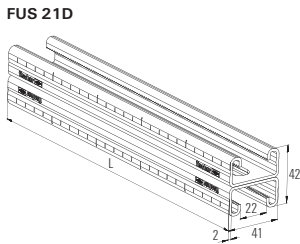
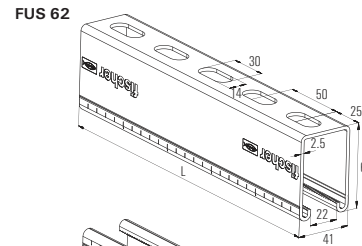
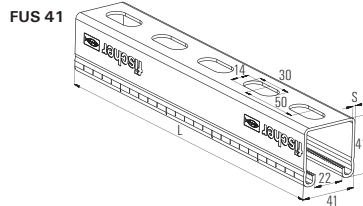
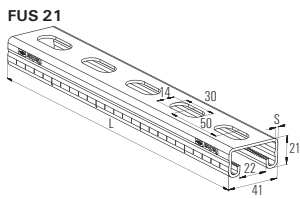
## PROPERTIES

- **Material:** Steel S250 GD-C (material no. 1.0242+Z) acc. to DIN EN 1.0346
- **Zinc plating:** Sendzimir zinc plated, approx. 20 µm
- **Material HDG:** Steel S235 JR (material no. 1.0045) acc. to EN 10027-2
- **Zinc plating:** Hot-dip galvanized, approx. 40 µm acc. to DIN EN ISO 1461
- **Material A2:** Stainless steel of the corrosion resistance class II, e.g. A2
- **Material A4:** Stainless steel of the corrosion resistance class III, e.g. A4

## APPROVALS



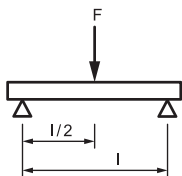
## TECHNICAL DATA



| Item              | Art.-NO. | Qty. per box (pcs.) | Length L (m) | Thickness S (mm) |
|-------------------|----------|---------------------|--------------|------------------|
| FUS 21/2.0 - 2 m  | 40391    | 1                   | 2            | 2.0              |
| FUS 21/2.0 - 3 m  | 97660    | 1                   | 3            | 2.0              |
| FUS 21/2.5 - 3 m  | 77349    | 1                   | 3            | 2.5              |
| FUS 21/2.5 - 6 m  | 77541    | 1                   | 6            | 2.5              |
| FUS 41/2.0 - 2 m  | 40390    | 1                   | 2            | 2.0              |
| FUS 41/2.0 - 3 m  | 97658    | 1                   | 3            | 2.0              |
| FUS 41/2.0 - 6 m  | 97659    | 1                   | 6            | 2.0              |
| FUS 41/2.5 - 2 m  | 92295    | 1                   | 2            | 2.5              |
| FUS 41/2.5 - 3 m  | 77347    | 1                   | 3            | 2.5              |
| FUS 41/2.5 - 6 m  | 77537    | 1                   | 6            | 2.5              |
| FUS 62/2.5 - 6 m  | 504457   | 1                   | 6            | 2.5              |
| FUS 21D/2.0 - 3 m | 504458   | 1                   | 3            | 2.0              |

| Item                  | Art.-NO. | Qty. per box (pcs.) | Length L (m) | Thickness S (mm) |
|-----------------------|----------|---------------------|--------------|------------------|
| FUS 41D/2.5 - 6 m     | 504459   | 1                   | 6            | 2.5              |
| FUS 62D/2.5 - 6 m     | 504460   | 1                   | 6            | 2.5              |
| FUS 41/2.0 - 3 m hdg. | 517426   | 1                   | 3            | 2.0              |
| FUS 62/2.5 - 3 m hdg. | 517427   | 1                   | 3            | 2.5              |
| FUS 62/2.5 - 6 m hdg. | 517428   | 1                   | 6            | 2.5              |
| FUS 21/2.0 A2 - 2m    | 504466   | 1                   | 2            | 2.0              |
| FUS 41/2.0 A2 - 2m    | 504468   | 1                   | 2            | 2.0              |
| FUS 41/2.5 A2 - 2m    | 504470   | 1                   | 2            | 2.5              |
| FUS 21/2.0 A4 - 2m    | 504472   | 1                   | 2            | 2.0              |
| FUS 41/2.0 A4 - 2m    | 504474   | 1                   | 2            | 2.2              |
| FUS 41/2.5 A4 - 2m    | 504475   | 1                   | 2            | 2.5              |

## LOADS



| Item        | Weight W (kg/m) | Area A (mm <sup>2</sup> ) | Moment of inertia I <sub>y</sub> (mm <sup>4</sup> ) | Moment of inertia I <sub>z</sub> (mm <sup>4</sup> ) | Section modulus W <sub>y</sub> (mm <sup>3</sup> ) | Section modulus W <sub>z</sub> (mm <sup>3</sup> ) | Max. recommended static load |               |                |              |              |
|-------------|-----------------|---------------------------|---|---|---|---|------------------------------|---------------|----------------|--------------|--------------|
|             |                 |                           |   |   |   |   | Length = .5 M                | Length = .1 M | Length = 1.5 M | Length = 2 M | Length = 3 M |
|             |                 |                           |   |   |   |   | Frec (kN)                    | Frec (kN)     | Frec (kN)      | Frec (kN)    | Frec (kN)    |
| FUS 21/2.0  | 1.44            | 172                       | 9700  | 46600   | 890   | 2270  | 1.14                         | 0.49          | 0.22           | 0.12         | 0.05         |
| FUS 21/2.5  | 1.67            | 199                       | 10300   | 52800   | 930   | 2580  | 1.19                         | 0.52          | 0.23           | 0.13         | 0.06         |
| FUS 41/2    | 2.06            | 252                       | 53300   | 76900   | 2580  | 3750  | 3.30                         | 1.65          | 1.10           | 0.67         | 0.30         |
| FUS 41/2.5  | 2.45            | 300                       | 60000   | 89900   | 2850  | 4380  | 3.65                         | 1.82          | 1.22           | 0.76         | 0.34         |
| FUS 62/2.5  | 3.27            | 405                       | 177000  | 129000  | 5620  | 6290  | 7.19                         | 3.60          | 2.40           | 1.80         | 0.99         |
| FUS 21D/2   | 2.87            | 344                       | 54900   | 93100   | 2610  | 4540  | 3.34                         | 1.67          | 1.11           | 0.69         | 0.31         |
| FUS 41D/2.5 | 4.89            | 600                       | 350100  | 179000  | 8760  | 8780  | 11.21                        | 5.61          | 3.74           | 2.80         | 1.57         |
| FUS 62D/2.5 | 6.55            | 809                       | 1110000   | 258000  | 17900   | 12580   | 22.91                        | 11.46         | 7.64           | 5.73         | 3.82         |

(1) Maximum permissible deflection under load = L/200

(2) load safety factor 1.4 is included



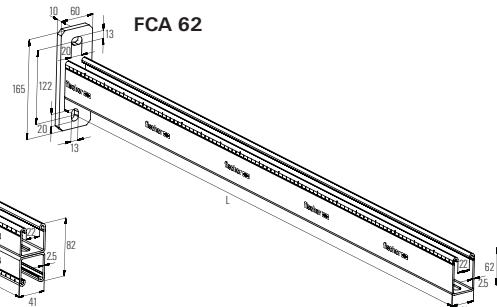
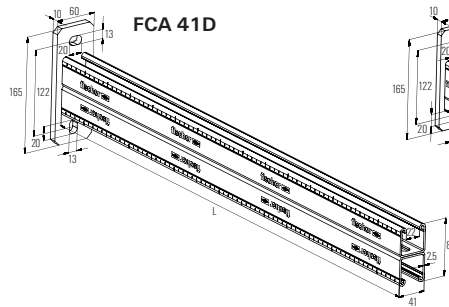
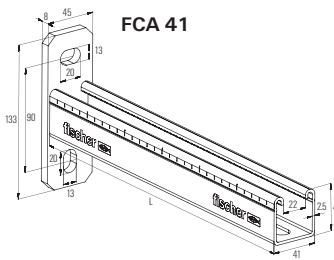
## PROPERTIES

- **Material:** Base plate: Steel (material no. 1.0330), DC01 acc. DIN EN 10139, Channel: Steel S235 JR acc. DIN EN 10025, material no. 10037
- **Zinc plating:** Electro zinc plated, min. 13 µm
- **Material HDG:** Base plate: Steel DC01 (material no. 1.0330) acc. to DIN EN 10111 and DIN EN 10139, Channel: Steel S235 JR (material no. 10037) acc. to DIN EN 10025
- **Zinc plating:** Hot-dip galvanized, approx 40 µm acc. to DIN EN ISO 1461
- **Material A4:** Stainless steel of the corrosion resistance class III, e.g. A4

## APPROVALS

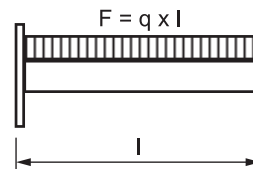
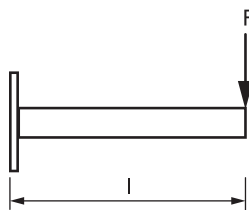
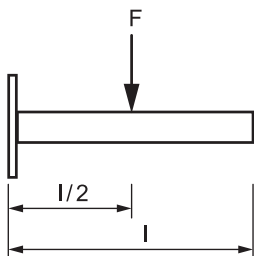


## TECHNICAL DATA



| Item            | Art.-NO. | Qty. per box (pcs.) | Profile | Weight (kg/m) | Item            | Art.-NO. | Qty. per box (pcs.) | Profile | Length (kg/m) |
|-----------------|----------|---------------------|---------|---------------|-----------------|----------|---------------------|---------|---------------|
| FCA 300         | 077359   | 1                   | 41/2.5  | 300           | FCA 450         | 077361   | 1                   | 41/2.5  | 450           |
| FCA 600         | 077363   | 1                   | 41/2.5  | 600           | FCA 750         | 077365   | 1                   | 41/2.5  | 750           |
| FCA 62 - 1000   | 504315   | 1                   | 62/2.5  | 1000          | FCA 41D 750     | 504317   | 1                   | 41D/2.5 | 750           |
| FCA 41D 1000    | 504319   | 1                   | 41D/2.5 | 1000          | FCA 300 hdg.    | 517411   | 1                   | 41/2.5  | 300           |
| FCA 450 hdg.    | 517412   | 1                   | 41/2.5  | 450           | FCA 600 hdg.    | 517413   | 1                   | 41/2.5  | 600           |
| FCA 750 hdg.    | 517414   | 1                   | 41/2.5  | 750           | FCA 41 A4 - 300 | 505487   | 1                   | -       | 300           |
| FCA 41 A4 - 450 | 505488   | 1                   | -       | 450           | FCA 41 A4 - 600 | 505489   | 1                   | -       | 600           |

## LOADS



| Item          | Art. No. | Max. recommended static load |                          |                          |
|---------------|----------|------------------------------|--------------------------|--------------------------|
|               |          | Load case 1<br>Frec (kN)     | Load case 2<br>Frec (kN) | Load case 3<br>Frec (kN) |
| FCA 300       | 077359   | 2.67                         | 1.3                      | 2.67                     |
| FCA 450       | 077361   | 1.8                          | 0.9                      | 1.8                      |
| FCA 600       | 077363   | 1.33                         | 0.67                     | 1.33                     |
| FCA 750       | 077365   | 1.05                         | 0.45                     | 1.05                     |
| FCA 62 - 1000 | 504315   | 1.7                          | 0.74                     | 1.7                      |
| FCA 41D 750   | 504317   | 3.5                          | 1.7                      | 3.5                      |
| FCA 41D 1000  | 504319   | 2.6                          | 1.3                      | 2.6                      |

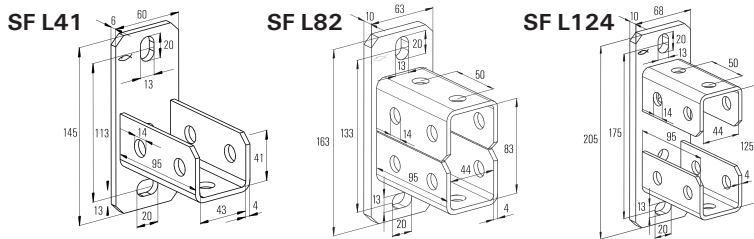
(1) Maximum permissible deflection under load = L/180  
(2) load safety factor 1.4 is included



## PROPERTIES

- **Material:** Base plate: DC01 (steel 1.0330) acc. DIN EN 10139, Channel: S235JR (material no. 1.0037) acc. to DIN EN 10025
- **Zinc plating:** Electro zinc plated, min. 8 µm
- **Material:** Base plate: Steel DC01 (material no. 1.0330) acc. to DIN EN 10139, U profile: S235 JR (material no. 1.0037) acc. to DIN EN 10025
- **Zinc plating HDG:** Hot-dip galvanized, approx 40 µm acc. to DIN EN ISO 1461
- **Material A4:** Stainless steel of corrosion resistance class III, e.g. A4

## TECHNICAL DATA

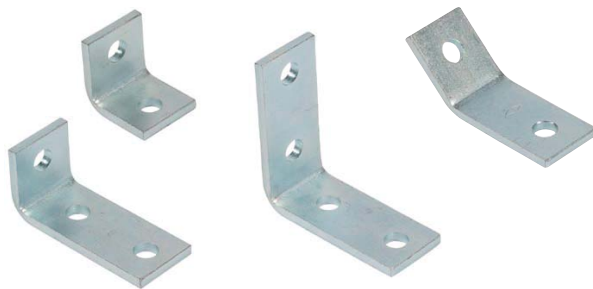


## APPROVALS



| Item         | Art.-NO. | Qty. per box (pcs.) | For profile FUS |
|--------------|----------|---------------------|-----------------|
| SF L 41      | 504355   | 10                  | 21; 41; 21D; 62 |
| SF L 82      | 504357   | 5                   | 41D             |
| SF L 124     | 504358   | 5                   | 62D             |
| SF L 41 hdg. | 517421   | 10                  | 21; 41; 21D; 62 |
| SF L 41 A4   | 504522   | 10                  | FUS 21 + FUS 41 |

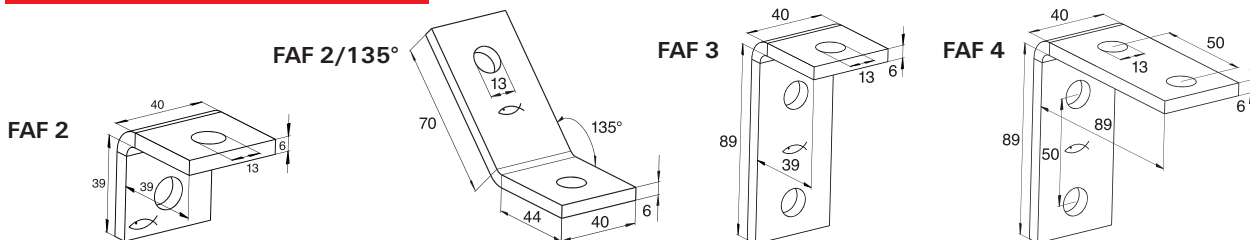
# Angle fittings FAF



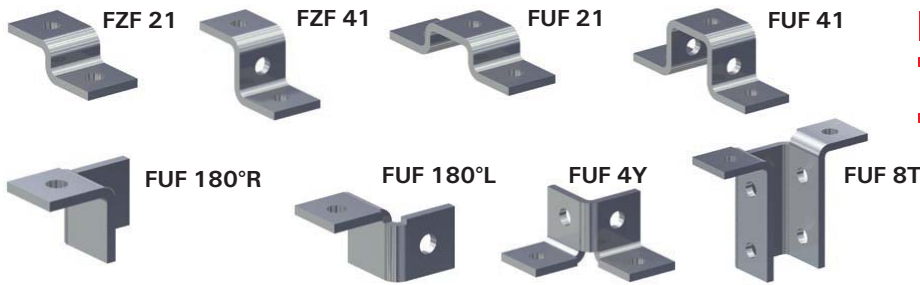
## PROPERTIES

- **Material:** Steel DD11 (material no. 1.0332) acc. to DIN EN 10111
- **Zinc plating:** Electro zinc plated, min. 5 µm
- **Material A4:** Stainless steel of the corrosion resistance class III, e.g. A4

## TECHNICAL DATA



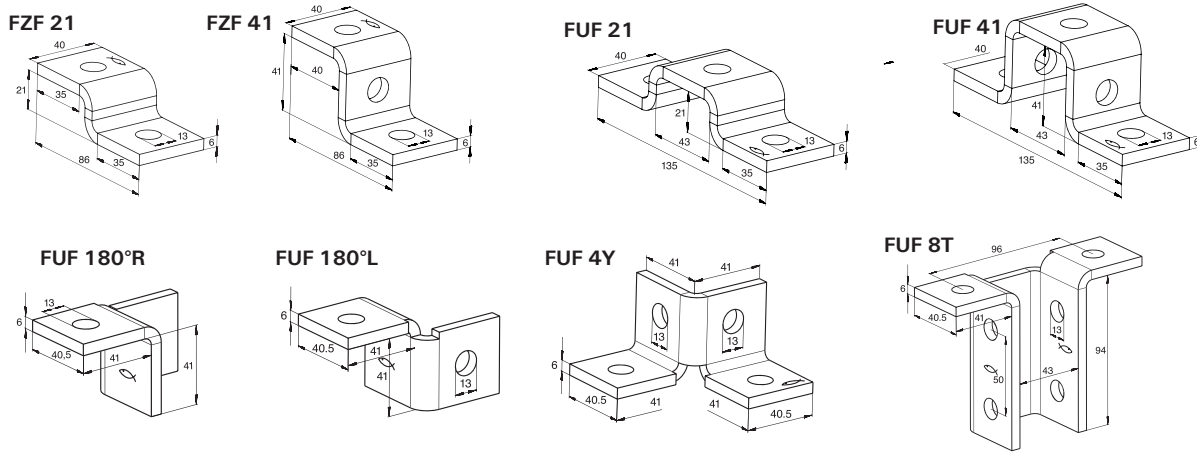
| Item                        | Art.No. | Qty. per box (pcs.) |
|-----------------------------|---------|---------------------|
| FAF 2 - angle fittings      | 504501  | 25                  |
| FAF 3 - angle fittings      | 504506  | 25                  |
| FAF 4 - angle fittings      | 504509  | 25                  |
| FAF 2/135° - angle fittings | 504369  | 25                  |
| FAF 2 A4                    | 504519  | 25                  |
| FAF 4 A4                    | 504520  | 25                  |
| FAF 2/135° A4               | 504521  | 25                  |



### PROPERTIES

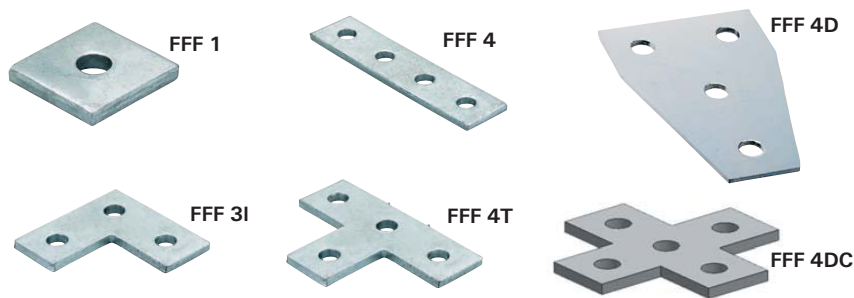
- **Material:** Steel DD11 (material no. 1.0332) acc. to DINEN10111
- **Zinc plating:** Electro zinc plated, min. 5 µm

### TECHNICAL DATA



| Item   | Art.No. | Qty. per box (pcs.) | Type      | Art.No. | Qty. per box (pcs.) |
|--------|---------|---------------------|-----------|---------|---------------------|
| FZF 21 | 504375  | 25                  | FUF 4Y    | 504378  | 20                  |
| FZF 41 | 504515  | 25                  | FUF 180°L | 504379  | 20                  |
| FUF 21 | 504376  | 25                  | FUF 180°R | 504383  | 20                  |
| FUF 41 | 504377  | 25                  | FUF 8T    | 504387  | 10                  |

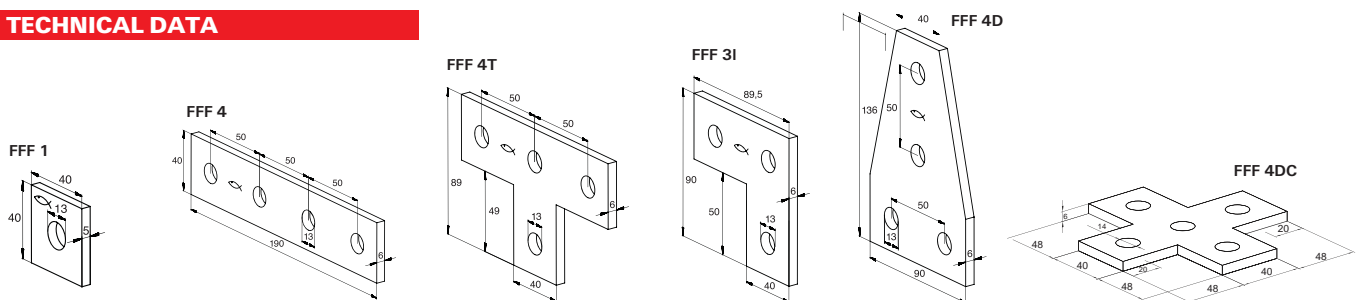
## Flat fittings FFF



### PROPERTIES

- **Material:** Steel DD11 (material no. 1.0332) acc. to DINEN10111
- **Zinc plating:** Electro zinc plated, min. 5 µm

### TECHNICAL DATA



| Item                    | Art.No. | Qty. per box (pcs.) |
|-------------------------|---------|---------------------|
| FFF 1 - Flat fitting    | 504494  | 25                  |
| FFF 3 L - Flat fitting  | 504498  | 25                  |
| FFF 4 I - Flat fitting  | 504499  | 25                  |
| FFF 4 T - Flat fitting  | 504500  | 25                  |
| FFF 4 D - Flat fitting  | 504368  | 25                  |
| FFF 4 DC - Flat fitting | 550162  | 18                  |





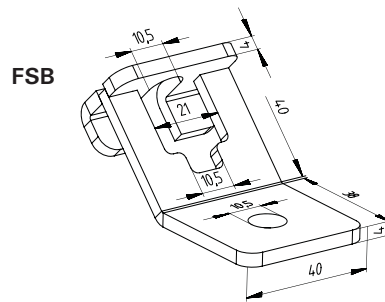
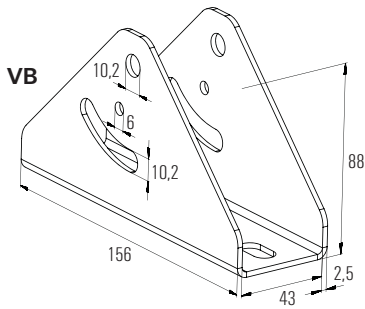
## PROPERTIES

- **Material:** Steel DD11 (material no. 1.0332) acc. to DIN EN10111
- **Zinc plating:** Electro zinc plated, min. 5 µm

## PROPERTIES

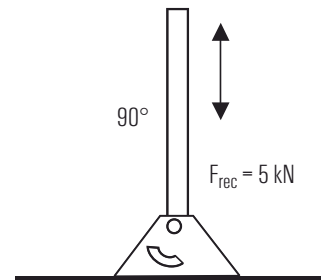
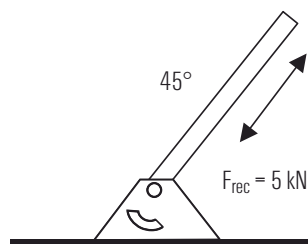
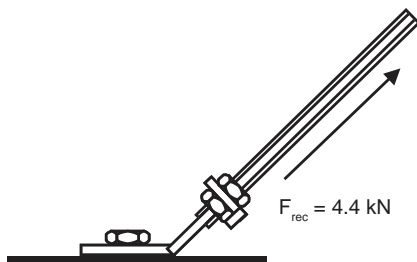
- **Material:** Steel DD11 (material no. 1.0332) acc. to DINEN10111
- **Zinc plating:** Electro zinc plated, min. 5 µm

## TECHNICAL DATA

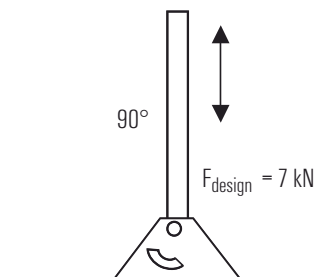
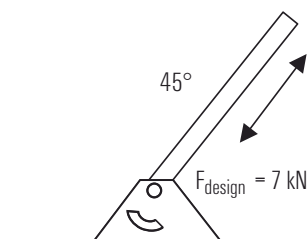
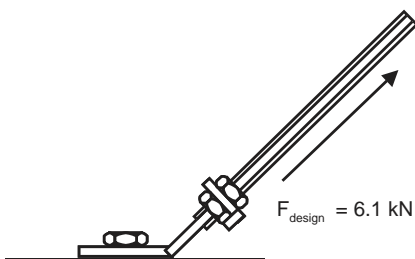


| Type    | Art.No. | Qty. per box (pcs.) |
|---------|---------|---------------------|
| FSB 45° | 71269   | 20                  |
| VB      | 04850   | 4                   |

## LOADS



\* load safety factor 1.4 is included



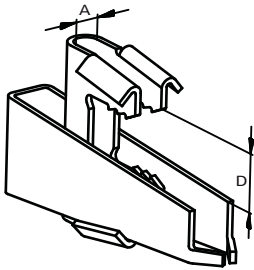


## PROPERTIES

- **Material TKLS:** Steel HX420LAD+ZAD, material no. 1.0935, DIN EN 10346
- **Zinc plating:** Electro zinc plated, min. 7 µm
- **Material SS-TKLS:** Steel DX51D acc. to EN 10214, Material no.1.0226
- **Zinc plating:** Electro zinc plated, min. 5 µm

## TECHNICAL DATA

TKLS



## APPROVALS



| Item           | Art.-NO. | Hole diameter | Clamping range | Sales unit |
|----------------|----------|---------------|----------------|------------|
|                |          | A<br>(mm)     | D<br>(mm)      | (pcs.)     |
| TKLS Ø 9       | 531134   | 9             | 8 - 20         | 25         |
| TKLS Ø 11      | 531136   | 11            | 8 - 20         | 25         |
| TKLS Ø 13      | 531137   | 13            | 8 - 20         | 25         |
| TKLS Ø 17      | 531138   | 17            | 11 - 26        | 16         |
| SS-TKL M10/M12 | 048154   | -             | -              | 25         |

## LOADS

| Item       | Art.-NO. | Recommended load         | Design load            | Recommended pipe-Ø |
|------------|----------|--------------------------|------------------------|--------------------|
|            |          | N <sub>rec</sub><br>(kN) | N <sub>d</sub><br>(kN) | acc. VDS CEA 4001  |
| TKLS Ø 9   | 531134   | 2.00                     | 2.80                   | > DN 50            |
| TKLS Ø 11T | 531136   | 3.50                     | 4.90                   | > DN 50 ≤ DN 100   |
| KLS Ø 13T  | 531137   | 5.00                     | 7.00                   | > DN 100 ≤ DN 200  |
| KLS Ø 17   | 531138   | 10.00                    | 14.00                  | > DN 200 ≤ DN 250  |

# Channel washer HK 41

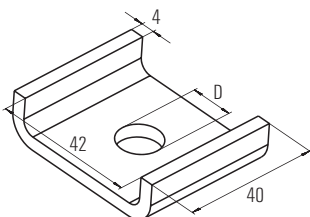


HK 41

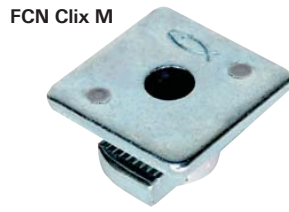
## PROPERTIES

- **Material:** Steel S235 JR (material no. 1.0037) acc. to DIN EN10025
- **Zinc plating:** Electro zinc plated, min. 8 µm
- **Material A4:** Stainless steel of the corrosion resistance class III, e.g. A4

## TECHNICAL DATA



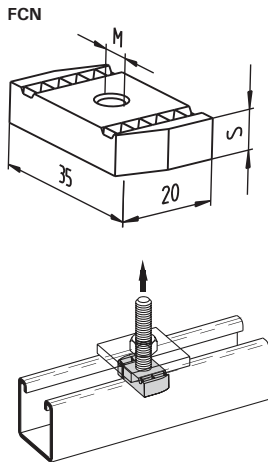
| Item            | Art.-NO. | Qty. per box | D    |
|-----------------|----------|--------------|------|
|                 |          | (pcs.)       | (mm) |
| HK 41 8.5       | 504348   | 50           | 8.5  |
| HK 41 10.5      | 504349   | 50           | 10.5 |
| HK 41 12.5      | 504354   | 50           | 12.5 |
| HK 41 12.5 - A4 | 504489   | 50           | 12.5 |



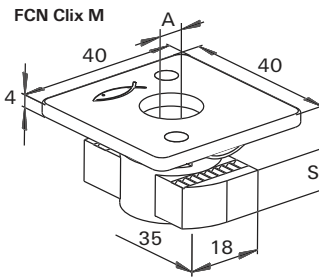
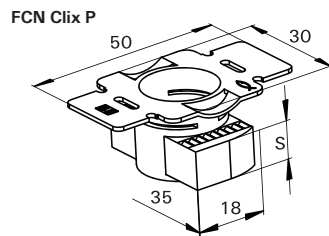
## PROPERTIES

- **Material 1:** Steel S235 JR (material no. 1.0037) acc. DIN EN 10025, plastic nylon PA6
- **Zinc plating:** Electro zinc plated, min. 5 µm
- **Material 2 HDG:** Steel S235 JR (material no. 1.0037) acc. to DIN EN 10025
- **Zinc plating HDG:** Hot-dip galvanized, approx 40 µm acc. to DIN EN ISO 1461
- **Material A4:** Stainless steel of the corrosion resistance class III, e.g. A4
- **Plastic:** Nylon PA 6
- **Material:** ISO 898-1, DIN 975 & 976 (Steel: 4.8 & 8.8)
- **Finish FCN-L:** Electro galvanized (as per ASTM B633), Electro Galvanized (as per ASTM B633),
- **Material SS316:** DIN EN ISO 3506-1

## TECHNICAL DATA



Spring nut tensile resistance



Spring nut shear resistance

| Item              | Art.-NO. | Qty. per box (pcs.) | Thread M | Thickness S (mm) | Max. tension load for FUS 2.0 mm |              | Max. tension load for FUS 2.5 mm |              | Max. shear load |              | Tightening torque for screw grade ≥ 8.8 Tinst (kN) |
|-------------------|----------|---------------------|----------|------------------|----------------------------------|--------------|----------------------------------|--------------|-----------------|--------------|--|
|                   |          |                     |          |                  | Nrec (kN)                        | Ndesign (kN) | Nrec (kN)                        | Ndesign (kN) | Vrec (kN)       | Vdesign (kN) |  |
|                   |          |                     |          |                  |                                  |              |                                  |              |                 |              |  |
| FCN Clix P 6      | 504326   | 100                 | M 6      | 6                | 3.0                              | 4.2          | 3.0                              | 4.2          | 1.0             | 1.4          | 10   |
| FCN Clix P 8      | 504327   | 100                 | M 8      | 6                | 4.0                              | 5.6          | 4.0                              | 5.6          | 2.0             | 2.8          | 20   |
| FCN Clix P 10     | 504329   | 100                 | M 10     | 8                | 5.0                              | 7.0          | 8.0                              | 11.2         | 2.5             | 3.5          | 40   |
| FCN Clix P 12     | 504331   | 100                 | M 12     | 9.5              | 5.0                              | 7.0          | 8.0                              | 11.2         | 3.0             | 4.2          | 50   |
| FCN Clix M 6      | 504344   | 100                 | M 6      | 6                | 3.0                              | 4.2          | 3.0                              | 4.2          | 1.0             | 1.4          | 10   |
| FCN Clix M 8      | 504345   | 100                 | M 8      | 6                | 4.0                              | 5.6          | 4.0                              | 5.6          | 2.0             | 2.8          | 20   |
| FCN Clix M 10     | 504346   | 100                 | M 10     | 8                | 5.0                              | 7.0          | 8.0                              | 11.2         | 2.5             | 3.5          | 40   |
| FCN Clix M 12     | 504347   | 100                 | M 12     | 9.5              | 5.0                              | 7.0          | 8.0                              | 11.2         | 3.0             | 4.2          | 50   |
| FCN Clix P 12 HDG | 517420   | 100                 | M 12     | 9.5              | 5.0                              | 7.0          | 8.0                              | 11.2         | 1.5             | 2.1          | 50   |
| FCN Clix P 8 A4   | 504436   | 100                 | M 8      | 6                | 4.0                              | 5.6          | 4.0                              | 5.6          | 2.0             | 2.8          | 20   |
| FCN Clix P 10 A4  | 504437   | 100                 | M 10     | 8                | 5.0                              | 7.0          | 8.0                              | 11.2         | 2.5             | 3.5          | 40   |
| FCN Clix P 12 A4  | 504439   | 100                 | M 12     | 9.5              | 5.0                              | 7.0          | 8.0                              | 11.2         | 3.0             | 4.2          | 50   |
| FCN Clix M 8 A4   | 504440   | 100                 | M 8      | 6                | 4.0                              | 5.6          | 4.0                              | 5.6          | 2.0             | 2.8          | 20   |
| FCN Clix M 10 A4  | 504447   | 100                 | M 10     | 8                | 5.0                              | 7.0          | 8.0                              | 11.2         | 2.5             | 3.5          | 40   |
| FCN 6             | 77405    | 100                 | M 6      | 6                | 3.0                              | 4.2          | 3.0                              | 4.2          | 1.0             | 1.4          | 10   |
| FCN 8             | 77407    | 100                 | M 8      | 6                | 4.0                              | 5.6          | 4.0                              | 5.6          | 2.0             | 2.8          | 20   |
| FCN 10            | 77409    | 100                 | M 10     | 8                | 5.0                              | 7.0          | 8.0                              | 11.2         | 2.5             | 3.5          | 40   |
| FCN 12            | 77411    | 100                 | M 12     | 9                | 5.0                              | 7.0          | 8.0                              | 11.2         | 2.5             | 3.5          | 50   |

| Item    | Art.-NO. GI | Art.-NO. HDG | Art.-NO. SS316 | Spring length (mm) | Thread D | Max. tension load for FUS 2.0 mm |              | Max. tension load for FUS 2.5 mm |              | Max. shear load |              | Tightening torque for screw grade ≥ 8.8 Tinst (kN) |
|---------|-------------|--------------|----------------|--------------------|----------|----------------------------------|--------------|----------------------------------|--------------|-----------------|--------------|--|
|         |             |              |                |                    |          | Nrec (kN)                        | Ndesign (kN) | Nrec (kN)                        | Ndesign (kN) | Vrec (kN)       | Vdesign (kN) |  |
|         |             |              |                |                    |          |                                  |              |                                  |              |                 |              |  |
| FCN-L6  | 516750      | 516765       | 516774         | 6                  | M 6      | 3.0                              | 4.2          | 3.0                              | 4.2          | 1.0             | 1.4          | 10   |
| FCN-L8  | 516751      | 516766       | 516775         | 6                  | M 8      | 4.0                              | 5.6          | 4.0                              | 5.6          | 2.0             | 2.8          | 20   |
| FCN-L10 | 516752      | 516767       | 516776         | 8                  | M 10     | 5.0                              | 7.0          | 8.0                              | 11.2         | 2.5             | 3.5          | 40   |
| FCN-L12 | 516753      | 516768       | -              | 9                  | M 12     | 5.0                              | 7.0          | 8.0                              | 11.2         | 2.5             | 3.5          | 50   |
| FCN-L12 | -           | -            | 516777         | 9.2                | M 12     | 5.0                              | 7.0          | 8.0                              | 11.2         | 2.5             | 3.5          | 50   |
| FCN-L12 | -           | 516769       | -              | 12                 | M 12     | 5.0                              | 7.0          | 8.0                              | 11.2         | 2.5             | 3.5          | 50   |

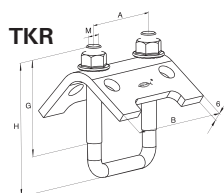


Channel to steelbeam

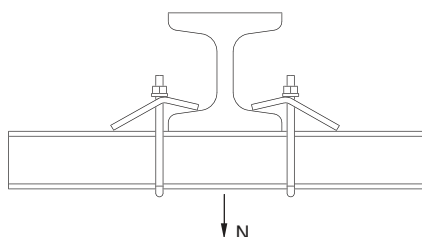
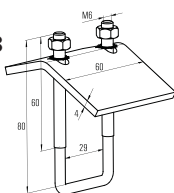
## PROPERTIES

- **Material:** Plate / U-bolt pipe hanger: Steel S235 JR (material no. 1.0037) acc. DINEN10025 Hexagon nut: Steel acc. ISO 898-2 resistance min. 4
- **Zinc plating:** Electro zinc plated, min. 5 µm
- **Material A4:** Stainless steel of the corrosion resistance class III, e.g. A4

## TECHNICAL DATA



TKR 27/18



| Item           | Art.-NO. | Qty. per box (pcs.) | For profile              | Width B (mm) | Hight H (mm) | Hight g (mm) | Thread M (mm) | Width A (mm) | Fixing thickness (mm) | Max. load(tension) |              |
|----------------|----------|---------------------|--------------------------|--------------|--------------|--------------|---------------|--------------|-----------------------|--------------------|--------------|
|                |          |                     |                          |              |              |              |               |              |                       | Nrecom (kN)        | Ndesign (kN) |
| TKR 21 - 41    | 504363   | 20                  | MS 38/40 - FUS 21/41/21D | 79           | 97           | 48           | 8             | 52           | -                     | 5.0                | 7.0          |
| TKR 82         | 504366   | 20                  | MS 40/60 - FUS 62/41D    | 79           | 137          | 80           | 10            | 54           | -                     | 10.0               | 14.0         |
| TKR 124        | 504367   | 10                  | MS 40/120 - FUS 62D      | 79           | 179          | 80           | 10            | 54           | -                     | 10.0               | 14.0         |
| TKR 27/18      | 079411   | 25                  | 27/18 + 28/30            | -            | -            | -            | -             | -            | 0-29                  | 2.8                | 3.9          |
| TKR 21 - 41 A4 | 504476   | 20                  | FUS 21 - FUS 41          | -            | -            | -            | -             | -            | -                     | 5.0                | 7.0          |

# Clamp hanger TKL



Heavy drainage pipe on beam clamp

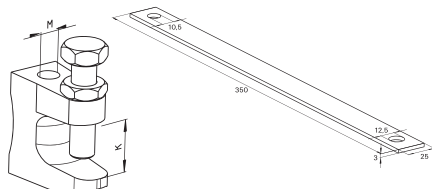
## PROPERTIES

- **Material TKL:** TKL: Malleable cast iron EN-GJMB-350-10 acc. to DIN 1562 Bolt: Steel 8.8 acc. ISO 4017 Nut: Steel acc. ISO 4035, resistance min. 4
- **Material SS-TKL:** Steel DX51D acc. to EN 10214, material no. 1.0226
- **Zinc plating:** Electro zinc plated, min. 5 µm

## APPROVALS



## TECHNICAL DATA



| Item             | Art.-NO. | Qty. per box (pcs.) | Clamping range K (mm) | EYE Ø D | Stamp on item | Max. load(tension) |              |
|------------------|----------|---------------------|-----------------------|---------|---------------|--------------------|--------------|
|                  |          |                     |                       |         |               | Nrecom (kN)        | Ndesign (kN) |
| TKL L M8         | 064055   | 50                  | 0-18                  | M 8     | TK M 8        | 1.2                | 1.6          |
| TKL M8           | 079687   | 50                  | 0-23                  | M 8     | TK 10         | 2.5                | 3.5          |
| TKL Ø 9          | 077605   | 50                  | 0-18                  | 9       | TK N 8        | 1.2                | 1.6          |
| TKL M10          | 079688   | 50                  | 0-20                  | M 10    | TK N 10       | 2.5                | 3.5          |
| TKL Ø 11         | 079689   | 50                  | 0-20                  | 11      | TK N 10       | 2.5                | 3.5          |
| TKL M12          | 020949   | 50                  | 0-26                  | M 12    | TK 12         | 3.5                | 4.9          |
| TKL Ø 13         | 043275   | 50                  | 0-26                  | 13      | TK 12         | 3.5                | 4.9          |
| SS-TKL M 10/M 12 | 048154   | 25                  | -                     | 10/12   | SS- TKR       | -                  | -            |

\* SS-TKL M 10/M 12 only require in case design according to VdS approval



WK



UW S



Suspended pipe under angle bracket

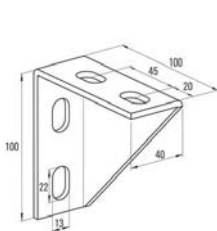
### PROPERTIES - WK

- **Material:** Steel DD11 (material no. 1.0332) acc. to DIN EN10111
- **Zinc plating:** Electro zinc plated, min. 5 µm

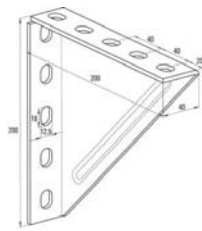
### PROPERTIES - UW S

- **Material:** Steel DD11 (material no. 1.0332) acc. to DINEN10111
- **Zinc plating:** Electro zinc plated, min. 5 µm

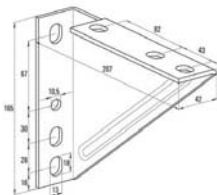
### TECHNICAL DATA



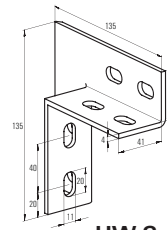
WK 100/100



WK 200/200



WK 207/165

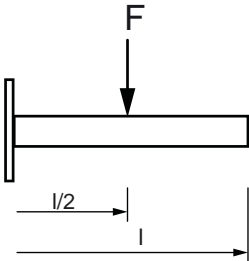


UW S

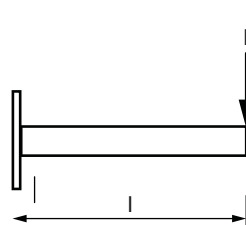
| Item       | Art.-NO. | Qty. per box (pcs.) |
|------------|----------|---------------------|
| WK 100/100 | 063559   | 5                   |
| WK 200/200 | 079570   | 5                   |
| WK 207/165 | 079571   | 6                   |
| UW S       | 49479    | 4                   |

### LOADS

#### LOAD CASE 1



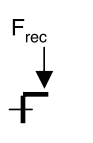
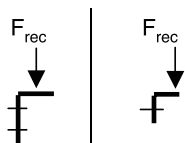
#### LOAD CASE 2



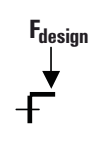
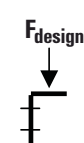
| Item       | Art.-NO. | Max. static load case 1  |                          | Max. static load case 2  |                          |
|------------|----------|--------------------------|--------------------------|--------------------------|--------------------------|
|            |          | F <sub>recom.</sub> (kN) | F <sub>design</sub> (kN) | F <sub>recom.</sub> (kN) | F <sub>design</sub> (kN) |
| WK 100/100 | 063559   | -                        | -                        | 4.0                      | 5.6                      |
| WK 200/200 | 079570   | 4.0                      | 5.6                      | 1.8                      | 2.5                      |
| WK 207/165 | 079571   | -                        | -                        | 1.8                      | 2.5                      |

### LOADS - UW S

support on both sides



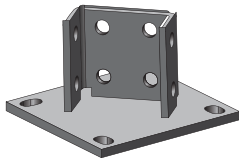
support on both sides



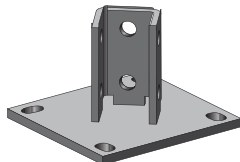
| Connector     | Channel   | Double | Single | Torque (Nm) |
|---------------|-----------|--------|--------|-------------|
|               |           | (kN)   | (kN)   |             |
| FCN P<br>M 10 | 41/21-2   | 5      | 2.5    | 40          |
|               | 41/21-2.5 | 5      | 2.5    | 40          |
|               | 41/41-2   | 5      | 2.5    | 40          |
|               | 41/41-2.5 | 5      | 2.5    | 40          |
|               | 41/62-2.5 | 5      | 2.5    | 40          |

| Connector     | Channel   | Double | Single | Torque (Nm) |
|---------------|-----------|--------|--------|-------------|
|               |           | (kN)   | (kN)   |             |
| FCN P<br>M 10 | 41/21-2   | 7      | 3.5    | 40          |
|               | 41/21-2.5 | 7      | 3.5    | 40          |
|               | 41/41-2   | 7      | 3.5    | 40          |
|               | 41/41-2.5 | 7      | 3.5    | 40          |
|               | 41/62-2.5 | 7      | 3.5    | 40          |

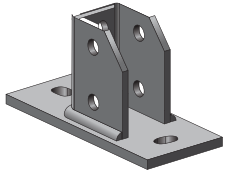
\* load safety factor 1.4 is included



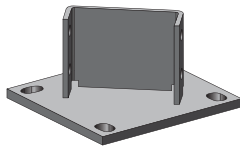
FBP 41D



FBP 41H



FBP 41N

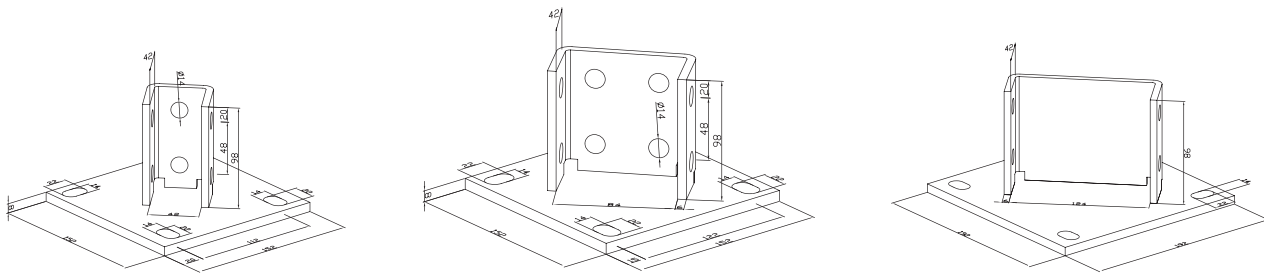


FBP 62D

### PROPERTIES

- **Material:** Q235 high-quality carbon steel, profile thickness 8 mm
- **Surface treatment:** Galvanized, min 5 µm  
Hot dip galvanized, min 45 µm  
Epoxy coated, min 60 µm

### TECHNICAL DATA



| Item    | Art.-NO. |        |        | Qty. per box (pcs.) |
|---------|----------|--------|--------|---------------------|
|         | HDG      | Gal.   | Epoxy  |                     |
| FBP 41H | 550450   | 550454 | 550458 | 4                   |
| FBP 41D | 550451   | 550455 | 550459 | 4                   |
| FBP 41N | 550467   | 550469 | 550602 | 6                   |
| FBP 62D | 550453   | 550457 | 550461 | 4                   |

# Cover cap FEC



FEC 21 B



FEC 41 B



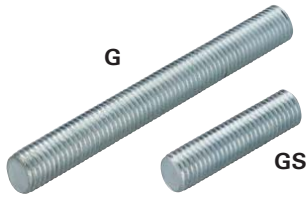
FEC 62 B

### PROPERTIES

- **Material:** Polyethylene, black

### TECHNICAL DATA

| Item     | Art.-NO. | Qty. per box | Fits to          |
|----------|----------|--------------|------------------|
|          |          | (pcs.)       |                  |
| FEC 21 B | 077357   | 100          | FUS 21, FUS 21 D |
| FEC 41 B | 077355   | 100          | FUS 41, FUS 41 D |
| FEC 62 B | 505551   | 100          | FUS 62, FUS 62 D |
| FEC 21   | 109551   | 100          | FUS 21, FUS 21 D |
| FEC 41   | 109548   | 100          | FUS 41, FUS 41 D |



### PROPERTIES THREADED ROD G

- **Material (G 6 – G 24):** DIN 976 Steel 4.8 acc. to DIN EN ISO 898-1
- **Material (G 1/2" – G 3/4"):** Steel S235 JR (material no. 1.0037) acc. to DIN EN 10025
- **Zinc plating:** Electro zinc plated, 5 - 8 µm

### PROPERTIES THREADED STUD GS

- **Material:** DIN 976 Steel 4.6 acc. to DIN EN ISO 898-1
- **Zinc plating:** Electro zinc plated, 3 - 8 µm

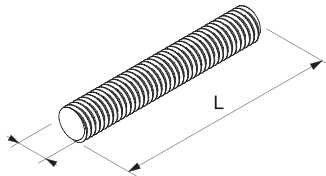
### PROPERTIES THREADED STUD GS A4

- **Material A4:** Stainless steel of the corrosion resistance class III, e.g. A4

### PROPERTIES THREADED ROD G A2/A4

- **Material A2:** Stainless steel of the corrosion resistance class II, e.g. A2
- **Material A2:** Stainless steel of the corrosion resistance class III, e.g. A4

### TECHNICAL DATA



| Item                       | Art.-NO. | Qty. per box (pcs.) | Length L (mm) | Thread M | Type                    | Art.-NO. | Qty. per box (pcs.) | Length L (mm) | Thread M |
|----------------------------|----------|---------------------|---------------|----------|-------------------------|----------|---------------------|---------------|----------|
| <b>Threaded rod G</b>      |          |                     |               |          | <b>Threaded stud GS</b> |          |                     |               |          |
| G 6                        | 020956   | 50                  | 1000          | M 6      | GS 8/25                 | 079750   | 100                 | 25            | M 8      |
| G 8                        | 079740   | 25                  | 1000          | M 8      | GS 8/40                 | 079751   | 100                 | 40            | M 8      |
| G 10                       | 079744   | 25                  | 1000          | M 10     | GS 8/50                 | 079752   | 100                 | 50            | M 8      |
| G 12                       | 020957   | 20                  | 1000          | M 12     | GS 8/60                 | 079753   | 100                 | 60            | M 8      |
| G 16                       | 020958   | 10                  | 1000          | M 16     | GS 8/70                 | 079754   | 100                 | 70            | M 8      |
| G 20                       | 557295   | 5                   | 1000          | M 20     | GS 8/80                 | 079755   | 100                 | 80            | M 8      |
| G 24                       | 557270   | 5                   | 1000          | M 24     | GS 8/100                | 079757   | 100                 | 100           | M 8      |
| G 8/2                      | 079741   | 25                  | 2000          | M 8      | GS 8/150                | 079758   | 50                  | 150           | M 8      |
| G 10/2                     | 079745   | 25                  | 2000          | M 10     | GS 8/200                | 079759   | 50                  | 200           | M 8      |
| G 12/2                     | 579746   | 25                  | 2000          | M 12     | GS 10/25                | 079765   | 100                 | 25            | M 10     |
| G 10/3                     | 557092   | 5                   | 3000          | M 10     | GS 10/40                | 079766   | 100                 | 40            | M 10     |
| G 12/3                     | 064056   | 5                   | 3000          | M 12     | GS 10/60                | 079767   | 100                 | 60            | M 10     |
| G 1/2"                     | 064093   | 10                  | 2000          | 1/2"     | GS 10/80                | 079768   | 100                 | 80            | M 10     |
| G 3/4"                     | 077580   | 5                   | 2000          | 3/4"     | GS 10/100               | 079769   | 100                 | 100           | M 10     |
| <b>Stainless Steel A2</b>  |          |                     |               |          | GS 10/120               | 079770   | 50                  | 120           | M 10     |
| G 8 A2                     | 77644    | 5                   | 1000          | M 8      | GS 10/150               | 079771   | 50                  | 150           | M 10     |
| G 10 A2                    | 65173    | 5                   | 1000          | M 10     | GS 10/200               | 079772   | 50                  | 200           | M 10     |
| <b>Stainless Steel A4</b>  |          |                     |               |          | GS 12/40                | 091442   | 100                 | 40            | M 12     |
| G 8 A4                     | 77645    | 5                   | 1000          | M 8      | GS 12/60                | 091443   | 100                 | 60            | M 12     |
| G 10 A4                    | 65174    | 5                   | 1000          | M 10     | GS 12/80                | 091444   | 100                 | 80            | M 12     |
| <b>Threaded stud GS A4</b> |          |                     |               |          | GS 12/100               | 091461   | 100                 | 100           | M 12     |
| GS 8/40 A4                 | 505536   | 100                 | 40            | M 8      | GS 12/120               | 091462   | 50                  | 120           | M 12     |
| GS 8/60 A4                 | 505537   | 100                 | 60            | M 8      | GS 12/150               | 091463   | 50                  | 150           | M 12     |
| GS 10/40 A4                | 505538   | 100                 | 40            | M 10     | GS 12/200               | 091464   | 50                  | 200           | M 12     |
| GS 10/60 A4                | 505539   | 100                 | 60            | M 10     | -                       | -        | -                   | -             | -        |

### LOADS

#### Technical Data - Threaded Rod GS

| Item  | Weight (kg/m <sup>1</sup> ) | Stressed area (mm <sup>2</sup> ) | Moment of inertia (mm <sup>4</sup> ) | Section modulus (mm <sup>3</sup> ) | Permissible tensile force (kN) |
|-------|-----------------------------|----------------------------------|--------------------------------------|------------------------------------|--------------------------------|
| GS 8  | 0.39                        | 37                               | 201                                  | 50                                 | 5.3                            |
| GS 10 | 0.61                        | 58                               | 491                                  | 98                                 | 8.4                            |
| GS 12 | 0.88                        | 84                               | 1018                                 | 170                                | 12.1                           |

(1) - Yield strength = 240 Mpa (2) -Material safety factor = 1.2 & Load safety factor 1.4 are included

#### Technical Data - Threaded Rod G

| Item | Weight (kg/m <sup>1</sup> ) | Stressed area (mm <sup>2</sup> ) | Moment of inertia (mm <sup>4</sup> ) | Section modulus (mm <sup>3</sup> ) | Permissible tensile force (kN) |
|------|-----------------------------|----------------------------------|--------------------------------------|------------------------------------|--------------------------------|
| G 6  | 0.22                        | 20                               | 64                                   | 21                                 | 3.9                            |
| G 8  | 0.39                        | 37                               | 201                                  | 50                                 | 7.0                            |
| G 10 | 0.61                        | 58                               | 491                                  | 98                                 | 11.1                           |
| G 12 | 0.88                        | 84                               | 1018                                 | 170                                | 16.2                           |
| G 14 | 1.20                        | 115                              | 1885                                 | 269                                | 22.2                           |
| G 16 | 1.57                        | 157                              | 3216                                 | 402                                | 30.1                           |
| G 18 | 1.99                        | 192                              | 5152                                 | 572                                | 37.0                           |
| G 20 | 2.45                        | 245                              | 7853                                 | 785                                | 47.0                           |
| G 22 | 2.97                        | 303                              | 11497                                | 1045                               | 58.3                           |
| G 24 | 3.53                        | 353                              | 16283                                | 1357                               | 67.7                           |

(1) - Yield strength = 320 Mpa (2) -Material safety factor = 1.2 & Load safety factor 1.4 are included



TRS

### PROPERTIES

- **Material (G 6 – G 24):** Steel 4.8 acc. to ISO 898 - 1
- **Zinc plating:** Electro Galvanized, 5 - 8 µm

### TECHNICAL DATA

| Item           | Art.-NO. | Qty. per box<br>(pcs.) | Length | Thread |
|----------------|----------|------------------------|--------|--------|
| TRS 6x1 mtr GI | 516559   | 50                     | 1000   | M 6    |
| TRS 8x1 mtr GI | 516560   | 25                     | 1000   | M 8    |
| TRS 10x1mtr GI | 516561   | 25                     | 1000   | M 10   |
| TRS 12x1mtr GI | 516562   | 20                     | 1000   | M 12   |
| TRS 16x1mtr GI | 516581   | 10                     | 1000   | M 16   |
| TRS 20x1mtr GI | 516564   | 5                      | 1000   | M 20   |
| TRS 24x1mtr GI | 516565   | 5                      | 1000   | M 24   |
| TRS 6x2mtr GI  | 516568   | 25                     | 2000   | M 6    |
| TRS 8x2mtr GI  | 516569   | 25                     | 2000   | M 8    |
| TRS 10x2mtr GI | 516570   | 25                     | 2000   | M 10   |
| TRS 12x2mtr GI | 516571   | 25                     | 2000   | M 12   |
| TRS 16x2mtr GI | 516563   | 10                     | 2000   | M 16   |
| TRS 6x3mtr GI  | 516588   | 25                     | 3000   | M 6    |
| TRS 8x3mtr GI  | 516573   | 25                     | 3000   | M 8    |
| TRS 10x3mtr GI | 516574   | 20                     | 3000   | M 10   |
| TRS 12x3mtr GI | 516575   | 10                     | 3000   | M 12   |
| TRS 16x3mtr GI | 516572   | 5                      | 3000   | M 16   |

# Threaded rod TRSL



TRSL

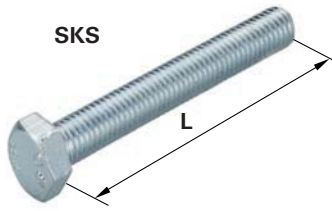
### PROPERTIES

- **Material:** ISO 898-1, DIN 975 & 976 (Steel: 4.8)
- **Finish:** Hot Dip Galvanized (as per ASTM A 153)
- **Material SS316:** DIN EN ISO 3506-1

### TECHNICAL DATA

| Item          | Art.-NO.<br>HDG 4.8 | Art.-NO.<br>SS 316 | Length | Thread |
|---------------|---------------------|--------------------|--------|--------|
| TRSL 6x2 mtr  | 516576              | 516584             | 2000   | M 6    |
| TRSL 8x2 mtr  | 516578              | 516585             | 2000   | M 8    |
| TRSL 10x2 mtr | 516579              | 516586             | 2000   | M 10   |
| TRSL 12x2 mtr | 516580              | 516587             | 2000   | M 12   |
| TRSL 16x2 mtr | 516582              | 516647             | 2000   | M 16   |
| TRSL 8x3 mtr  | 516583              | 516589             | 3000   | M 8    |
| TRSL 10x3 mtr | 516557              | 516590             | 3000   | M 10   |
| TRSL 12x3 mtr | 516558              | 516591             | 3000   | M 12   |





## PROPERTIES

- **Zinc plating:** Electro zinc plated, 3 – 8 µm acc. DIN-EN-ISO 4017, steel 8.8
- **Material A4:** Stainless steel of the corrosion resistance class III, e.g. A4

## TECHNICAL DATA

| Item               | Art.-NO. | Qty. per box (pcs.) | Length L (mm) | Thread D | Width across nut SW |
|--------------------|----------|---------------------|---------------|----------|---------------------|
| SKS 6 x 20         | 079711   | 100                 | 20            | M 6      | 10                  |
| SKS 8 x 16         | 079415   | 100                 | 16            | M 8      | 13                  |
| SKS 8 x 30         | 079713   | 100                 | 30            | M 8      | 13                  |
| SKS 8 x 45         | 079714   | 100                 | 45            | M 8      | 13                  |
| SKS 8 x 55         | 079715   | 100                 | 55            | M 8      | 13                  |
| SKS 8 x 100        | 079827   | 100                 | 100           | M 8      | 13                  |
| SKS 10 x 20        | 079416   | 100                 | 20            | M 10     | 17                  |
| SKS 10 x 30        | 079417   | 100                 | 30            | M 10     | 17                  |
| SKS 10 x 55        | 079721   | 100                 | 55            | M 10     | 17                  |
| SKS 10 x 85        | 505552   | 100                 | 85            | M 10     | 17                  |
| SKS 12 x 20        | 077610   | 100                 | 20            | M 12     | 19                  |
| SKS 12 x 55        | 077611   | 100                 | 55            | M 12     | 19                  |
| SKS 12 x 85        | 505553   | 100                 | 85            | M 12     | 19                  |
| Stainless steel A4 |          |                     |               |          |                     |
| SKS M 10 x 30 A4   | 505547   | 100                 | -             | M 10     | 17                  |
| SKS M 12 x 30 A4   | 505548   | 100                 | -             | M 12     | 19                  |

# Hexagonal Bolt SKSL

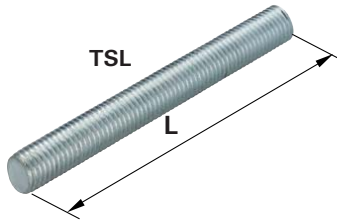


## PROPERTIES

- **Material:** DIN 933 (Steel: 8.8)
- **Finish:** Electro Galvanized (as per ASTM B633), Hot Dip Galvanized (as per ASTM A153)
- **Material SS316:** DIN EN ISO 3506-1

## TECHNICAL DATA

| Item          | Art.-NO. GI 8.8 | Art.-NO. HDG 8.8 | Art.-NO. SS 316 | Length L (mm) | Thread D | Item          | Art.-NO. GI 8.8 | Art.-NO. HDG 8.8 | Art.-NO. SS 316 | Length L (mm) | Thread D |
|---------------|-----------------|------------------|-----------------|---------------|----------|---------------|-----------------|------------------|-----------------|---------------|----------|
| SKSL M 6x16   | 516755          | -                | -               | 16            | M 6      | SKSL M 12x25  | 516786          | -                | -               | 25            | M 12     |
| SKSL M 6x20   | -               | 516797           | -               | 20            | M 6      | SKSL M 12x30  | -               | 516595           | -               | 30            | M 12     |
| SKSL M 6x25   | 516756          | 516798           | 516606          | 25            | M 6      | SKSL M 12x35  | 516787          | -                | -               | 35            | M 12     |
| SKSL M 6x40   | 516757          | -                | -               | 40            | M 6      | SKSL M 12x40  | 516788          | -                | 516615          | 40            | M 12     |
| SKSL M 6x50   | -               | -                | 516607          | 50            | M 6      | SKSL M 12x50  | 516789          | -                | 516616          | 50            | M 12     |
| SKSL M 8x16   | 516758          | -                | -               | 16            | M 8      | SKSL M 12x55  | -               | 516596           | 516617          | 55            | M 12     |
| SKSL M 8x20   | 516759          | 516799           | -               | 20            | M 8      | SKSL M 12x60  | 516790          | -                | 516618          | 60            | M 12     |
| SKSL M 8x25   | 516761          | -                | -               | 25            | M 8      | SKSL M 12x75  | -               | -                | 516619          | 75            | M 12     |
| SKSL M 8x30   | 516763          | -                | -               | 35            | M 8      | SKSL M 12X100 | -               | -                | 516620          | 100           | M 12     |
| SKSL M 8x35   | 516762          | 516800           | -               | 30            | M 8      | SKSL M 12X110 | -               | -                | 516621          | 110           | M 12     |
| SKSL M 8x45   | 516764          | -                | -               | 45            | M 8      | SKSL M 12x120 | -               | -                | 516622          | 120           | M 12     |
| SKSL M 8x55   | 516778          | -                | -               | 55            | M 8      | SKSL M 16x30  | 516791          | -                | -               | 30            | M 16     |
| SKSL M 8x80   | -               | 516552           | -               | 80            | M 8      | SKSL M 16x35  | 516792          | -                | -               | 35            | M 16     |
| SKSL M 10x16  | 516779          | -                | -               | 16            | M 10     | SKSL M 16x40  | 516793          | -                | -               | 40            | M 16     |
| SKSL M 10x20  | 516780          | 516553           | -               | 20            | M 10     | SKSL M 16x50  | 516794          | -                | -               | 50            | M 16     |
| SKSL M 10x25  | 516781          | 516554           | 516608          | 25            | M 10     | SKSL M 16x55  | -               | 516597           | -               | 55            | M 16     |
| SKSL M 10x30  | 516782          | 516555           | -               | 30            | M 10     | SKSL M 16x70  | 516795          | -                | -               | 70            | M 16     |
| SKSL M 10x35  | 516783          | -                | -               | 35            | M 10     | SKSL M 16x80  | -               | 516598           | 516623          | 80            | M 16     |
| SKSL M 10x40  | -               | 516556           | -               | 40            | M 10     | SKSL M 16x100 | -               | 516599           | 516624          | 100           | M 16     |
| SKSL M 10x50  | -               | 516592           | 516609          | 50            | M 10     | SKSL M 20x40  | 516796          | -                | -               | 40            | M 20     |
| SKSL M 10x55  | 516784          | -                | -               | 55            | M 10     | SKSL M 20X90  | -               | 516600           | -               | 90            | M 20     |
| SKSL M 10x60  | -               | 516593           | 516610          | 60            | M 10     | SKSL M 20X125 | -               | 516601           | 516625          | 125           | M 20     |
| SKSL M 10x70  | -               | -                | 516611          | 70            | M 10     | SKSL M 20X130 | -               | 516602           | -               | 130           | M 20     |
| SKSL M 10x90  | -               | -                | 516612          | 90            | M 10     | SKSL M 22X80  | -               | -                | 516626          | 80            | M 22     |
| SKSL M 10x100 | -               | 516594           | -               | 100           | M 10     | SKSL M 22X100 | -               | 516603           | -               | 100           | M 22     |
| SKSL M 10x110 | -               | -                | 516613          | 110           | M 10     | SKSL M 24X150 | -               | 516604           | 516627          | 150           | M 24     |
| SKSL M 10x120 | -               | -                | 516614          | 120           | M 10     | SKSL M 24X180 | -               | 516605           | -               | 180           | M 24     |
| SKSL M 12x20  | 516785          | -                | -               | 20            | M 12     | -             | -               | -                | -               | -             | -        |



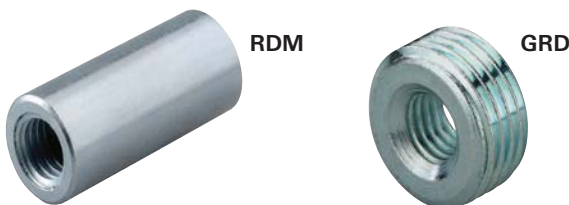
### PROPERTIES

- **Material:** ISO 898-1, DIN 975 & 976 (Steel: 8.8)
- **Finish:** Electro Galvanized (as per ASTM B633), Hot Dip Galvanized (as per ASTM A153)
- **Material SS316:** DIN EN ISO 3506-1

### TECHNICAL DATA

| Item       | Art.-NO. |         | Art.-NO. | Length<br>L<br>(mm) | Thread<br>M |
|------------|----------|---------|----------|---------------------|-------------|
|            | GI 8.8   | HDG 8.8 |          |                     |             |
| M 8 x 80   | -        | -       | 516659   | 80                  | M 8         |
| M 8 x 110  | -        | -       | 516660   | 110                 | M 8         |
| M 8 x 150  | -        | 516649  | 516661   | 150                 | M 8         |
| M 10 x 100 | -        | -       | 516634   | 100                 | M 10        |
| M 10 x 120 | -        | -       | 516635   | 120                 | M 10        |
| M 10 x 140 | -        | 516650  | -        | 140                 | M 10        |
| M 10 x 150 | -        | -       | 516636   | 150                 | M 10        |
| M 10 x 190 | -        | 516651  | 516637   | 190                 | M 10        |
| M 12 x 120 | -        | -       | 516638   | 120                 | M 12        |
| M 12 x 150 | -        | 516652  | 516639   | 150                 | M 12        |
| M 12 x 200 | -        | 516653  | 516640   | 200                 | M 12        |
| M 16 x 60  | 516628   | -       | -        | 60                  | M 16        |
| M 16 x 80  | 516629   | -       | -        | 80                  | M 16        |
| M 16 x 100 | 516630   | -       | -        | 100                 | M 16        |
| M 16 x 150 | 516631   | -       | 516641   | 150                 | M 16        |
| M 16 x 200 | -        | 516654  | 516642   | 200                 | M 16        |
| M 16 x 300 | -        | 516655  | 516643   | 300                 | M 16        |
| M 16 x 380 | -        | -       | 516644   | 380                 | M 16        |
| M 20 x 180 | -        | -       | 516645   | 180                 | M 20        |
| M 20 x 260 | -        | 516656  | 505536   | 260                 | M 20        |
| M 20 x 350 | -        | -       | 505537   | 350                 | M 20        |
| M 20 x 380 | 516633   | 516657  | -        | 380                 | M 20        |
| M 20 x 450 | -        | -       | 505538   | 450                 | M 20        |
| M 24 x 300 | 516648   | 516658  | 505539   | 300                 | M 20        |
| M 24 x 450 | -        | -       | 516646   | 450                 | M 24        |

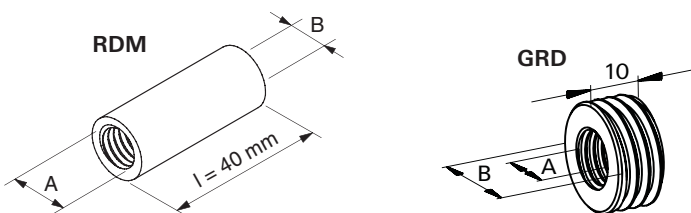
## Reduction socket RDM and GRD



### PROPERTIES

- **Material:** 11SMnPb30 (material no. 1.0277) acc. to DIN EN 10277
- **Zinc plating:** Electro zinc plated, 3-8 µm

### TECHNICAL DATA



| Item           | Art.-NO. | Qty. per box<br>(pcs.) | Thread<br>A | Length<br>B |
|----------------|----------|------------------------|-------------|-------------|
|                |          |                        |             |             |
| RDM M 12 / M10 | 079414   | 100                    | M 12        | M 10        |
| GRD 1/2" / M10 | 077609   | 100                    | M 10        | 1/2"        |
| GRD 1/2" / M12 | 077608   | 100                    | M 12        | 1/2"        |
| GRD 3/4" / M10 | 077607   | 100                    | M 10        | 3/4"        |
| GRD 3/4" / M12 | 077606   | 100                    | M 12        | 3/4"        |

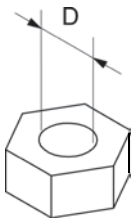


MU

## PROPERTIES

- **Material:** acc. DIN EN 20898-2; min. strength category 04
- **Zinc plating:** Electro zinc plated, min. 5 µm
- **Material A4:** Stainless steel of the corrosion resistance class III, e.g. A4

## TECHNICAL DATA



| Item                      | Art.-NO. | Qty. per box<br>(pcs.) | Thread<br>D | Width across nut<br>SW |
|---------------------------|----------|------------------------|-------------|------------------------|
| MU M 6                    | 079733   | 100                    | M 6         | 10                     |
| MU M 8                    | 079734   | 100                    | M 8         | 13                     |
| MU M 10                   | 079735   | 100                    | M 10        | 17                     |
| MU M 12                   | 024650   | 100                    | M 12        | 19                     |
| MU M 16                   | 55727    | 50                     | M 16        | 24                     |
| <b>Stainless steel A4</b> |          |                        |             |                        |
| MU M 8 A4                 | 77642    | 100                    | M 8         | 13                     |
| MU M 10 A4                | 77641    | 100                    | M 10        | 17                     |

# Hexagonal nut HN

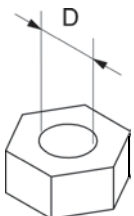


HN

## PROPERTIES

- **Material:** DIN 439
- **Finish:** Electro Galvanized (as per ASTM B633), Hot Dip Galvanized (as per ASTM A153)
- **Material A4:** Stainless steel of the corrosion resistance class III, e.g. A4

## TECHNICAL DATA



| Item   | Art.-NO.<br>GI | Art.-NO.<br>HDG | Art.-NO.<br>SS316 | Thread<br>D<br>(mm) |
|--------|----------------|-----------------|-------------------|---------------------|
| HN M6  | 516801         | 516806          | 516811            | M 6                 |
| HN M8  | 516802         | 516807          | 516812            | M 8                 |
| HN M10 | 516803         | 516808          | 516813            | M 10                |
| HN M12 | 516804         | 516809          | 516814            | M 12                |
| HN M16 | 516805         | 516810          | 516815            | M 16                |
| HN M20 | 516739         | 516741          | 516743            | M 20                |
| HN M24 | 516740         | 516742          | 516744            | M 24                |



U

### PROPERTIES

- **Material:** Steel DD11 (material no.1.0139) acc. to DIN EN 10111
- **Zinc plating:** Electro zinc plated, min. 3 µm
- **Material A4:** Stainless steel of the corrosion resistance class III, e.g. A4

### TECHNICAL DATA

| Item         | Art.-NO. | Qty. per box<br>(pcs.) | Thickness<br>S<br>(mm) | External Ø<br>A<br>(mm) | Hole Ø<br>(mm) |
|--------------|----------|------------------------|------------------------|-------------------------|----------------|
| U 6 x 24     | 020939   | 200                    | 2                      | 24                      | 6.4            |
| U 8 x 17     | 091477   | 100                    | 1.6                    | 17                      | 8.4            |
| U 8 x 28     | 079725   | 100                    | 2                      | 28                      | 8.4            |
| U 8 x 40     | 079729   | 100                    | 3                      | 40                      | 8.4            |
| U 10 x 21    | 091478   | 100                    | 2                      | 21                      | 10.5           |
| U 10 x 28    | 079726   | 100                    | 2                      | 28                      | 10.5           |
| U 10 x 40    | 079730   | 100                    | 3                      | 40                      | 13             |
| U 12 x 24    | 557301   | 100                    | 2.5                    | 24                      | 13             |
| U 12 x 40    | 024649   | 100                    | 3                      | 40                      | 16.5           |
| U 16 x 30    | 557303   | 50                     | 3                      | 30                      | 16.5           |
| U 8 x 28 A4  | 505542   | 100                    | 2                      | 28                      | 8.4            |
| U 8 x 40 A4  | 505543   | 100                    | 3                      | 40                      | 8.4            |
| U 10 x 28 A4 | 505544   | 100                    | 2                      | 30                      | 10.5           |
| U 10 x 40 A4 | 505545   | 100                    | 3                      | 40                      | 10.5           |
| U 12 x 24 A4 | 505546   | 100                    | 2                      | 24                      | 12.5           |

# Washer MW



MW

### PROPERTIES

- **Material:** DIN 125
- **Finish:** Electro Galvanized (as per ASTM B633), Hot Dip Galvanized (as per ASTM A153)
- **Material A4:** Stainless steel of the corrosion resistance class III, e.g. A4

### TECHNICAL DATA

| Item      | Art.-NO.<br>GI | Art.-NO.<br>HDG | Art.-NO.<br>SS316 | Thread<br>D<br>(mm) |
|-----------|----------------|-----------------|-------------------|---------------------|
| MW M6X12  | 516816         | 516832          | 516824            | M 6                 |
| MW M8X16  | 516817         | 516833          | 516825            | M 8                 |
| MW M8X30  | 516818         | 516834          | 516826            | M 8                 |
| MW M8X40  | 516819         | 516835          | 516827            | M 8                 |
| MW M10x20 | 516820         | 516836          | 516828            | M 10                |
| MW M10x30 | 516821         | 516837          | 516829            | M 10                |
| MW M10x40 | 516822         | 516838          | 516830            | M 10                |
| MW M12x24 | 516823         | 516839          | 516831            | M 12                |
| MW M16x30 | 516770         | 516745          | 516748            | M 16                |
| MW M16x40 | 516771         | -               | -                 | M 16                |
| MW M20x37 | 516772         | 516746          | 516749            | M 20                |
| MW M24x44 | 516773         | 516747          | 516760            | M 24                |

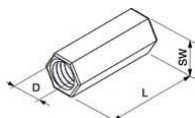


VM

## PROPERTIES

- **Material:** SAE 1008 (material no. 1.0213) acc. to DIN EN 10263-2
- **Zinc plating:** Electro zinc plated, 3-8 µm
- **Material A4:** Stainless steel of the corrosion resistance class III, e.g. A4

## TECHNICAL DATA



| Item       | Art.-NO. | Qty. per box<br>(pcs.) | Length<br>L<br>(mm) | Thread<br>D | Width across nut<br>SW |
|------------|----------|------------------------|---------------------|-------------|------------------------|
| VM M 6     | 014319   | 100                    |                     |             |                        |
| VM M 8     | 079690   | 100                    | 30                  | M 8         | 11                     |
| VM M 10    | 079691   | 100                    |                     |             |                        |
| VM M 12    | 020971   | 100                    | 40                  | M 12        | 17                     |
| VM M 12S*  | 077623   | 100                    |                     |             |                        |
| VM M 16    | 508833   | 50                     | 40                  | M 16        | 24                     |
| VM M 8 A4  | 505540   | 100                    |                     |             |                        |
| VM M 10 A4 | 505541   | 100                    | 30                  | M 10        | 13                     |

# Reduction piece RD

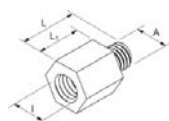


RD

## PROPERTIES

- **Material:** 9SMnPb28k (material no. 1.0718) acc. to DIN EN 10087
- **Zinc plating:** Electro zinc plated, 3 – 8 µm

## TECHNICAL DATA



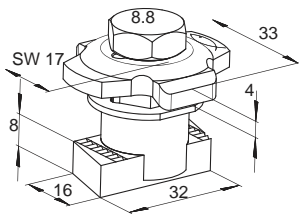
| Item           | Art.-NO. | Qty. per box<br>(pcs.) | Internal thread<br>I | External thread<br>A | Length<br>L1<br>(mm) | Length<br>L<br>(mm) | Width across nut<br>SW |
|----------------|----------|------------------------|----------------------|----------------------|----------------------|---------------------|------------------------|
| RD M 6 / M 8   | 079694   | 100                    | M 6                  | M 8                  | 12                   | 20                  | 9                      |
| RD M 8 / M 6   | 020936   | 100                    | M 8                  | M 6                  | 12                   | 19                  | 11                     |
| RD M 10 / M 8  | 079692   | 50                     | M 10                 | M 8                  | 15                   | 23                  | 13                     |
| RD M 12 / M 10 | 079693   | 100                    | M 12                 | M 10                 | 15                   | 25                  | 17                     |
| RD M 12 / M 16 | 504397   | 50                     | M 12                 | M 16                 | 18                   | 32                  | 19                     |
| RD M 16 / M 12 | 504399   | 50                     | M 16                 | M 12                 | 22                   | 32                  | 24                     |
| RD 1/2" / M 10 | 079695   | 100                    | 1/2"                 | M 10                 | 19                   | 29                  | 24                     |



## PROPERTIES

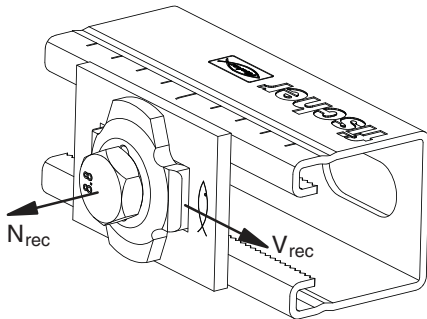
- **Material Cap:** Steel DD 11 (material no. 1.0332) acc. to DIN EN 10111
- **Material Sliding nut:** Steel S420MC, EN 10149-2
- **Material Hexagon nut:** 8.8 M 1028, DIN 933
- **Material Plastic parts:** Polypropylene
- **Zinc plating:** Electro zinc plated acc. to DIN 50979, min. 8 µm

## TECHNICAL DATA



| Item    | Art.-NO. | Thread<br>A | Sales unit<br>(pcs.) |
|---------|----------|-------------|----------------------|
| PFCN 41 | 533739   | M 10        | 50                   |

## LOADS



| Item    | Art.-NO. | Max. recommended tension load for FUS 2.0mm<br>$N_{rec}$<br>(kN) | Max. recommended tension load for FUS 2.5mm<br>$N_{rec}$<br>(kN) | Max. recommended Shear load<br>$V_{rec}$<br>(kN) | Tightening torque for screw grade $\geq 8.8$<br>$T_{inst}$<br>(kN) |
|---------|----------|--|--|--|--|
| PFCN 41 | 533739   | 5.0  | 7.0  | 3.5  | 40   |

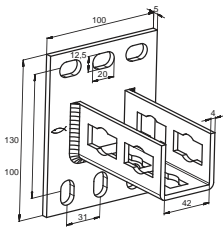
(1) Load values are based on the PFCN 41 push-through connector.



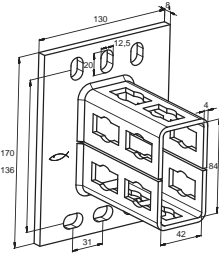
## PROPERTIES

- **Material:** Steel DD 11 (material no. 1.0332) acc. to DIN EN 10111
- **Zinc plating:** Electro zinc plated acc. to DIN 50979, min. 8 µm

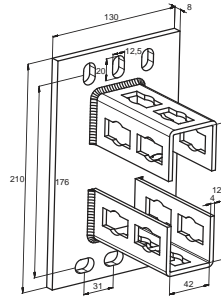
## TECHNICAL DATA



PSF 41



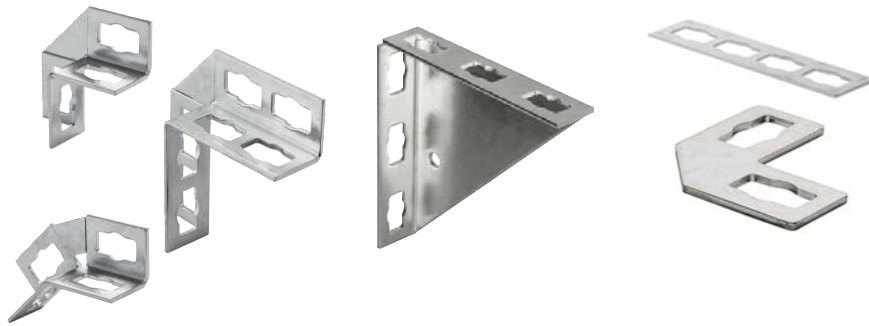
PSF 82



PSF 124

| Item    | Art.-NO. | For profile | Sales unit (pcs.) |
|---------|----------|-------------|-------------------|
| PSF 41  | 533740   | 21D, 41, 62 | 10                |
| PSF 82  | 533741   | 41 D        | 5                 |
| PSF 124 | 533742   | 62 D        | 5                 |

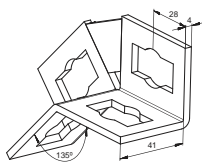
# Push-through bracket



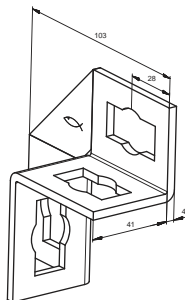
## PROPERTIES

- **Material:** Steel DD 11 (material no. 1.0332) acc. to DIN EN 10111
- **Zinc plating:** Electro zinc plated acc. to DIN 50979, min. 8 µm

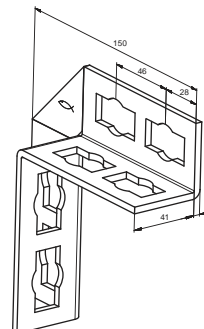
## TECHNICAL DATA



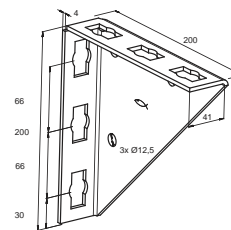
PUWS 2 x 2/135°



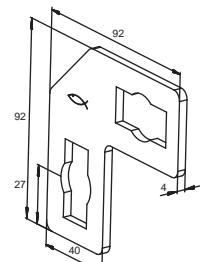
PUWS 2 x 2



PUWS 4 x 4

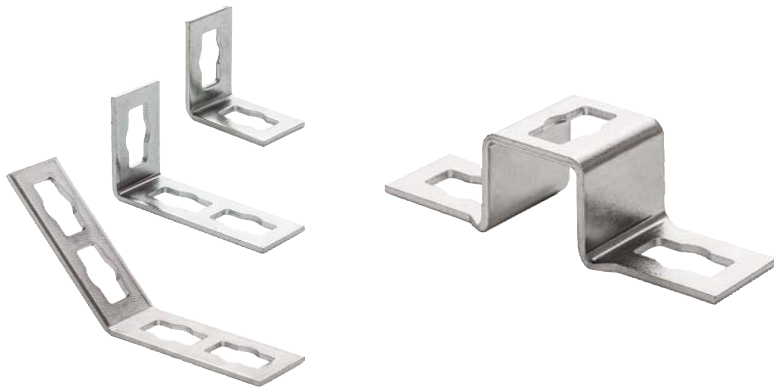


PWK 200/200



PFFF

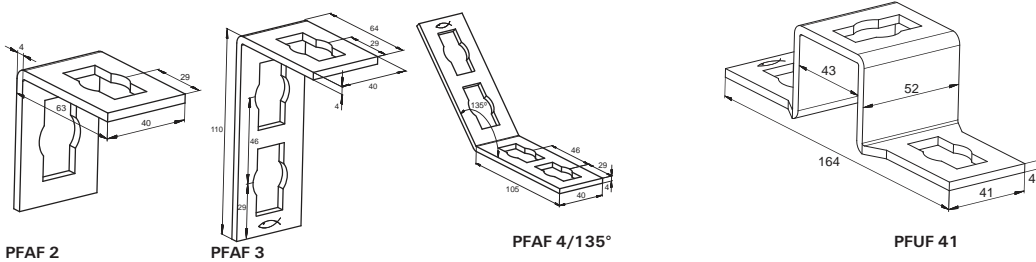
| Item            | Art.-NO. | Sales unit (pcs.) |
|-----------------|----------|-------------------|
| PUWS 2 x 2/135° | 533731   | 10                |
| PUWS 2 x 2      | 533733   | 10                |
| PUWS 4 x 4      | 533734   | 8                 |
| PWK 200/200     | 533744   | 15                |
| PFFF 2L         | 533745   | 20                |
| PFFF 4L         | 535268   | 25                |



### PROPERTIES

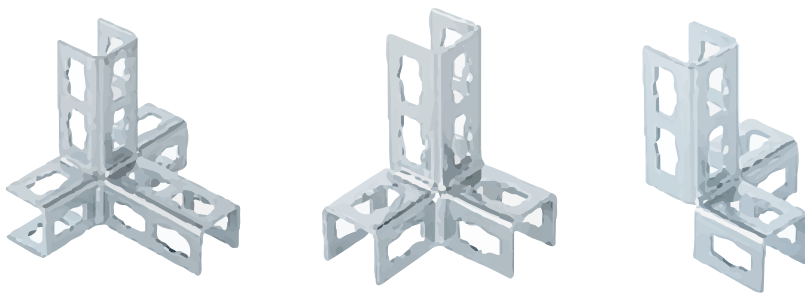
- **Material:** Steel DD 11 (material no. 1.0332) acc. to DIN EN 10111
- **Zinc plating:** Electro zinc-plated acc. to DIN 50979, min. 8 µm

### TECHNICAL DATA



| Item        | Art.-NO. | Sales unit (pcs.) |
|-------------|----------|-------------------|
| PFAF 2      | 533735   | 25                |
| PFAF 3      | 533736   | 25                |
| PFAF 4/135° | 533737   | 20                |
| PFUF 41     | 533738   | 25                |

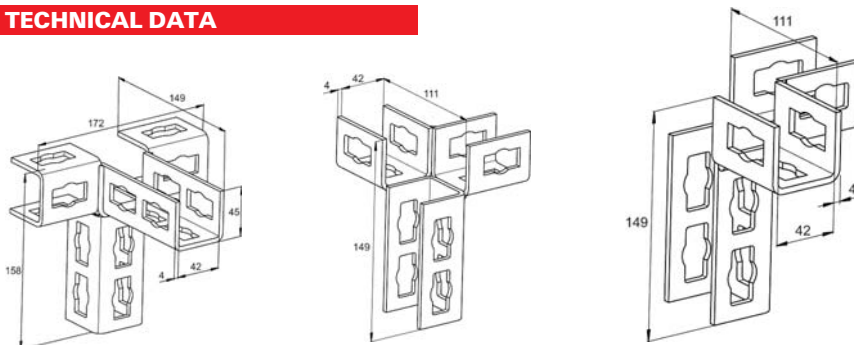
# Push-through brackets PFUF D



### PROPERTIES

- **Material:** Steel DD 11 (material no. 1.0332) acc. to DIN EN 10111
- **Zinc plating:** Electro zinc-plated acc. to DIN 50979, min. 8 µm

### TECHNICAL DATA



| Item      | Art.-NO. | Sales unit (pcs.) |
|-----------|----------|-------------------|
| PFUF 4D   | 535275   | 10                |
| PFUF 3D   | 535274   | 10                |
| RPFUF 3DL | 535273   | 10                |

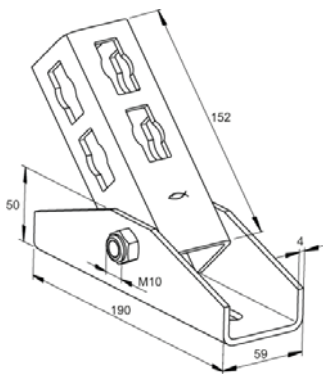




### PROPERTIES

- **Material:** Steel DD 11 (material no. 1.0332) acc. to DIN EN 10111
- **Zinc plating:** Electro zinc-plated acc. to DIN 50979, min. 8 µm

### TECHNICAL DATA



| Item | Art.-NO. | Sales unit (pcs.) |
|------|----------|-------------------|
| PVB  | 534960   | 5                 |

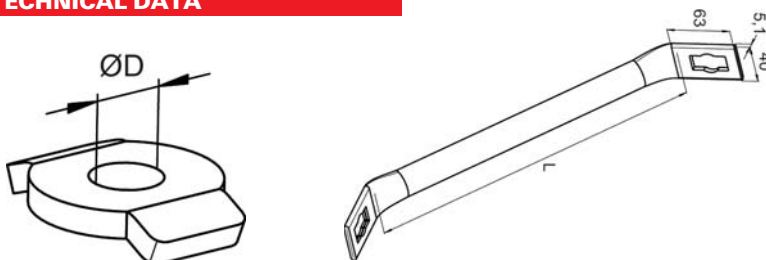
# Push-through bracing elements PSAE



### PROPERTIES

- **Material:** Steel DD 11 (material no. 1.0332) acc. to DIN EN 10111
- **Zinc plating:** Electro zinc-plated acc. to DIN 50979, min. 8 µm

### TECHNICAL DATA



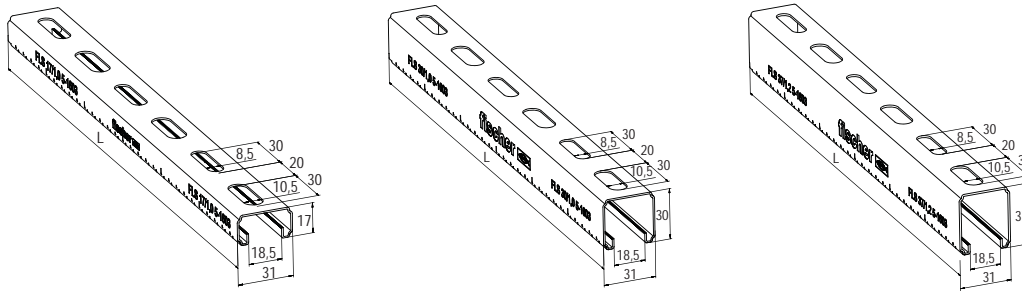
| Item                   | Art.-NO. | Length   (mm) | Sales Unit (pcs.) |
|------------------------|----------|---------------|-------------------|
| PSAE 300 Brace element | 535269   | 300           | 10                |
| PSAE 500 Brace element | 535270   | 500           | 10                |
| PU 10,5 Washer         | 535271   |               | 50                |
| PU 12,5 Washer         | 535272   |               | 50                |



## PROPERTIES

- **Material:** Steel S-250-GD (material no.: 1.0242) acc. to DIN EN 10346
- **Zinc plating:** Sendzimir-galvanised, app. 20 µm

## TECHNICAL DATA



| Item             | Art.-NO. | Fire test report | Thickness S (mm) | Length l (mm) | Sales Unit (pcs.) |
|------------------|----------|------------------|------------------|---------------|-------------------|
| FLS 17/1.0 - 2 m | 538753   |                  | 1.0              | 2000          | 10                |
| FLS 17/1.0 - 3 m | 538754   |                  | 1.0              | 3000          | 8                 |
| FLS 30/1.0 - 2 m | 538755   |                  | 1.0              | 2000          | 10                |
| FLS 30/1.0 - 3 m | 538756   |                  | 1.0              | 3000          | 8                 |
| FLS 37/1.2 - 2 m | 538757   | X                | 1.2              | 2000          | 10                |
| FLS 37/1.2 - 3 m | 538758   | X                | 1.2              | 3000          | 8                 |
| FLS 37/1.2 - 6 m | 538759   | X                | 1.2              | 6000          | 1                 |

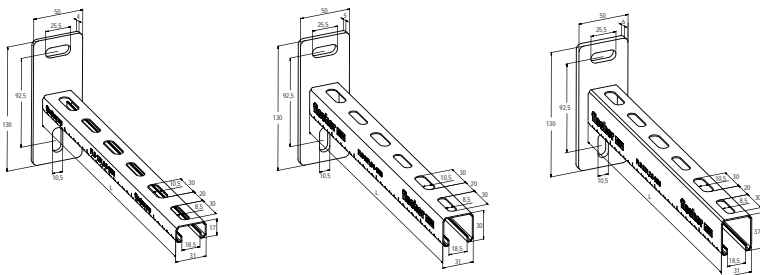
# Cantilever arm ALK



## PROPERTIES

- **Material Base plate:** Steel E295 (material no.: 1.0050) acc. to DIN EN 10025-2
- **Material Channel:** Steel S215 G (material no.: 10116 G) acc. to DIN 1623
- **Zinc plating:** Electro zinc-plated, min. 13 µm

## TECHNICAL DATA



## APPROVALS



| Item       | Art.-NO. | Profile | Length l (mm) | Sales Unit (pcs.) |
|------------|----------|---------|---------------|-------------------|
| ALK 17-200 | 538738   | 17/1.0  | 200           | 10                |
| ALK 17-300 | 538739   | 17/1.0  | 300           | 10                |
| ALK 30-200 | 538740   | 30/1.0  | 200           | 10                |
| ALK 30-300 | 538741   | 30/1.0  | 300           | 10                |
| ALK 30-450 | 538742   | 30/1.0  | 450           | 10                |
| ALK 37-300 | 538743   | 37/1.2  | 300           | 10                |
| ALK 37-450 | 538744   | 37/1.2  | 450           | 10                |
| ALK 37-600 | 538745   | 37/1.2  | 600           | 5                 |

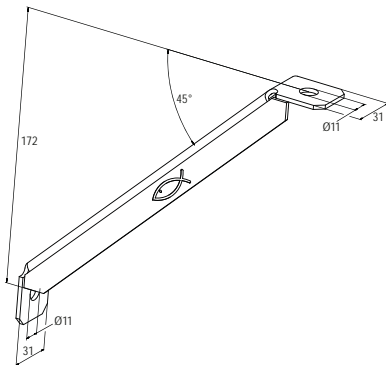


Angle brace

### PROPERTIES

- **Material:** Steel S235 JR (material no.: 1.0037) acc. to DIN EN 10025
- **Zinc plating:** Electro zinc-plated, min. 20 µm acc. DIN EN ISO 4042

### TECHNICAL DATA



| Item      | Art.-NO. | Eye Ø<br>D<br>(mm) | Sales unit<br>(pcs.) |
|-----------|----------|--------------------|----------------------|
| WS 31-45° | 538749   | 11                 | 10                   |

# Channel connector SV 31

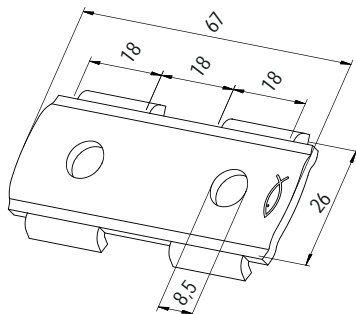


Channel Connection

### PROPERTIES

- **Material:** Steel S235 JR+CR (material no.: 1.0037) acc. to DIN EN 1652
- **Zinc plating:** Electro zinc-plated, min. 5 µm acc. DIN EN ISO 4042

### TECHNICAL DATA



| Item  | Art.-NO. | Hole diameter<br>D<br>(mm) | Sales unit<br>(pcs.) |
|-------|----------|----------------------------|----------------------|
| SV 31 | 538641   | 8.5                        | 25                   |



Channel Connection

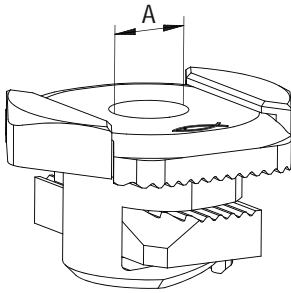
## PROPERTIES

- **Material channel nut:** Steel S420MC (material no.: 1.0980) acc. DIN EN 10149-2
- **Material plastic cage:** Polypropylene PP, item number 11400, Color black
- **Zinc plating:** Electro zinc-plated, min. 13 µm acc. DIN EN ISO 4042

## APPROVALS



## TECHNICAL DATA



| Item          | Art.-NO. | Thread<br>A | Sales unit<br>(pcs.) |
|---------------|----------|-------------|----------------------|
| FSM Clix P 6  | 538643   | M 6         | 50                   |
| FSM Clix P 8  | 538647   | M 8         | 50                   |
| FSM Clix P 10 | 538649   | M 10        | 50                   |

# Channel washer HK 31



Pipe support

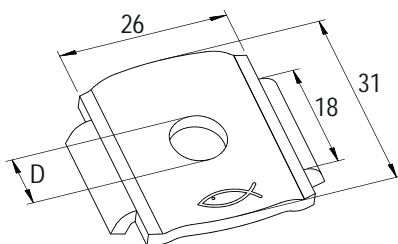
## PROPERTIES

- **Material:** Steel S235 JR+CR (material no.: 1.0037) acc. to DIN EN 1652
- **Zinc plating:** Electro zinc-plated, min. 5 µm acc. DIN EN ISO 4042

## APPROVALS



## TECHNICAL DATA



| Item       | Art.-NO. | Hole diameter<br>D<br>(mm) | Sales unit<br>(pcs.) |
|------------|----------|----------------------------|----------------------|
| HK 31 8.5  | 538663   | 8.5                        | 50                   |
| HK 31 10.5 | 538664   | 10.5                       | 50                   |

## ■ FTC-ZS



### DESCRIPTION

- All iron and steel surfaces
- Blank laminations

### TECHNICAL DATA

| Item     | Art.-NO. | Qty. per box (pcs.) | Contents (ml) |
|----------|----------|---------------------|---------------|
| FTC - ZS | 509242   | 12                  | 400           |

## ■ FTC-ZA



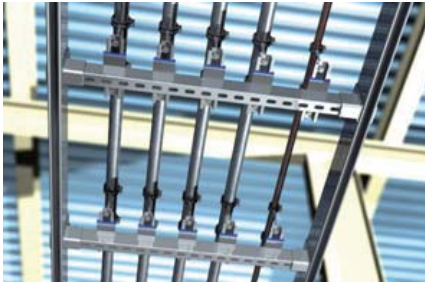
### DESCRIPTION

- All iron and steel surfaces
- Hot-dip galvanised surfaces following drilling, iron work or welding
- Non-ferrous heavy metal

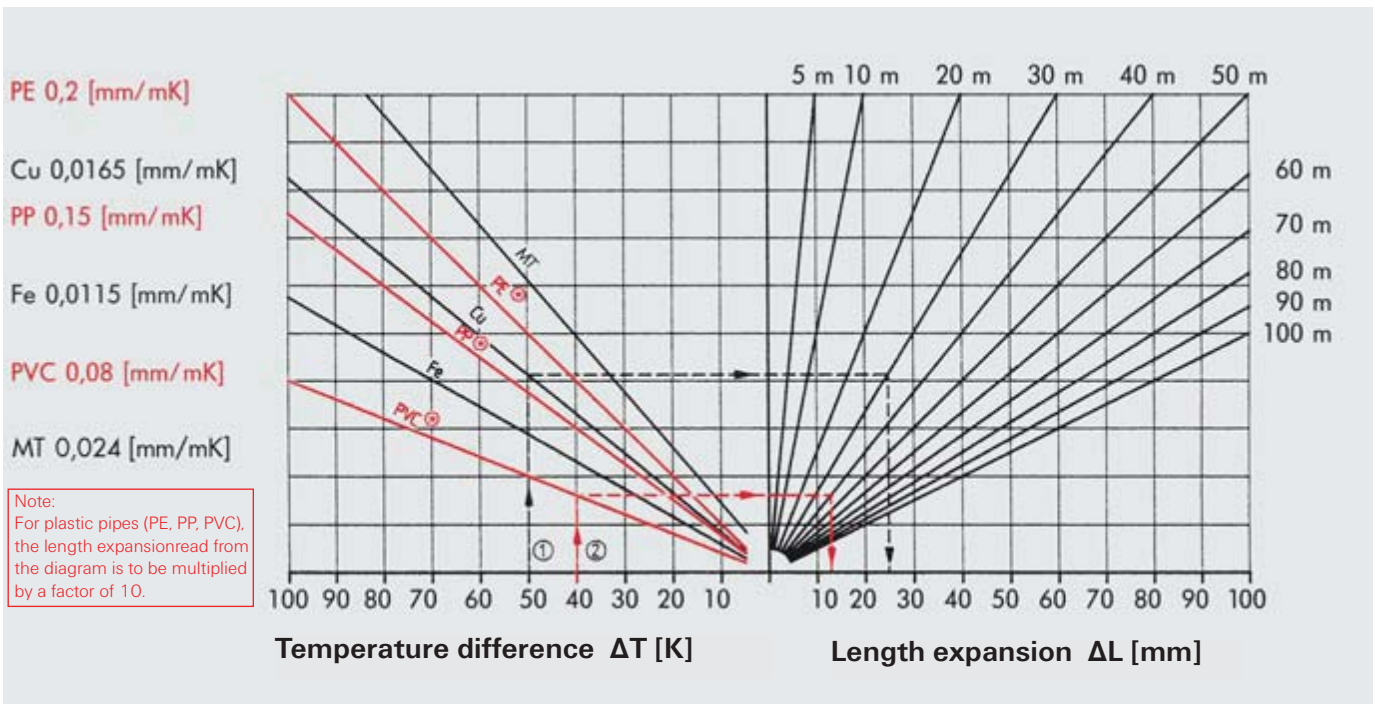
### TECHNICAL DATA

| Item     | Art.-NO. | Qty. per box (pcs.) | Contents (ml) |
|----------|----------|---------------------|---------------|
| FTC - ZA | 509241   | 12                  | 400           |

## Elongation (Thermal Expansion)



Materials expand with heat. For long components, the change in length is mainly considered. So it is not always a matter of expansion. Shrinkage upon cooling is also to be included in the calculation. This is important when installing pipes. Within piping, the change in length is to be specifically steered. Not doing this during installation results not only in pipe defects, but also in serious damage to components. It is therefore essential to determine how great the change in the length of a pipe can be. For this purpose, the pipe length and the expansion coefficient of the pipe material, as well as the expected temperature difference, must be known. This is to be determined such that not only the normal operating temperatures, but also the maximum temperatures that can arise in a case of malfunction, are taken into account. The range is therefore from around 10°C assembly temperature up to 95°C service temperature for water filled systems.



**Length expansion calculation formula**  
 $\Delta L = L \cdot \Delta T \cdot \alpha$   
 [mm] [m] [K] [mm/m K]

$\Delta L$  = Change in length  
 L = Length of the pipe span/section  
 $\Delta T$  = Temperature difference  
 $\alpha$  = Length expansion coefficient

**Example:**

- Copper pipe, Cu - Length of pipe span 30 m  
 Temperature difference  $\Delta T = 50$  K  
 Length expansion  $\Delta L = 24,75$  mm
- PVC pipe – Length of pipe span L = 40 m  
 Temperature difference  $\Delta T = 40$  K  
 Length expansion  $\Delta L = 128$  mm (table value x10)

## Corrosion protection



In most cases, pipes and supply lines are installed in dry rooms. Therefore, in addition to corrosion resistant materials, such as plastics or stainless steel and copper, the steel products used for installation systems are galvanised. A zinc coating thickness of 5-8 µm by means of electrolytic process (galvanising) is standard.

For mounting rails, Sendzimir galvanised material is mainly used. Sendzimir galvanising is a method in which the material is drawn through a molten zinc bath, thereby achieving a zinc layer thickness of 12-20 µm. This method is used when there is no more welding for the subsequent processing. This is the case for mounting rails because they are cold-formed after galvanising. By cutting and stamping the holes, the surface in this area is not completely covered by a protective layer. Punched mounting rails are therefore only recommended for the dry interior rooms.

For cantilever brackets, non-galvanised channel pieces are used which are welded to the base plate. Following completion, the entire component is galvanised, creating a zinc coating thickness of 5-8 µm.

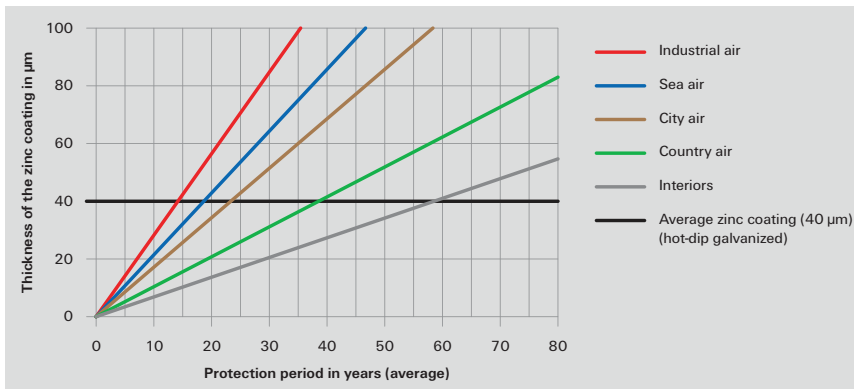
Threaded parts are either galvanised or made of stainless steel. Hot dip galvanising is less suitable for this because the large zinc layer thickness of 40-150 µm severely impairs the thread engagement.

If installation systems are installed outdoors or in wet interior rooms, they must be made of either hot dip galvanised steel or stainless steel.

Hot dip galvanising is very well suited to the protection of steel. The corrosion process is thus 10 times slower than with galvanising. The zinc loss depends on the surrounding atmosphere and humidity. An annual zinc reduction of 1 - 10 µm can, however, be assumed. The layer thickness is therefore crucial to the durability of the material.

Crucial here are the environmental influences under which the systems are installed. An overview of the expected impact on the protective action can be seen in the following diagram and tables.

### hot-dip galvanized steel:



### Stainless steel

| Steel Grade  |                     |        |         | Designation of the Steel Group with | Corrosion        |   |
|--------------|---------------------|--------|---------|-------------------------------------|------------------|---|
| Material No. | Short Name          | AISI   | UNS     |                                     | Resistance Class | Exposure and Typical Applications   |
| 1.4305       | X8CrNiS18-9         | 303    | S 30300 | A1                                  | I / light        | Indoor climate except damp location.  |
| 1.4301       | X5CrNi18-10         | 304    | S 30400 | A2                                  |                  |   |
| 1.4307       | X2CrNi 18-9         | 304L   | S 30403 | A2L                                 | II / moderate    | Accessible constructions without nameable content of chlorides or sulfur dioxide, except industrial atmosphere.                         |
| 1.4362       | X2CrNiN23-4         | 324    | S32304  | A4                                  |                  |   |
| 1.4401       | X5Cr-NiMo17-12-2    | 316    | S 31600 | A4L                                 | III / medium     | Constructions with moderate chloride and sulfur dioxide exposure and inaccessible constructions.  |
| 1.4404       | X2Cr-NiMo17-12-2    | 316 L  | S 31603 |                                     |                  |   |
| 1.4571       | X6CrNi-MoTi17-12-2  | 316 Ti | S 31635 |                                     |                  |   |
| 1.4529       | X1NiCrMo-CuN25-20-7 | -      | N 08926 | 1.4529                              | IV / strong      | High corrosion exposure due to chlorine, chloride and/or sulfur dioxide, high humidity as well as accumulation of hazardous substances. |

## Fire protection



### Fire protection in pipe installations according to the latest standards.

- Fire-proof installations for individual pipes and pipe routes from R30 - R120 or F30 to F120.
- Proof of compliance with the criteria of MLAR (German standard pipe system directive) for installation in escape and rescue routes

### Fire protection - protection goals

Firstly, fire protection serves to protect people and is regulated by the building laws in the respective countries (or regional states). Secondly, fire protection serves to protect property and this is regulated by the insurance associations, such as VdS and FM. These requirements partially go beyond the building legislation. This is particularly evident in the installation of fire protection systems, such as sprinklers, etc., as approved or recognised components must be used here. (See the following section for further details on this)

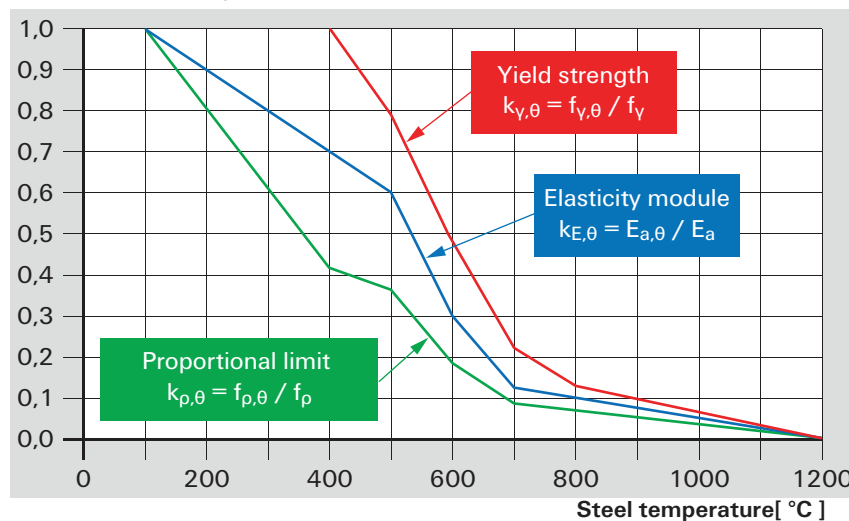
### Fire inspection reports for the mounting of pipe clamps and mounting rails

Fire safety inspection reports meet the requirements for fire protection according to the building regulations of the countries and especially for Germany, according to the nationwide homonymic of German pipe systems directive (LAR), based on the standard pipe systems directive of 2005 (MLAR 2005).

Personal protection is defined in the MLAR Directive through clear rules for escape routes, such as corridors, stairwells and hallways between stairwells and the exit.

The key message is to ensure the safety of the escape route by ensuring the functioning of the fire-proof sub-ceiling. To this end, compliance with the minimum distance of  $\min a \leq 50\text{mm}$  according to MLAR is required between installations and underlying suspended fire-proof F30 sub-ceilings (fire resistance of 30 minutes). Based on the fire inspections, load information for a fire resistance of 30 minutes in relation to the maximum permissible deformation of mounting rails or pipe clamps, for example. The necessity for these considerations arises from the properties of the steel, which at 30 minutes is subjected to a temperature of  $>800^\circ\text{C}$  according to the standard temperature curve (ISO curve).

### Reduction factors $k_\theta$



Dependency of the yield strength, proportional limit and elasticity module on the temperature (basis: EN1993-1-2:2012-12 Eurocode 3).

Additionally, the same information is documented in the inspection reports for a fire resistance rating of R30, R60, R90 and R120 according to EN1363-1 and DIN4102-2. (see following load tables)

### Product overview with proof in inspection reports and supplementary sheets.

| Product   | Document no.                   | MLAR | R30 - R120 | F30 - F120 |
|-----------|--------------------------------|------|------------|------------|
| FRS       | MPA Braunschweig - 3649/384/12 | •    | •          |            |
| FUS / FCA | MPA Braunschweig - 3147/252/12 | •    | •          |            |
| FRS-F     | MPA-NRW - 210005109-1          | •    |            | •          |
| SB        | MPA-NRW - 210005109-7          |      |            | •          |
| SBS       | MPA-NRW - 210005109-4          | •    |            | •          |
| PDH-K     | MPA-NRW - 210005109-6          | •    |            | •          |



## Dimensions and weights of pipes, ventilation ducts and ventilation pipes (Schedule 40 G.I)

| S.no. | Nom. Pipe Size | Out Diameter | Inner Diameter | Out Diameter | Inner Diameter | Weight of pipe | Weight of water in pipe | Total pipe weight filled with |
|-------|----------------|--------------|----------------|--------------|----------------|----------------|-------------------------|-------------------------------|
|       |                | in           | in             | mm           | mm             | kg/M'          | kg/M'                   | kg/M'                         |
| 1.    | 1/8"           | 0.405        | 0.269          | 10.3         | 6.8            | 0.4            | 0.04                    | 0.4                           |
| 2.    | 1/4"           | 0.540        | 0.364          | 13.7         | 9.2            | 0.6            | 0.1                     | 0.7                           |
| 3.    | 3/8"           | 0.675        | 0.493          | 17.1         | 12.5           | 0.8            | 0.1                     | 1.0                           |
| 4.    | 1/2"           | 0.840        | 0.622          | 21.3         | 15.8           | 1.3            | 0.2                     | 1.5                           |
| 5.    | 3/4"           | 1.050        | 0.824          | 26.7         | 20.9           | 1.7            | 0.3                     | 2.0                           |
| 6.    | 1"             | 1.315        | 1.049          | 33.4         | 26.6           | 2.5            | 0.6                     | 3.1                           |
| 7.    | 1 1/4"         | 1.660        | 1.380          | 42.2         | 35.1           | 3.4            | 1.0                     | 4.3                           |
| 8.    | 1 1/2"         | 1.900        | 1.610          | 48.3         | 40.9           | 4.0            | 1.3                     | 5.4                           |
| 9.    | 2"             | 2.375        | 2.067          | 60.3         | 52.5           | 5.4            | 2.2                     | 7.6                           |
| 10.   | 2 1/2"         | 2.875        | 2.469          | 73.0         | 62.7           | 8.6            | 3.1                     | 11.7                          |
| 11.   | 3"             | 3.500        | 3.068          | 88.9         | 77.9           | 11.3           | 4.8                     | 16.0                          |
| 12.   | 3 1/2"         | 4.000        | 3.548          | 101.6        | 90.1           | 13.6           | 6.4                     | 19.9                          |
| 13.   | 4"             | 4.500        | 4.026          | 114.3        | 102.3          | 16.1           | 8.2                     | 24.3                          |
| 14.   | 5"             | 5.563        | 5.047          | 141.3        | 128.2          | 21.8           | 12.9                    | 34.6                          |
| 15.   | 6"             | 6.625        | 6.065          | 168.3        | 154.1          | 28.2           | 18.6                    | 46.8                          |
| 16.   | 8"             | 8.625        | 7.981          | 219.1        | 202.7          | 42.5           | 32.1                    | 74.6                          |
| 17.   | 10"            | 10.750       | 10.020         | 273.1        | 254.5          | 60.2           | 50.7                    | 111.0                         |
| 18.   | 12"            | 12.750       | 11.938         | 323.9        | 303.2          | 79.7           | 72.2                    | 151.8                         |
| 19.   | 14"            | 14.000       | 13.000         | 355.6        | 330.2          | 94.3           | 87.0                    | 181.3                         |
| 20.   | 16"            | 16.000       | 15.000         | 406.4        | 381.0          | 123.2          | 113.8                   | 237.0                         |
| 21.   | 18"            | 18.000       | 16.874         | 457.2        | 428.6          | 155.9          | 144.6                   | 300.5                         |
| 22.   | 20"            | 20.000       | 18.814         | 508.0        | 477.9          | 182.9          | 179.2                   | 362.0                         |
| 23.   | 24"            | 24.000       | 22.626         | 609.6        | 574.7          | 254.7          | 259.2                   | 513.9                         |

### Weights of galvanized ventilation ducts in kg/m without insulation

| Sheet metal 0.75 |     |     | Sheet metal 0.88 |      |      |      |      |      | Sheet metal 1.0 |      |      |      |      |      | Sheet metal 1.13 |      |      |      |      |      | Sheet metal 1.25 |       |       |       |      | ◀ B ▶ H |
|------------------|-----|-----|------------------|------|------|------|------|------|-----------------|------|------|------|------|------|------------------|------|------|------|------|------|------------------|-------|-------|-------|------|---------|
| 200              | 224 | 250 | 280              | 315  | 355  | 400  | 450  | 500  | 560             | 630  | 710  | 800  | 900  | 1000 | 1120             | 1250 | 1400 | 1600 | 1800 | 2000 | 2240             | 2500  | 2800  | 3150  |      |         |
| 6.6              | 7.0 | 7.4 | 9.3              | 10.0 | 10.7 | 11.6 | 12.6 | 13.6 | 16.7            | 18.3 | 20.0 | 22.0 | 24.2 | 26.4 | 32.8             | 36.0 | 39.8 | 44.7 | 49.7 | 54.7 | 70.2             | 77.6  | 86.3  | 96.3  | 200  |         |
|                  | 7.4 | 7.8 | 9.8              | 10.4 | 11.2 | 12.1 | 13.0 | 14.0 | 17.2            | 18.8 | 20.5 | 22.5 | 24.7 | 26.9 | 33.4             | 36.6 | 40.4 | 45.3 | 50.3 | 55.3 | 70.8             | 78.3  | 86.9  | 97.0  | 224  |         |
|                  |     | 8.3 | 10.3             | 10.9 | 11.7 | 12.6 | 13.6 | 14.5 | 17.8            | 19.4 | 21.1 | 23.1 | 25.3 | 27.5 | 34.1             | 37.3 | 41.0 | 46.0 | 51.0 | 55.9 | 71.6             | 79.1  | 87.7  | 97.8  | 250  |         |
|                  |     |     | 10.8             | 11.5 | 12.3 | 13.2 | 14.1 | 15.1 | 18.5            | 20.0 | 21.8 | 23.8 | 26.0 | 28.2 | 34.8             | 38.0 | 41.8 | 46.7 | 51.7 | 56.7 | 72.5             | 79.9  | 88.6  | 98.6  | 280  |         |
|                  |     |     |                  | 12.2 | 13.0 | 13.8 | 14.8 | 15.8 | 19.3            | 20.8 | 22.6 | 24.5 | 26.7 | 28.9 | 35.7             | 38.9 | 42.6 | 47.6 | 52.6 | 57.6 | 73.5             | 80.9  | 89.6  | 99.6  | 315  |         |
|                  |     |     |                  |      | 13.7 | 14.6 | 15.6 | 16.6 | 20.1            | 21.7 | 23.4 | 25.4 | 27.6 | 29.8 | 36.7             | 39.9 | 43.6 | 48.6 | 53.6 | 58.5 | 74.6             | 82.1  | 90.7  | 100.8 | 355  |         |
|                  |     |     |                  |      |      | 15.5 | 16.5 | 17.4 | 21.1            | 22.7 | 24.4 | 26.4 | 28.6 | 30.8 | 37.8             | 41.0 | 44.7 | 49.7 | 54.7 | 59.7 | 75.9             | 83.4  | 92.0  | 102.1 | 400  |         |
|                  |     |     |                  |      |      |      | 17.4 | 18.4 | 22.2            | 23.8 | 25.5 | 27.5 | 29.7 | 31.9 | 39.0             | 42.3 | 46.0 | 51.0 | 55.9 | 60.9 | 77.3             | 84.8  | 93.4  | 103.5 | 450  |         |
|                  |     |     |                  |      |      |      |      | 19.4 | 23.3            | 24.9 | 26.6 | 28.6 | 30.8 | 33.0 | 40.3             | 43.5 | 47.2 | 52.2 | 57.2 | 62.2 | 78.8             | 86.3  | 94.9  | 104.9 | 500  |         |
|                  |     |     |                  |      |      |      |      |      | 24.6            | 26.2 | 27.9 | 29.9 | 32.1 | 34.3 | 41.8             | 45.0 | 48.7 | 53.7 | 58.7 | 63.6 | 80.5             | 88.0  | 96.6  | 106.7 | 560  |         |
|                  |     |     |                  |      |      |      |      |      |                 | 27.6 | 29.5 | 31.5 | 33.7 | 35.9 | 43.5             | 46.7 | 50.5 | 55.4 | 60.4 | 65.4 | 82.5             | 90.0  | 98.6  | 108.7 | 630  |         |
|                  |     |     |                  |      |      |      |      |      |                 |      | 31.2 | 33.2 | 35.4 | 37.6 | 45.5             | 48.7 | 52.5 | 57.4 | 62.4 | 67.4 | 84.4             | 92.3  | 100.9 | 111.0 | 710  |         |
|                  |     |     |                  |      |      |      |      |      |                 |      |      | 35.2 | 37.4 | 39.6 | 47.7             | 51.0 | 54.7 | 59.7 | 64.6 | 69.6 | 87.4             | 94.9  | 103.5 | 113.6 | 800  |         |
|                  |     |     |                  |      |      |      |      |      |                 |      |      |      | 39.6 | 41.8 | 50.2             | 53.4 | 57.2 | 62.2 | 67.1 | 72.1 | 90.3             | 97.8  | 106.4 | 116.4 | 900  |         |
|                  |     |     |                  |      |      |      |      |      |                 |      |      |      |      | 44.0 | 52.7             | 55.9 | 59.7 | 64.6 | 69.6 | 74.6 | 93.2             | 100.6 | 109.3 | 119.3 | 1000 |         |
|                  |     |     |                  |      |      |      |      |      |                 |      |      |      |      |      |                  | 55.7 | 58.9 | 62.6 | 67.6 | 72.6 | 91.6             | 99.0  | 107.6 | 117.6 | 1120 |         |
|                  |     |     |                  |      |      |      |      |      |                 |      |      |      |      |      |                  |      | 62.2 | 65.9 | 70.9 | 75.8 | 95.8             | 103.2 | 111.8 | 121.8 | 1250 |         |
|                  |     |     |                  |      |      |      |      |      |                 |      |      |      |      |      |                  |      |      | 69.6 | 74.6 | 79.6 | 99.6             | 107.0 | 115.6 | 125.6 | 1400 |         |
|                  |     |     |                  |      |      |      |      |      |                 |      |      |      |      |      |                  |      |      |      | 79.6 | 84.5 | 104.5            | 111.9 | 120.5 | 130.5 | 1600 |         |
|                  |     |     |                  |      |      |      |      |      |                 |      |      |      |      |      |                  |      |      |      |      | 89.5 | 94.5             | 114.5 | 122.1 | 131.7 | 1800 |         |
|                  |     |     |                  |      |      |      |      |      |                 |      |      |      |      |      |                  |      |      |      |      |      | 99.4             | 104.4 | 124.4 | 132.0 | 2000 |         |
|                  |     |     |                  |      |      |      |      |      |                 |      |      |      |      |      |                  |      |      |      |      |      | 128.8            | 133.8 | 153.8 | 161.4 | 2240 |         |
|                  |     |     |                  |      |      |      |      |      |                 |      |      |      |      |      |                  |      |      |      |      |      |                  | 143.8 | 148.8 | 168.8 | 2500 |         |
|                  |     |     |                  |      |      |      |      |      |                 |      |      |      |      |      |                  |      |      |      |      |      |                  |       | 161.0 | 171.1 | 2800 |         |
|                  |     |     |                  |      |      |      |      |      |                 |      |      |      |      |      |                  |      |      |      |      |      |                  |       |       | 181.5 | 3150 |         |

The weights in kg/m are reference values. The weights can deviate, depending on the sheet metal thickness and the type of flange used. The flange weight is included flat-rate. The loads based on a mineral wool weight of 80 kg/m<sup>2</sup> and a thickness of 5 cm.

## Weights of galvanized ventilation ducts in kg/m with (80 kg/m<sup>3</sup>, 5 cm thickness)

| Sheet metal 0.75 |      |      | Sheet metal 0.88 |      |      |      |      |      |      | Sheet metal 1.00 |      |      |      |      |      |      | Sheet metal 1.13 |      |      |      |      |       |       | Sheet metal 1.25 |       |       |       |      | ◀ B | ▶ H |
|------------------|------|------|------------------|------|------|------|------|------|------|------------------|------|------|------|------|------|------|------------------|------|------|------|------|-------|-------|------------------|-------|-------|-------|------|-----|-----|
| 200              | 224  | 250  | 280              | 315  | 355  | 400  | 450  | 500  | 560  | 630              | 710  | 800  | 900  | 1000 | 1120 | 1250 | 1400             | 1600 | 1800 | 2000 | 2240 | 2500  | 2800  | 3150             | ◀ B   | ▶ H   |       |      |     |     |
| 9.1              | 9.6  | 10.2 | 12.1             | 13.0 | 14.0 | 15.2 | 16.4 | 17.7 | 21.0 | 22.9             | 25.1 | 27.6 | 30.4 | 33.2 | 39.8 | 43.8 | 48.3             | 54.3 | 60.4 | 66.4 | 79.4 | 87.8  | 97.6  | 109.0            | 200   |       |       |      |     |     |
|                  | 10.2 | 10.8 | 13.8             | 13.6 | 14.6 | 15.8 | 17.0 | 18.3 | 21.7 | 23.6             | 25.8 | 28.3 | 31.1 | 33.8 | 40.6 | 44.5 | 49.0             | 55.0 | 61.1 | 67.1 | 80.2 | 88.6  | 98.4  | 109.8            | 224   |       |       |      |     |     |
|                  |      | 11.4 | 14.5             | 14.3 | 15.3 | 16.4 | 17.7 | 19.0 | 22.4 | 24.3             | 26.5 | 29.0 | 31.8 | 34.5 | 41.3 | 45.3 | 49.8             | 55.8 | 61.9 | 67.9 | 81.0 | 89.5  | 99.2  | 110.6            | 250   |       |       |      |     |     |
|                  |      |      | 15.3             | 15.0 | 16.0 | 17.2 | 18.4 | 19.7 | 23.2 | 25.1             | 27.3 | 29.8 | 32.6 | 35.4 | 42.2 | 46.2 | 50.7             | 56.7 | 62.8 | 68.8 | 82.0 | 90.4  | 100.2 | 111.6            | 280   |       |       |      |     |     |
|                  |      |      |                  | 15.9 | 16.9 | 18.1 | 19.3 | 20.6 | 24.2 | 26.1             | 28.3 | 30.8 | 33.6 | 36.3 | 43.3 | 47.2 | 51.8             | 57.8 | 63.8 | 69.9 | 83.1 | 91.6  | 101.3 | 112.7            | 315   |       |       |      |     |     |
|                  |      |      |                  |      | 17.9 | 19.1 | 20.3 | 21.6 | 25.3 | 27.2             | 29.4 | 31.9 | 34.7 | 37.4 | 44.5 | 48.4 | 53.0             | 59.0 | 65.0 | 71.1 | 84.4 | 92.9  | 102.6 | 114.0            | 355   |       |       |      |     |     |
|                  |      |      |                  |      |      | 20.2 | 21.5 | 22.7 | 26.5 | 28.5             | 30.7 | 33.2 | 35.9 | 38.7 | 45.9 | 49.8 | 54.3             | 60.4 | 66.4 | 72.4 | 85.9 | 94.3  | 104.1 | 115.5            | 400   |       |       |      |     |     |
|                  |      |      |                  |      |      |      |      |      | 22.7 | 24.0             | 27.9 | 29.8 | 32.0 | 34.5 | 37.3 | 40.1 | 47.4             | 51.3 | 55.8 | 61.9 | 67.9 | 73.9  | 87.5  | 96.0             | 105.7 | 450   |       |      |     |     |
|                  |      |      |                  |      |      |      |      |      |      | 25.3             | 29.3 | 31.2 | 33.4 | 35.9 | 38.7 | 41.4 | 48.9             | 52.8 | 57.3 | 63.4 | 69.4 | 75.4  | 89.1  | 97.6             | 107.4 | 500   |       |      |     |     |
|                  |      |      |                  |      |      |      |      |      |      |                  | 30.9 | 32.9 | 35.1 | 37.6 | 40.3 | 43.1 | 50.7             | 54.6 | 59.1 | 65.2 | 71.2 | 77.3  | 91.1  | 99.5             | 109.3 | 560   |       |      |     |     |
|                  |      |      |                  |      |      |      |      |      |      |                  |      | 34.8 | 37.0 | 39.5 | 42.3 | 45.0 | 52.8             | 56.7 | 61.3 | 67.3 | 73.3 | 79.4  | 93.4  | 101.8            | 111.6 | 630   |       |      |     |     |
|                  |      |      |                  |      |      |      |      |      |      |                  |      |      | 39.2 | 41.7 | 44.5 | 47.2 | 55.2             | 59.1 | 63.7 | 69.7 | 75.7 | 81.8  | 96.0  | 104.4            | 114.2 | 710   |       |      |     |     |
|                  |      |      |                  |      |      |      |      |      |      |                  |      |      |      | 44.2 | 47.0 | 49.7 | 57.9             | 61.9 | 66.4 | 72.4 | 78.5 | 84.5  | 98.9  | 107.4            | 117.1 | 800   |       |      |     |     |
|                  |      |      |                  |      |      |      |      |      |      |                  |      |      |      |      | 49.7 | 52.5 | 61.0             | 64.9 | 69.4 | 75.4 | 81.5 | 87.5  | 102.1 | 110.6            | 120.4 | 900   |       |      |     |     |
|                  |      |      |                  |      |      |      |      |      |      |                  |      |      |      |      |      |      | 55.3             | 64.0 | 67.9 | 72.4 | 78.5 | 84.5  | 90.5  | 105.4            | 113.9 | 123.6 | 1000  |      |     |     |
|                  |      |      |                  |      |      |      |      |      |      |                  |      |      |      |      |      |      |                  | 67.6 | 71.5 | 76.0 | 82.1 | 88.1  | 94.1  | 109.3            | 117.8 | 127.5 | 138.9 | 1120 |     |     |
|                  |      |      |                  |      |      |      |      |      |      |                  |      |      |      |      |      |      |                  |      | 75.4 | 80.0 | 86.0 | 92.0  | 98.1  | 113.5            | 122.0 | 131.8 | 143.1 | 1250 |     |     |
|                  |      |      |                  |      |      |      |      |      |      |                  |      |      |      |      |      |      |                  |      |      | 84.5 | 90.5 | 96.6  | 102.6 | 118.4            | 126.9 | 136.6 | 148.0 | 1400 |     |     |
|                  |      |      |                  |      |      |      |      |      |      |                  |      |      |      |      |      |      |                  |      |      |      | 96.6 | 102.6 | 108.6 | 124.9            | 133.4 | 143.1 | 154.5 | 1600 |     |     |
|                  |      |      |                  |      |      |      |      |      |      |                  |      |      |      |      |      |      |                  |      |      |      |      | 108.6 | 114.7 | 131.4            | 139.9 | 149.6 | 161.0 | 1800 |     |     |
|                  |      |      |                  |      |      |      |      |      |      |                  |      |      |      |      |      |      |                  |      |      |      |      |       | 120.7 | 137.9            | 146.4 | 156.2 | 167.5 | 2000 |     |     |
|                  |      |      |                  |      |      |      |      |      |      |                  |      |      |      |      |      |      |                  |      |      |      |      |       |       | 145.7            | 154.2 | 164.0 | 175.3 | 2240 |     |     |
|                  |      |      |                  |      |      |      |      |      |      |                  |      |      |      |      |      |      |                  |      |      |      |      |       |       |                  | 162.7 | 172.4 | 183.8 | 2500 |     |     |
|                  |      |      |                  |      |      |      |      |      |      |                  |      |      |      |      |      |      |                  |      |      |      |      |       |       |                  |       | 182.2 | 193.6 | 2800 |     |     |
|                  |      |      |                  |      |      |      |      |      |      |                  |      |      |      |      |      |      |                  |      |      |      |      |       |       |                  |       |       | 204.9 | 3150 |     |     |

## Important dimensions, variables and units

### Material

#### S 250 GD

|          | Material No. | Tensile strength<br>Rm N/mm <sup>2</sup> min. | Yield strength<br>ReH N/mm <sup>2</sup> min. | Elongation at break A80% min. |
|----------|--------------|---|--|-------------------------------|
| S 250 GD | 1.0242       | ≥ 330   | ≥ 250  | ≥ 19                          |

#### DX 51 D

|         |        |           |     |      |
|---------|--------|-----------|-----|------|
| DX 51 D | 1.0226 | 270 - 500 | - * | ≥ 22 |
|---------|--------|-----------|-----|------|

\*For fischer profiles defined 240 N/mm<sup>2</sup>

#### DC 01

|       |        |           |       |      |
|-------|--------|-----------|-------|------|
| DC 01 | 1.0330 | 270 - 410 | ≤ 280 | ≥ 28 |
|-------|--------|-----------|-------|------|

#### S 235 JR

|          |        |           |       |       |
|----------|--------|-----------|-------|-------|
| S 235 JR | 1.0037 | 360 - 510 | ≥ 235 | 19/17 |
|----------|--------|-----------|-------|-------|

#### DD 11

|       |        |     |           | LO = 80mm |    | LO = 5,65√SO |
|-------|--------|-----|-----------|-----------|----|--------------|
| DD 11 | 1.0332 | 440 | 170 - 360 | 23        | 24 | 28           |

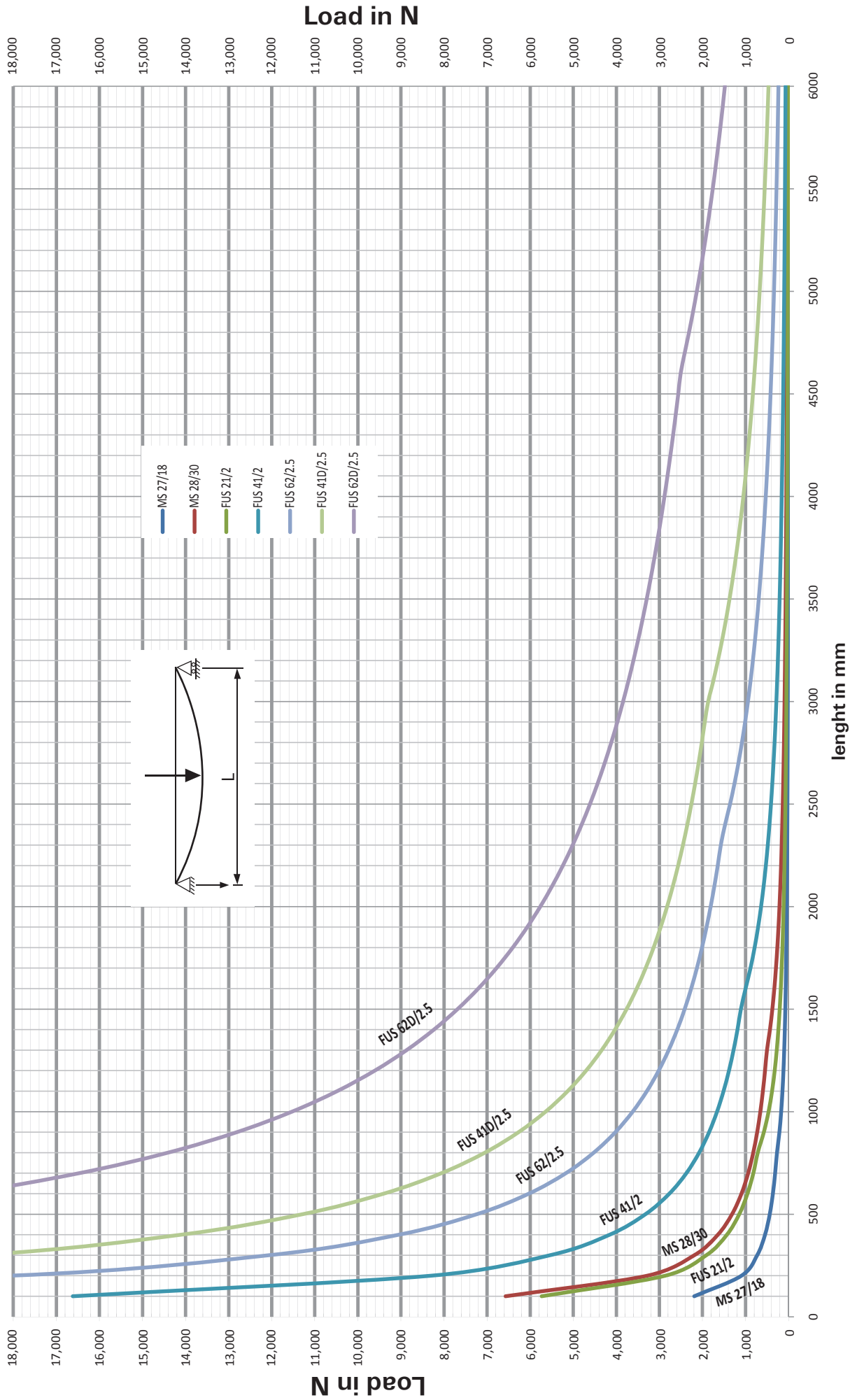
### equivalents of carbon steel qualities

| DIN EN ISO         |                  |              | ASTM   |
|--------------------|------------------|--------------|--------|
| Description        | Material-no.     |              |        |
| S 250 GD+Z         | 1.0242           | DIN EN 10346 | A 569  |
| DD11               | 1.0332           | DIN EN 10111 | A 569  |
| DC01               | 1.0330           | DIN EN 10130 | A 366  |
| St 22              | 1.0320           | DIN 1614-1   | n/a    |
| DX51D+Z 275 NAC    | 1.0226+Z         | DIN EN 10327 | A 653  |
| S235JR             | 1.0037           | DIN EN 10025 | A 283  |
| S 355 MC           | 1.0976           | DIN EN 10149 | Gr. 50 |
| 4.6; 4.8, 5.8, 8.8 | DIN EN ISO 898-1 |              | F 568M |

## Design Curve 1

Channels capacity under concentrated load (deflection is limited to  $L / 200$ ).

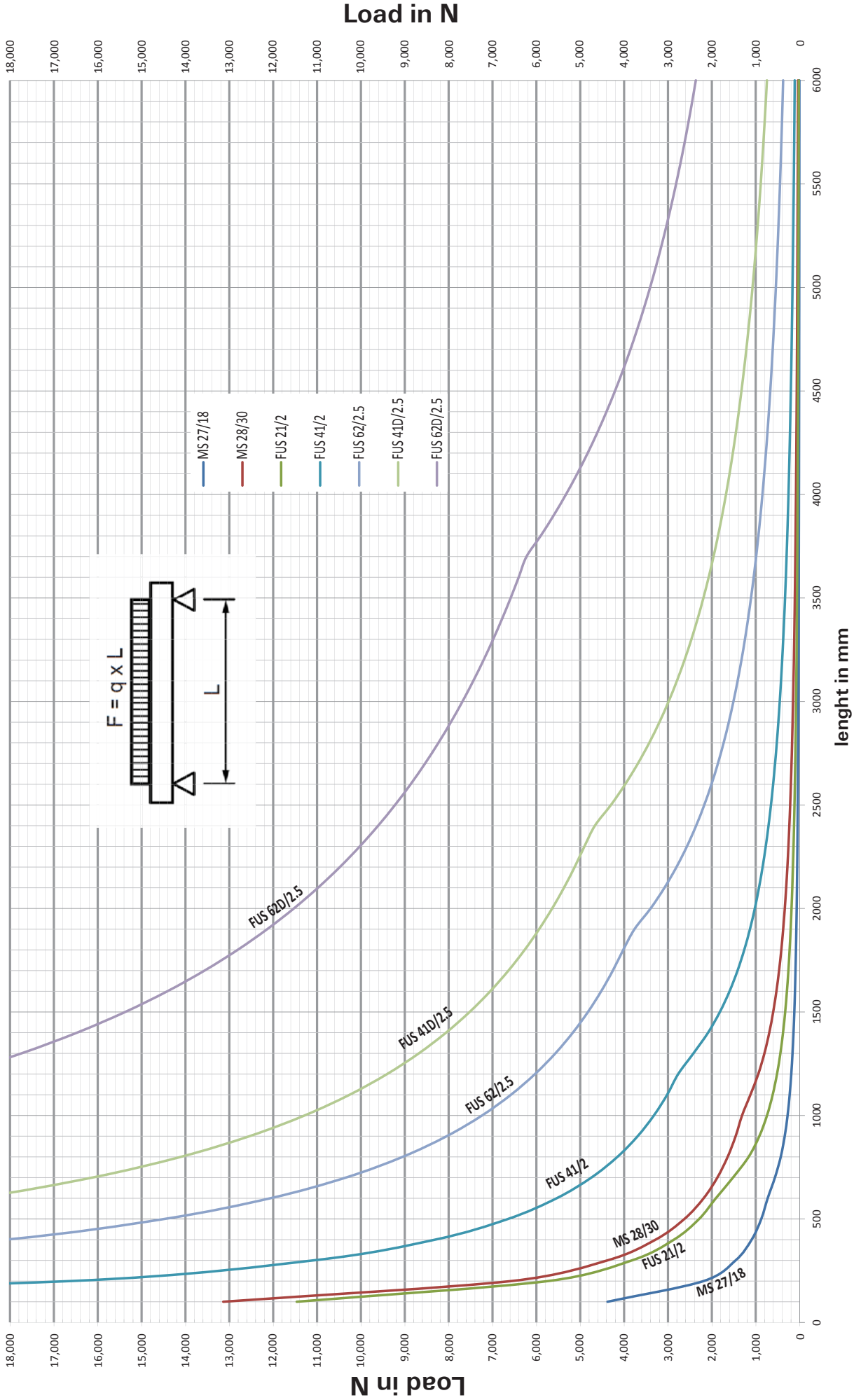
The required partial safety factors for material resistance as well as a partial safety factor for load actions of  $L = 1,4$  are considered.



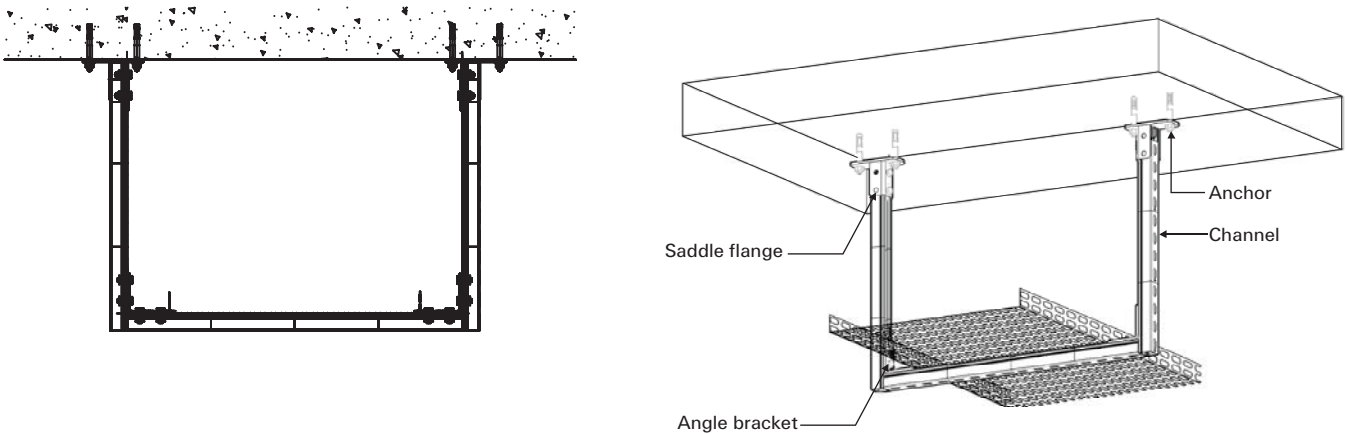
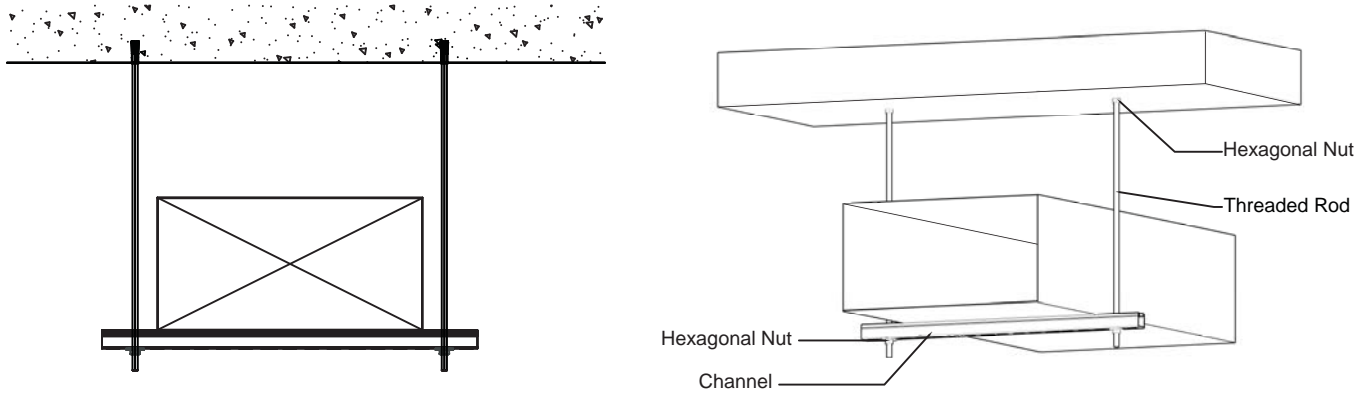
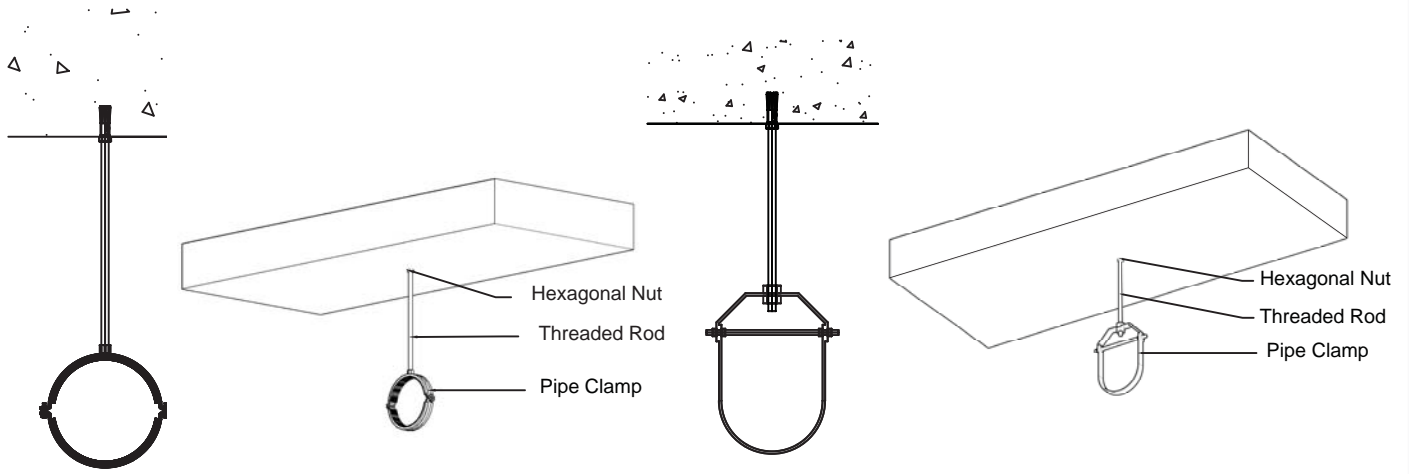
## Design Curve 2

Channels capacity under **uniform distributed load** (deflection is limited to  $L / 200$ ).

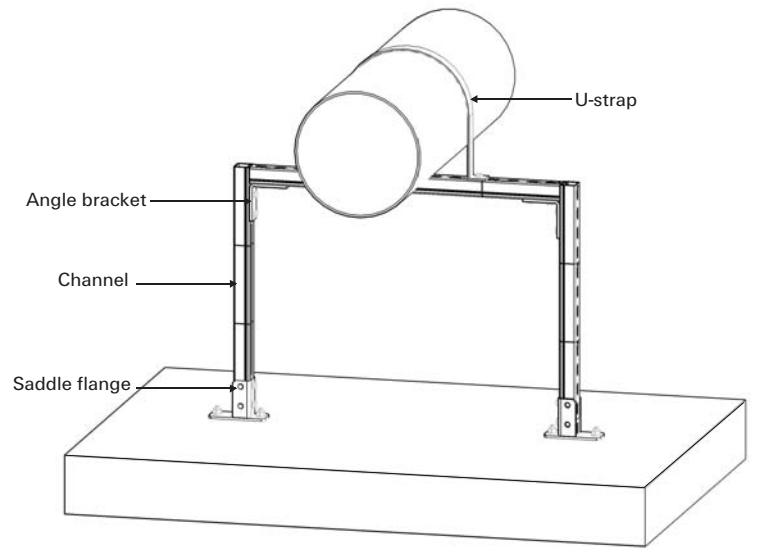
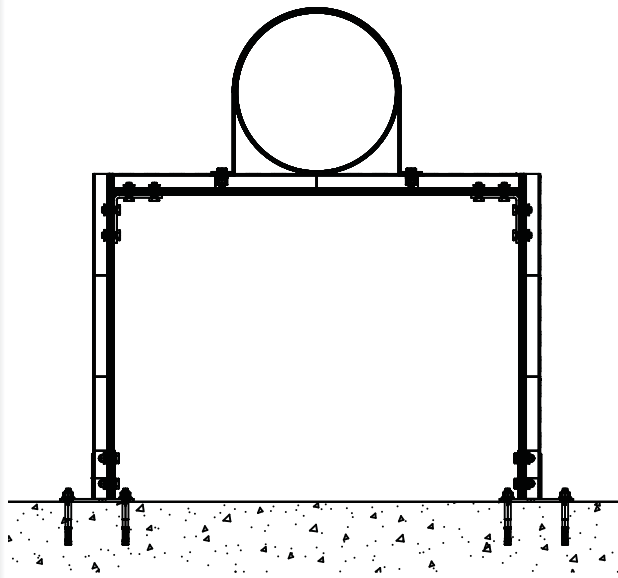
The required partial safety factors for material resistance as well as a partial safety factor for load actions of  $\gamma = 1,4$  are considered.



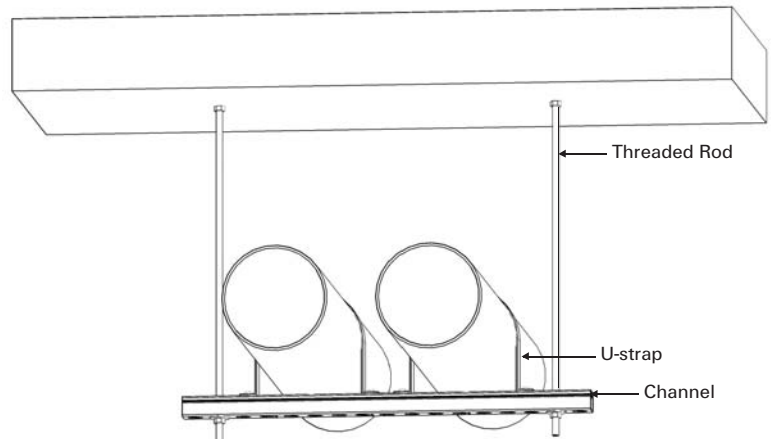
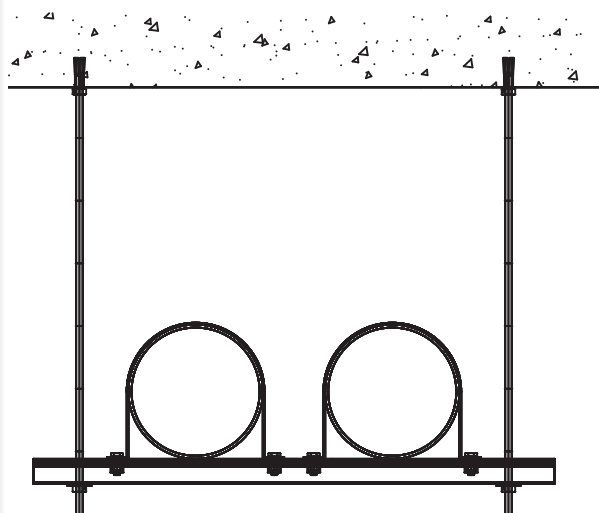
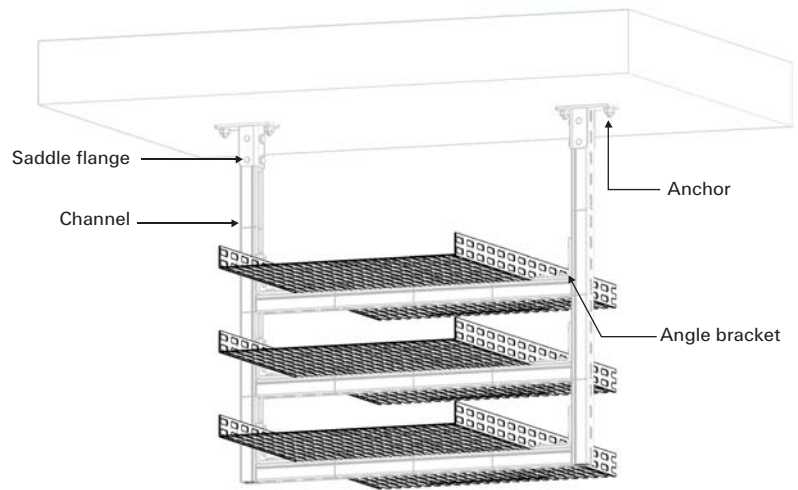
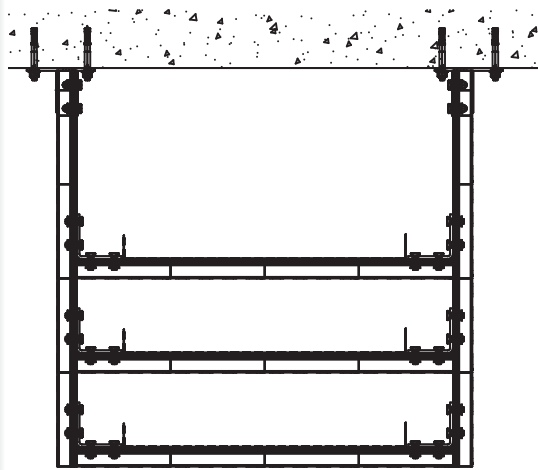
## Suspended Supports



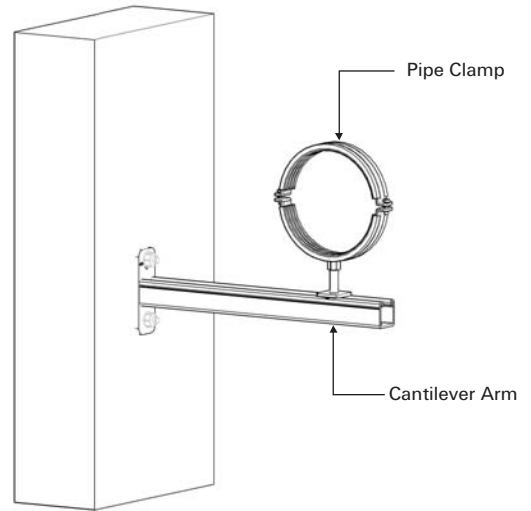
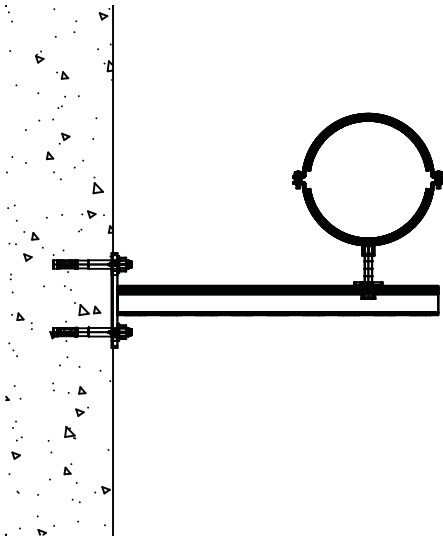
**Floor Mounted Supports**



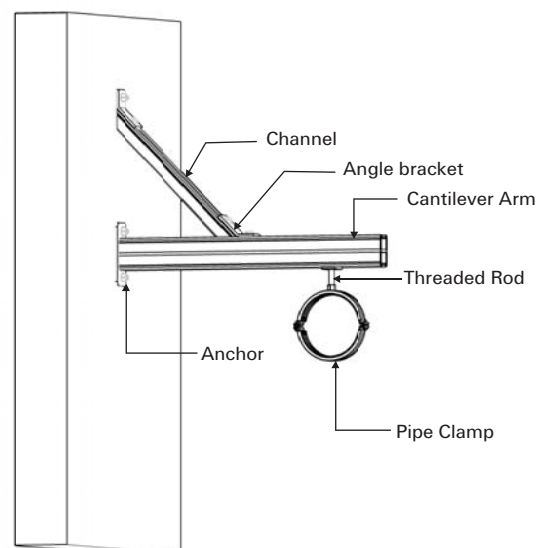
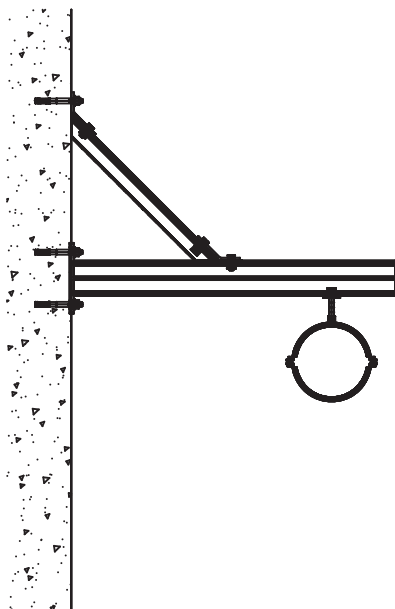
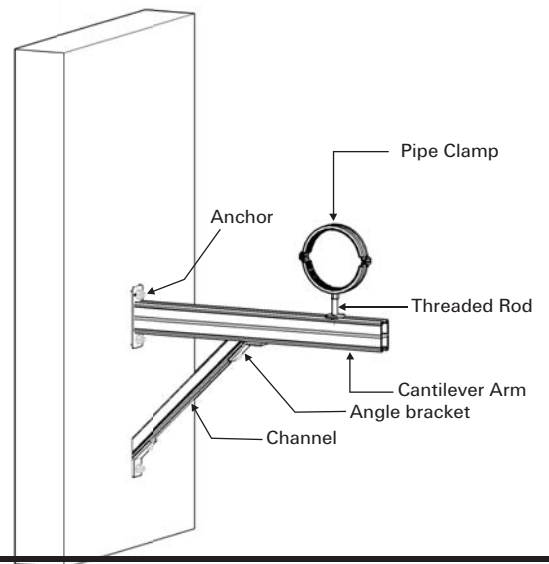
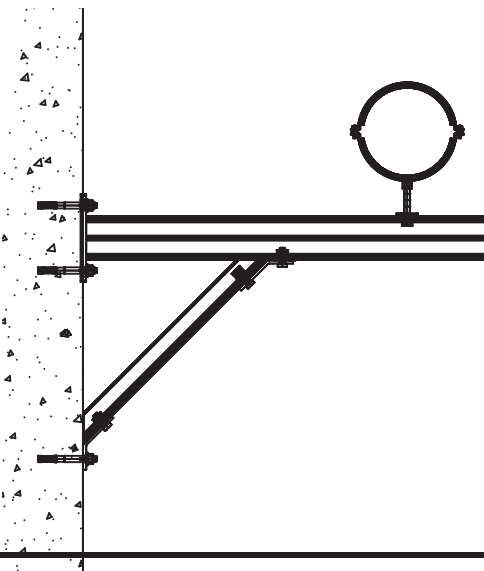
**Suspended Supports**

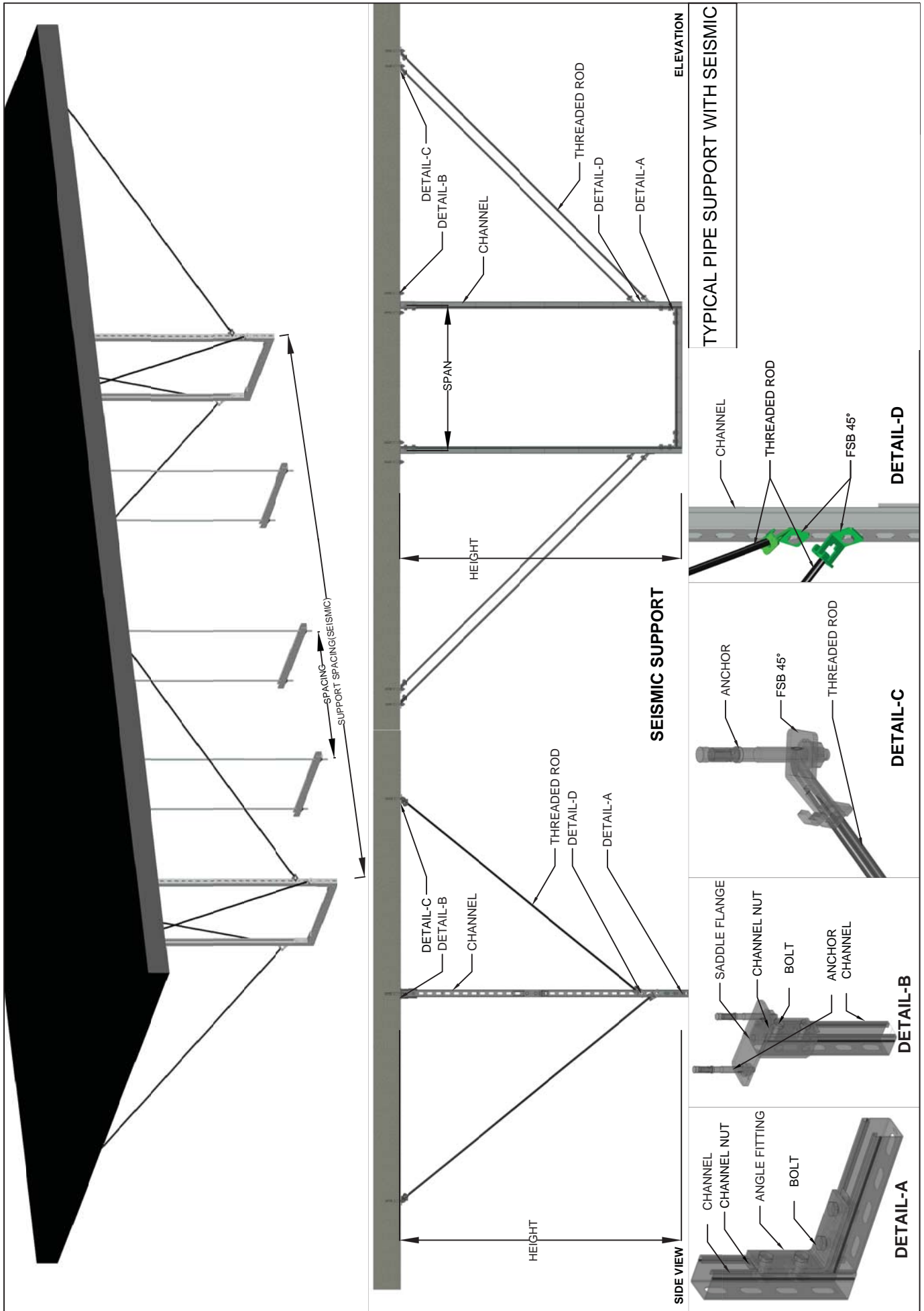


## Cantilever Supports

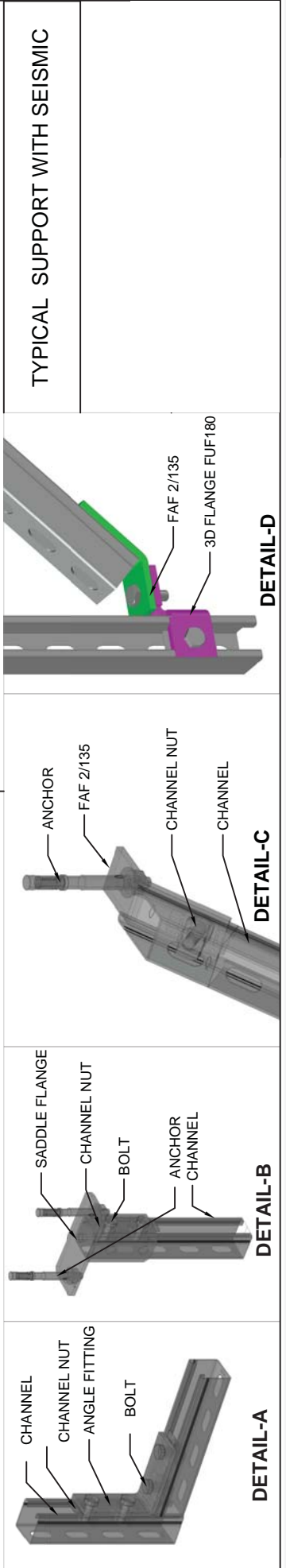
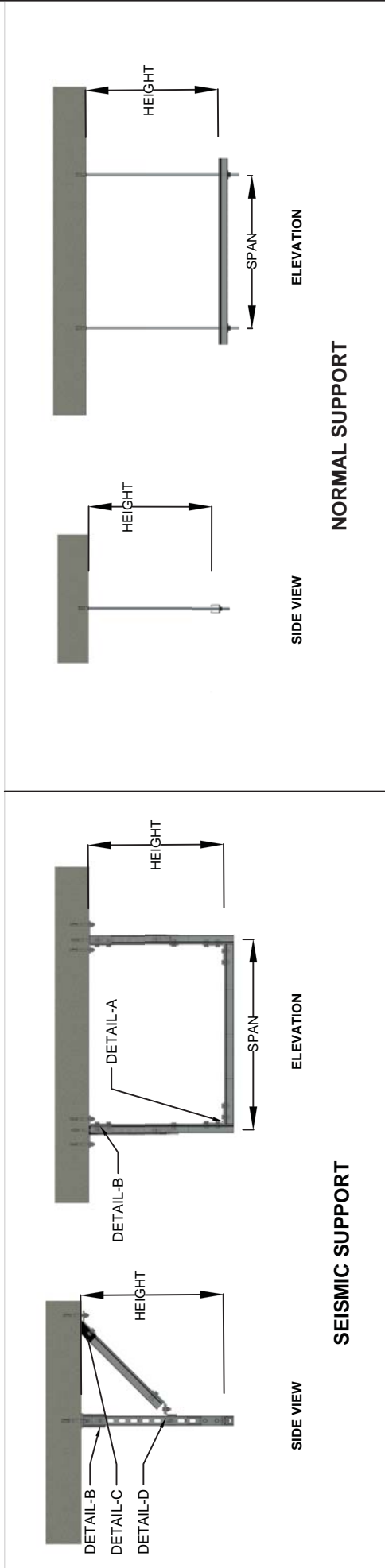
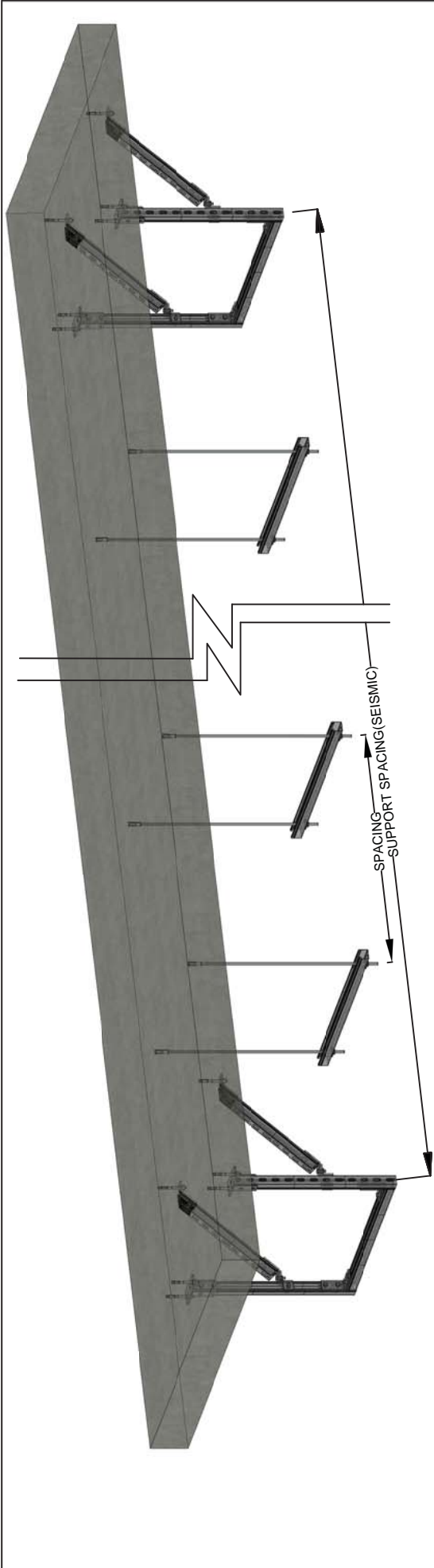


## Cantilever Support with Bracing









## fischer International Subsidiaries

 **fischer Deutschland Vertriebs GmbH**  
Weinhalde 14-18  
72178 Waldachtal  
GERMANY  
Tel.: (0049) 744312-6000  
Fax: (0049) 744312-4500  
www.fischer.de  
E-Mail: info@fischer.de  
anwendungstechnik@fischer.de  
vertriebsnendienst@fischer.de

 **fischer Argentina S.A.**  
Armenia 3044  
1605 Munro  
Ra-PCIA: De Buenos Aires  
ARGENTINA  
Tel.: (0054) 1147-622778  
Fax: (0054) 1147-561311  
www.fischer.com.ar  
E-Mail: asistencia tecnica@fischer.com.ar

 **fischer Australia Pty. Ltd.**  
Unit 1, 61 Waterview Close  
Dandenong South  
VIC 3175  
AUSTRALIA  
Tel.: (0061) 39799-2096  
Fax: (0061) 39799-2696  
www.fischerfixings.com.au  
E-Mail: info@fischerfixings.com.au

 **fischer Austria GmbH**  
Wiener Straße 95  
2514 Traiskirchen  
AUSTRIA  
Tel.: (0043) 225253730  
Fax: (0043) 225253730-70  
www.fischer.at  
E-Mail: office@fischer.at

 **fischer italia s.r.l.**  
Corso Stati Uniti, 25  
Casella Postale 391  
35127 Padova Z.I. Sud  
ITALY  
Tel.: (0039) 0498063-111  
Fax: (0039) 0498063-401  
www.fischeritalia.it  
E-Mail: serclic@fischeritalia.it

 **fischer Japan K.K.**  
Seishin Kudan Building 3rd Floor  
3-4-15 Kudan Minami  
Chiyoda-ku  
Tokyo 102-0074  
JAPAN  
Tel.: (0081) 503675-7782  
Fax: (0081) 503675-7782  
www.fischerjapan.co.jp  
E-Mail: georg.lenz@fischerjapan.co.jp

 **fischer Sistemas de Fijación, S.A. de C.V.**  
Blvd. Manuel Avila Camacho 3130 - 400B  
Col. Valle Dorado, Tlalneapantla  
Estado de Mexico, C.P. 54020  
MEXICO  
Tel.: (0052) 555572-0883  
Fax: (0052) 555572-1590  
www.fischer.de  
E-Mail: info@fischermex.com.mx

 **fischer Benelux B.V.**  
Amsterdamsstraatweg 45 B/C  
1411 AX Naarden  
NETHERLANDS  
Tel.: (0031) 3569566-66  
Fax: (0031) 3569566-99  
www.fischer.nl  
E-Mail: info@fischer.nl

 **fischer Cobemabel s.n.c.**  
Schaliënhoedreef 20 D  
2800 Mechelen  
BELGIUM  
Tel.: (0032) 152847-00  
Fax: (0032) 152847-10  
www.fischer.be  
E-Mail: info@fischerbelgium.be

 **fischer Brasil Indústria e Comércio Ltda.**  
Estrada do Dende, 300 Ilha do Governador  
BR-21920-001 Rio de Janeiro-RJ  
BRAZIL  
Tel.: (0055) 21 24 67 87 96  
Fax: (0055) 21 24 67 11 30  
www.fischerbrasil.com.br  
E-Mail: fischer@fischerbrasil.com.br

 **fischer (Taicang) fixings Co., Ltd.**  
Shanghai Rep. Office  
Rm 1503-1504,  
No. 63 Chifeng Road,  
200092 Shanghai  
CHINA  
Tel.: (0086) 2151001668  
Fax: (0086) 2165979669  
www.fischer.com.cn  
E-Mail: ficnsh@fischer.com.cn

 **fischer Hrvatska d.o.o.**  
Nadinska 29 - Velikopojje  
10010 Zagreb  
CROATIA  
www.fischer.hr  
E-Mail: alen.dopsaj@fischer.hr

 **fischer Norge AS**  
Oluf Onsumsvei 9  
0680 OSLO  
NORWAY  
Tel.: (0047) 232427-10  
Fax: (0047) 232427-13  
www.fischer norge.no  
E-Mail: jmo@fischer norge.no

 **fischerpolska Sp. z o.o.**  
ul. Albatrosow 2  
30-716 Kraków  
POLAND  
Tel.: (0048) 1229008-80  
Fax: (0048) 1229008-88  
www.fischerpolska.pl  
E-Mail: info@fischerpolska.pl

 **fischerwerke Portugal, Lda**  
Av. Casal da Serra, Lote I-4, Sala 5  
2625-085 Povoas de Santa Iria  
PORTUGAL  
Tel.: (00351) 2195-37450  
Fax: (00351) 2195-91390  
www.fischer.pt  
E-Mail: fischerportugal.info@fischer.es

 **000 fischer Befestigungssysteme Rus**  
I. Dokukina 16/1, Building 1  
129226 Moscow  
RUSSIA  
Tel.: (007) 495 223-0334  
Fax: (007) 495 223-0334  
www.fischerfixings.ru  
E-Mail: info@fischerfixings.ru

 **fischer international s.r.o.**  
Průmyslová 1833  
25001 Brandýs nad Labem  
CZECH REPUBLIC  
Tel.: +(00420) 3269046-01  
Fax: (00420) 3269046-00  
www.fischer-cz.cz  
E-Mail: info@fischerwerke.cz

 **fischer a/s**  
Sandvadsvej 17 A  
4600 Køge  
DENMARK  
Tel.: (0045) 4632-0220  
Fax: (0045) 4632-5052  
www.fischerdanmark.dk  
E-Mail: fidk@fischerdanmark.dk

 **fischer Finland**  
Suomalaisentie 7 B  
02270 Espoo  
FINLAND  
Tel.: (00358) 2074146-60  
Fax: (00358) 2074146-69  
www.fischer.de  
E-Mail: jorma.makkonen@fischerfinland.fi

 **fischer systems Asia Pte. Ltd.**  
150 Kampong Ampat  
#04-03 KA Centre  
Singapore 368324  
SINGAPORE  
Tel.: (0065) 6285-2207  
Fax: (0065) 6285-8310  
www.fischer.sg  
E-Mail: sales@fischer.sg

 **fischer S. K. s. r. o.**  
Vajnorská 134/A  
831 04 Bratislava  
SLOVAKIA  
Tel.: (0421) 2 4920 6046  
Fax: (0421) 2 4920 6044  
E-Mail: info@fischerwerke.sk  
www.fischer-sk.sk

 **fischer Korea Co. Ltd.**  
#503 Dae-Ryung Techno Town 8th 481-11  
Gasan-dong, Geumcheon-Gu  
153-775 SEOUL  
SOUTH KOREA  
Tel.: (0082) 154489-55  
Fax: (0082) 154489-03  
www.fischerkorea.com  
E-Mail: info@fischerkorea.com

 **Fischer Ibérica S.A.**  
Klaus Fischer 1  
43300 Mont-Roig del Camp  
Tarragona  
SPAIN  
Tel.: (0034) 9778387-11  
Fax: (0034) 9778387-70  
www.fischer.es  
E-Mail: tacos@fischer.es

 **fischer fixings LLC**  
62 Orange Ave  
Suffern, NY 10901  
USA  
Tel.: (001) 845-5045098  
Fax: (001) 845-6252666  
www.fischerfixings.com  
E-Mail: info@fischerfixingsusa.com

 **fischer S.A.S.**  
12, rue Livio B. P. 10182  
67022 Strasbourg-Cedex  
FRANCE  
Tel.: (0033) 38839-1867  
Fax: (0033) 38839-8044  
www.fischer.fr  
E-Mail: info@fischer.fr

 **fischer fixings UK Limited**  
Whitely Road  
Oxon OX10 9AT Wallingford  
OX 10 9AT  
GREAT BRITAIN  
Tel.: (0044) 149 182 79-00  
Fax: (0044) 149 182 79-53  
www.fischer.co.uk  
E-Mail: info@fischer.co.uk

 **fischer Hellas**  
Emporiki EPE G, Papandreou 125  
144 52 Metamorphosis, Athens  
GREECE  
www.fischer.gr

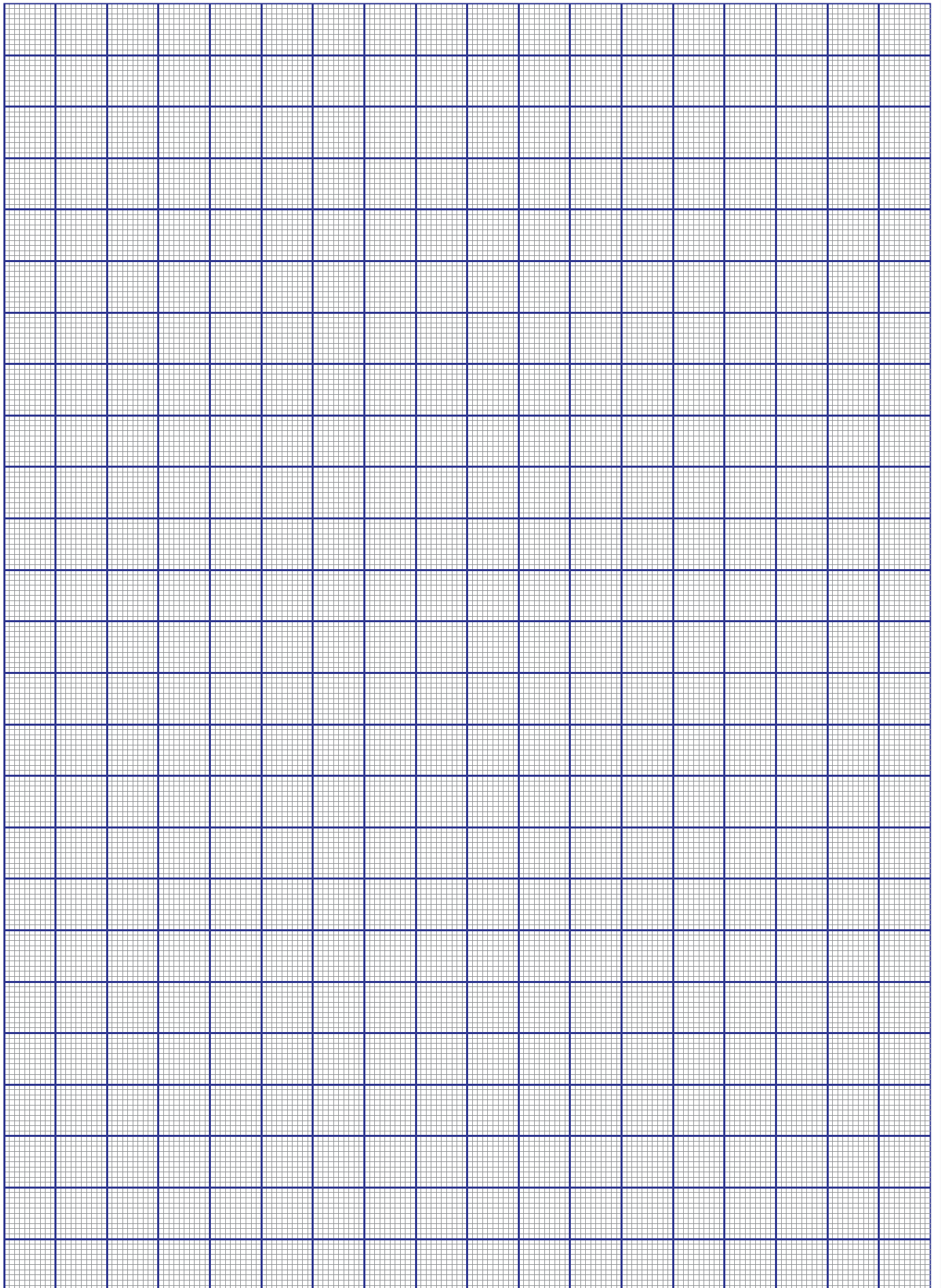
 **fischer HUNGÁRIA Bt.**  
Szerémi út 7.  
1117 Budapest  
HUNGARY  
Tel.: (0036) 134797-55  
Fax: (0036) 134797-65  
www.fischerhungary.hu  
E-Mail: info@fischerhungary.hu

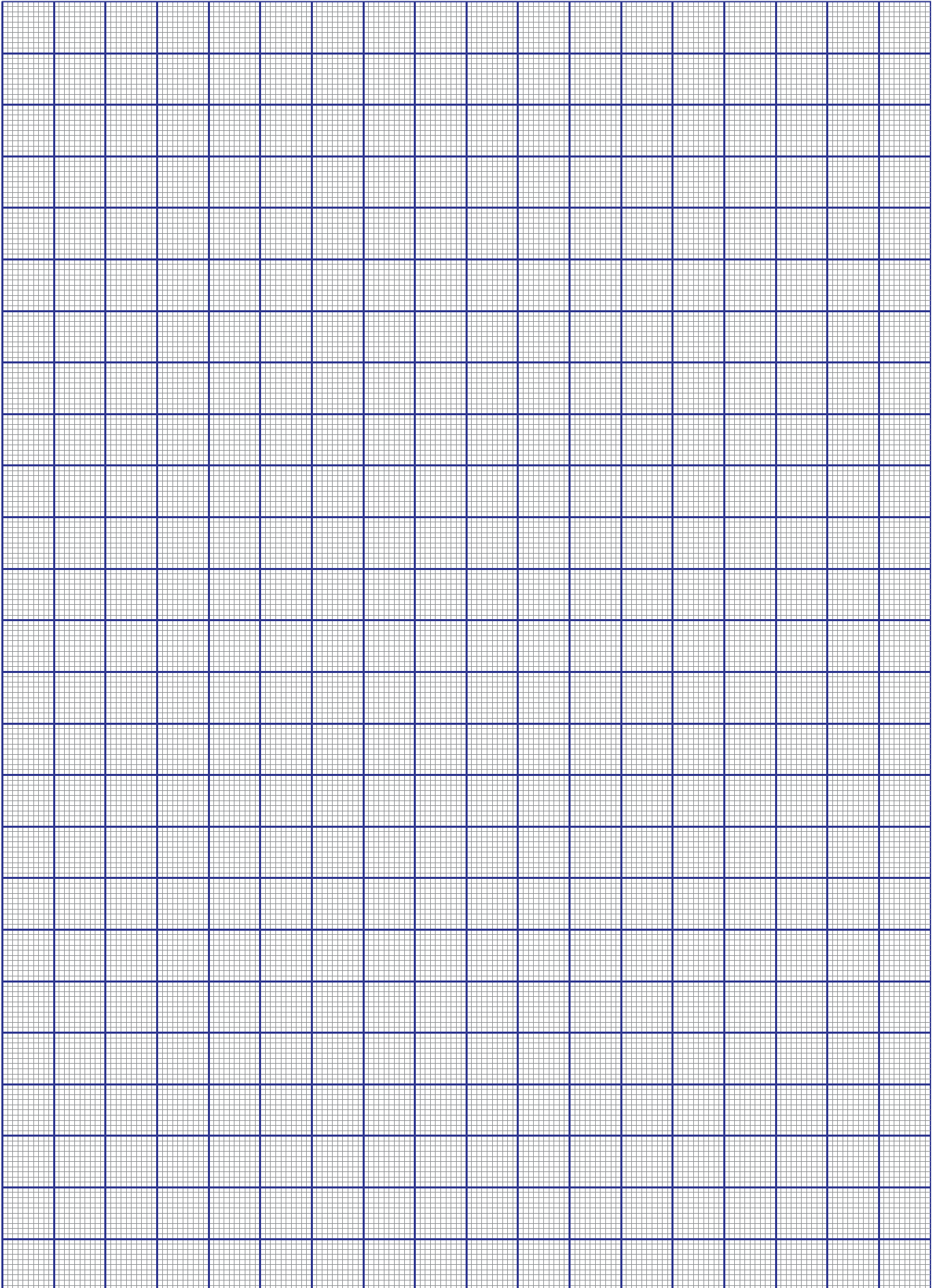
 **fischer Metal Sanayi ve Ticaret Limited Sirketi**  
Yeni yol Sokak  
ETAP Is Merkezi, A Blok  
No: 16/9  
34722 Hasanpasa / Kadikoy  
Istanbul  
Tel.: (0090) 216 326 0066  
Fax: (0090) 216 326 0018

 **fischer Sverige AB**  
Koppargatan 11  
602 23 Norrköping  
SWEDEN  
Tel.: (0046) 1131-4450  
Fax: (0046) 1131-1950  
www.fischer sverige.se  
E-Mail: gg@fischer sverige.se

 **fischer Building Material India PV. LTD.**  
Prestige Granet,  
36, Ulsoor Road, 4th Floor  
Bangalore Karnataka-560042  
INDIA  
Tel.: (0091) 8041511991/92/93  
Fax: (0091) 8041511989  
www.fischer.de  
E-Mail: info@fischer.in

 **fischer PH Asia, Inc.**  
No 100 Congressional Avenue,  
Project 8, 1106 Quezon City  
Philippines  
Tel.: (0063) 2426/0888217  
E-Mail: emmanuel.lopez@fischerph.com





The information in this catalogue is intended for general guidance only and is given without engagement. Additional information and advice on specific applications is available from our Technical Support Team. For this however, we require a precise description of your particular application.

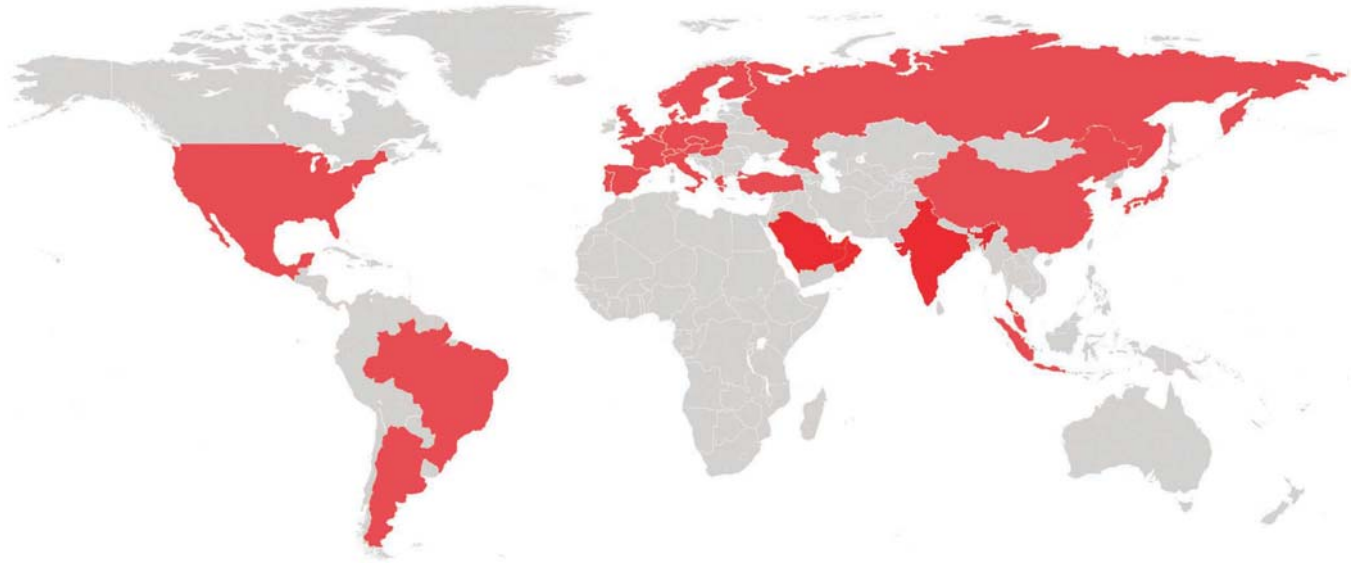
All the data in this catalogue concerning work with our fixing elements must be adapted to suit local conditions and the type of materials in use. If no detailed performance specifications are given for certain articles and types, please contact our Technical Service Department for advice.

fischer Building Materials India Private Limited  
Registered Office: 4th Floor, Prestige Garnet  
36, Ulsoor Road, Bengaluru 560 042, INDIA.

[info@fischer.in](mailto:info@fischer.in)

We cannot be responsible for any errors, and we reserve the right to make technical and range modifications without notice. No liability is accepted for printing errors and omissions.

## Global Presence



### **fischer Building Materials India Private Limited**

**Registered Office:** 4th Floor, Prestige Garnet  
36, Ulsoor Road, Bengaluru 560 042, INDIA.

Tel.: +91 80 4151 1991 / 92 / 93 | Fax: +91 80 4151 1989

[www.fischer.in](http://www.fischer.in) | [info@fischer.in](mailto:info@fischer.in)

*Further details, please contact:*

**RSM North** +91 91089 81520      **RSM East** +91 91089 81505  
**RSM West** +91 91089 81515      **RSM South** +91 91089 81510

Company CIN: U31909KA2016FTC095347

### **Head Quarter**

fischerwerke GmbH & Co. KG  
Klaus-Fischer-Straße 1  
72178 Waldachtal

Tel.: +49 7443 12-0