

Flexifloat Rubber Mounts

Type EFM

licensed in 1992 by
**CHRISTIE
& GREY**



Rated Load : - up to 1000 kgs
Deflection : - up to 6.5 mm

Flexifloat is a low height captive rubber mounting especially designed where space is limited.

The axial and transverse stiffness are same but longitudinal stiffness is 2.5 time of vertical stiffness. This facilitates installation where higher stiffness in one horizontal direction is desirable.

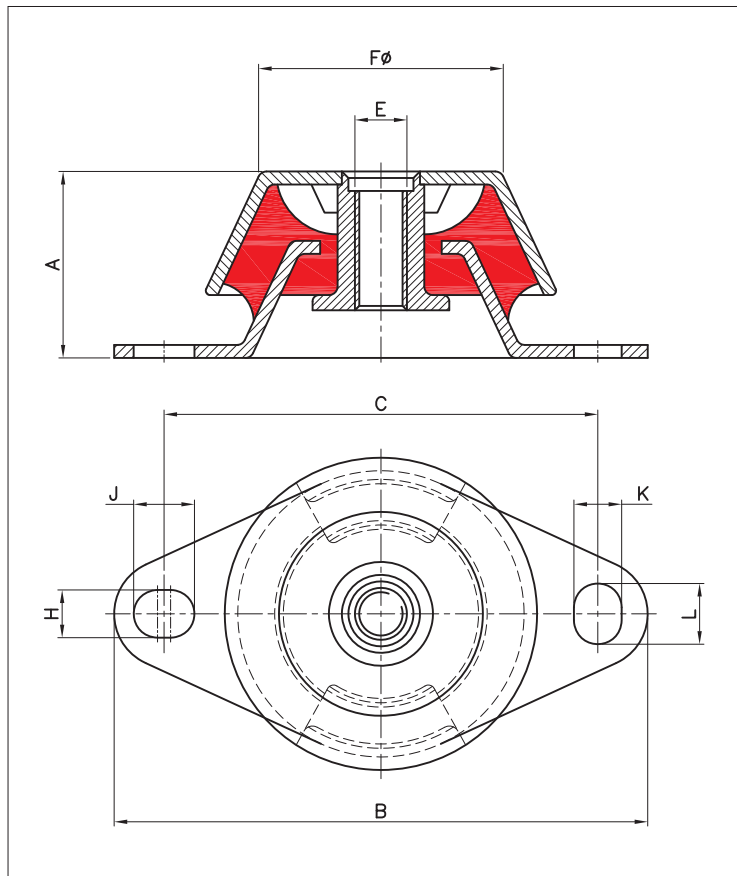
Isolator comprises of first grade bonded rubber insert with plated outer metal cover.

Integral overload and rebound components limit excessive movement under the action of vehicle/ship motion or shock forces.

- * Three sizes, each in three rubber stiffnesses.
- * Different vertical and lateral stiffness ratios facilitate the choice of the most appropriate isolator characteristics for a particular application.
- * Low height compact units for use where space is limited.

TYPICAL APPLICATIONS

- CONTROL CABINETS
- COMPRESSORS
- FANS
- GENERATING SETS
- HYDRAULIC PUMPS
- MOTORS
- MARINE PROPULSION ENGINES
- MOBILE UNITS



TECHNICAL CHARACTERISTICS

PRODUCT CODE	COLOUR CODE	RATED LOAD (kg)	DEFLECTION at Rated Load (mm) $\pm 15\%$	NOMINAL DIMENSIONS (mm)								
				A	B	C	E	F	H	J	K	L
EFM 1.45	Blue	45	4.5	43	123	100	M12	60	11	14	11	14
EFM 1.55	Red	80	4.5									
EFM 1.65	Purple	120	4.5									
EFM 2.45	Blue	130	6.5	51	185	140	M16	70	13	20	13	30
EFM 2.55	Red	220	6.5									
EFM 2.65	Purple	370	6.5									
EFM 3.45	Blue	350	8	78	230	182	M20	90	18	26	18	34
EFM 3.55	Red	550	8									
EFM 3.65	Purple	1000	8									

For more detailed information and technical assistance, please contact our Applications Engineering Group.
In the interest of continual development and improvement, the company reserves the right to make modifications to these details without notice