

# Genflex Rubber Mounting

Type GF

licensed in 1992 by  
**CHRISTIE  
& GREY**

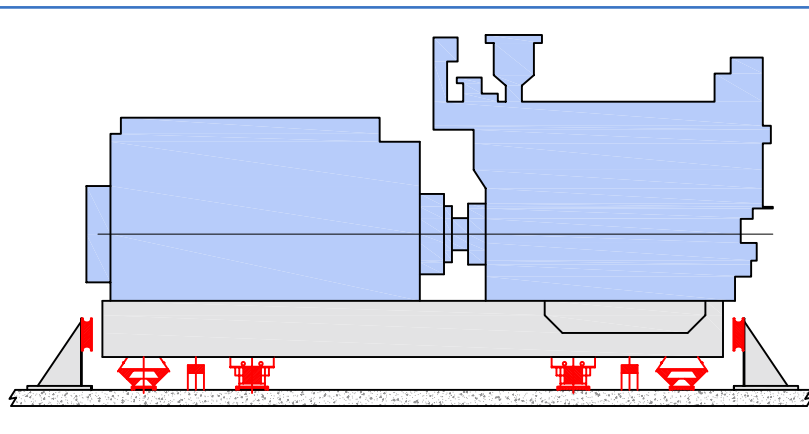


Genflex mountings employ the well proven inclined rubber element design to achieve much higher deflections compared to simple rubber in compression devices and therefore providing superior isolation of low frequency vibration.

The pure rubber design offers excellent performance in the audible frequency range which cannot be achieved with helical steel springs even with so called 'noise stop pads'.

Natural rubber also offers inherent damping to control transient motion resulting from machine start up, run down and fault conditions.

For marine and mobile applications, a combined overload and rebound buffer is available in both the B range and HD (high deflection) variants.



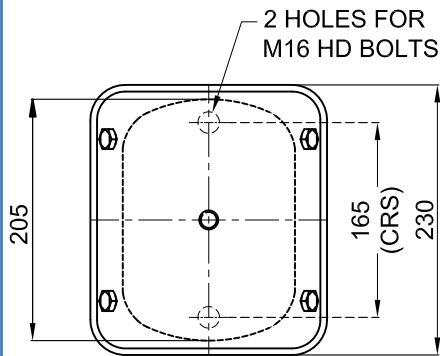
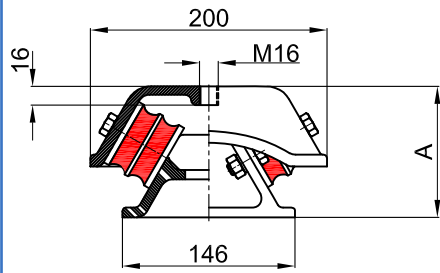
## DESIGN FEATURES

- First grade natural rubber to metal bonded rectangular elements inclined to achieve maximum load and deflection using a combination of compression and shear loading.
- Rubber elements effectively protected against oil contamination by the extended top skirt design of the top casting.
- Two different horizontal stiffness axes enable optimum system characteristics and vibration isolation to be achieved using careful orientation of the mountings.
- Marine/Mobile version available with combined overload and rebound buffer.
- A ribbed rubber seating pad is available obviating the need for costly HD bolts for many industrial applications.
- Available with Iron Castings as standard and Steel Castings for Shock Applications.

## TYPICAL APPLICATIONS

- Chillers and Cooling Towers
- Diesel Generating Sets
- Engine Test Beds
- Lift Motor Gear
- Large Fans and AHU's
- Marine Propulsion Engines
- Pumps and Compressors
- Vibrating Screens and Hoppers

**RESISTOFLEX**  
SINCE 1947  
Vibration Shock Seismic Control

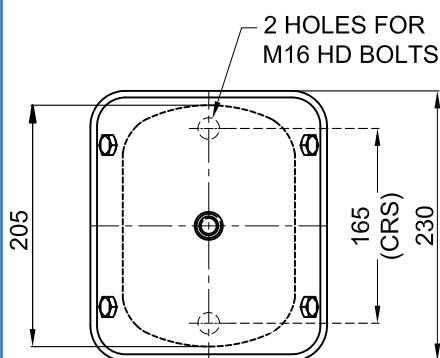
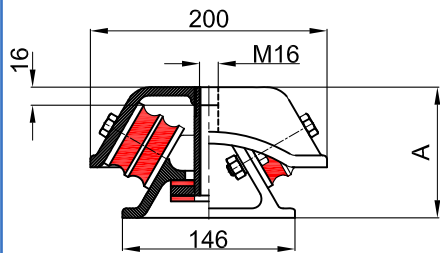
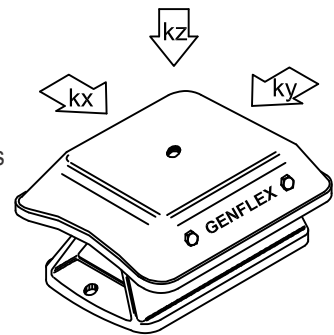


## STATIONARY APPLICATIONS

CODE	COLOUR CODE	LOAD RANGE (kg)	STATIC STIFFNESS (KN/m)			DYNAMIC / STATIC STIFFNESS RATIO	FREE HEIGHT A (mm)
			Kx	Ky	Kz		
GF-B/45	BLUE	UP TO 560	2450	275	918	1.18	111
GF-B/55	RED	UP TO 900	3630	360	1400	1.25	
GF-B/60	WHITE	UP TO 1100	4660	460	1850	1.35	
GF-B/70	ORANGE	UP TO 1650	6370	600	2550	1.70	
GF-HD/35	YELLOW	UP TO 425	610	125	330	1.14	124
GF-HD/45	BLUE	UP TO 630	890	205	450	1.18	
GF-HD/55	RED	UP TO 990	1280	268	680	1.25	
GF-HD/60	WHITE	UP TO 1280	1820	400	860	1.35	
GF-HD/70	ORANGE	UP TO 1650	2360	480	1300	1.70	
GF-HD/75	GREY	UP TO 2000	3420	750	1800	1.90	

### Stiffness

- Static stiffness values should be used to calculate working deflection and therefore operating height. For system natural frequency calculations, dynamic stiffness values must be used
- Static stiffness tolerance is  $\pm 15\%$ .



## MOBILE APPLICATIONS

CODE	COLOUR CODE	LOAD RANGE (kg)	STATIC STIFFNESS (KN/m)			DYNAMIC / STATIC STIFFNESS RATIO	FREE HEIGHT A (mm)
			Kx	Ky	Kz		
GF-B/45.M	BLUE	200-560	2450	275	918	1.18	108
GF-B/55.M	RED	300-900	3630	360	1400	1.25	
GF-B/60.M	WHITE	375-1100	4660	460	1850	1.35	
GF-B/70.M	ORANGE	550-1650	6370	600	2550	1.70	
GF-HD/35.M	YELLOW	250-425	610	125	330	1.14	117
GF-HD/45.M	BLUE	350-630	890	205	450	1.18	
GF-HD/55.M	RED	550-990	1280	268	680	1.25	
GF-HD/60.M	WHITE	725-1280	1820	400	860	1.35	
GF-HD/70.M	ORANGE	925-1650	2360	480	1300	1.70	
GF-HD/75.M	GREY	1150-2000	3420	750	1800	1.90	

### IMPORTANT NOTES:-

- For **MOBILE** Versions the upper fixing bolt (not supplied) **MUST** locate to at least 50 mm and not more than 85 mm thread depth.
- 35 & 75 versions are non stock items and therefore to special order only.
- Mounts available in Oil & environment resistant NITRILE RUBBER. When ordering use suffix 'B' after part no.

### Friction Seating Pads

For free standing applications and installation on uneven surfaces. Please specify Part No. FP-GF when ordering. Seating Pad 6 mm thick.

### Installation Instructions

Refer to our Instruction Manual IM 010

For more detailed information and technical assistance, please contact our Applications Engineering Group.

In the interest of continual development and improvement, the company reserves the right to make modifications to these details without notice.

E-mail : [sales@resistoflex.in](mailto:sales@resistoflex.in)

[www.resistoflex.in](http://www.resistoflex.in)

Mob.: 98182 00361 - 364