

Seismic Restrained Spring Mounts

Type SRSM - 1, 2, 4, 6, 9, 12 & 16 Spring Variants



SRSM 2

Resistoflex Seismic Restrained Spring Mounts are designed for Vibration Isolation and Seismic Restraint of equipments subjected to weight variations and large external forces.

The mounts are designed to provide a high 'G' SEISMIC RESTRAINT IN ALL DIRECTIONS WITH BUILT-IN SNUBBERS.

The SRSM mounts reduce transmission of low frequency machinery vibration to a building structure to avoid physical damage or annoyance to the occupants.

SRSM Mounts are ideal for large or heavy equipments mounted on structural frames or concrete bases on roof tops even in wind prone areas or active seismic zones due to the integral vertical & lateral restraints. Equipments with large volumes of liquid benefit because during "draining down" upward movement is restricted thus avoiding damage to equipment, pipework and electrical connections.



SRSM 4

DESIGN FEATURES

- High Strength all steel construction with epoxy coated finish for corrosion resistance and zinc plated fixings.
- Large laterally stable colour coded epoxy coated helical steel springs with nominal deflections of 25mm and 50mm and up to 50% overload capacity.
- Vertical and lateral restraints have hold down bolts in steel housing with large dia rubber snubbers to avoid any metallic contact and to provide adequate radial clearance to ensure vibration isolation efficiency is not impaired.
- Equipments can be levelled since working height and vertical limiting stops are fully adjustable.
- Cross ribbed rubber acoustic seating pad prevent skidding and transference of high frequency vibration & sound.

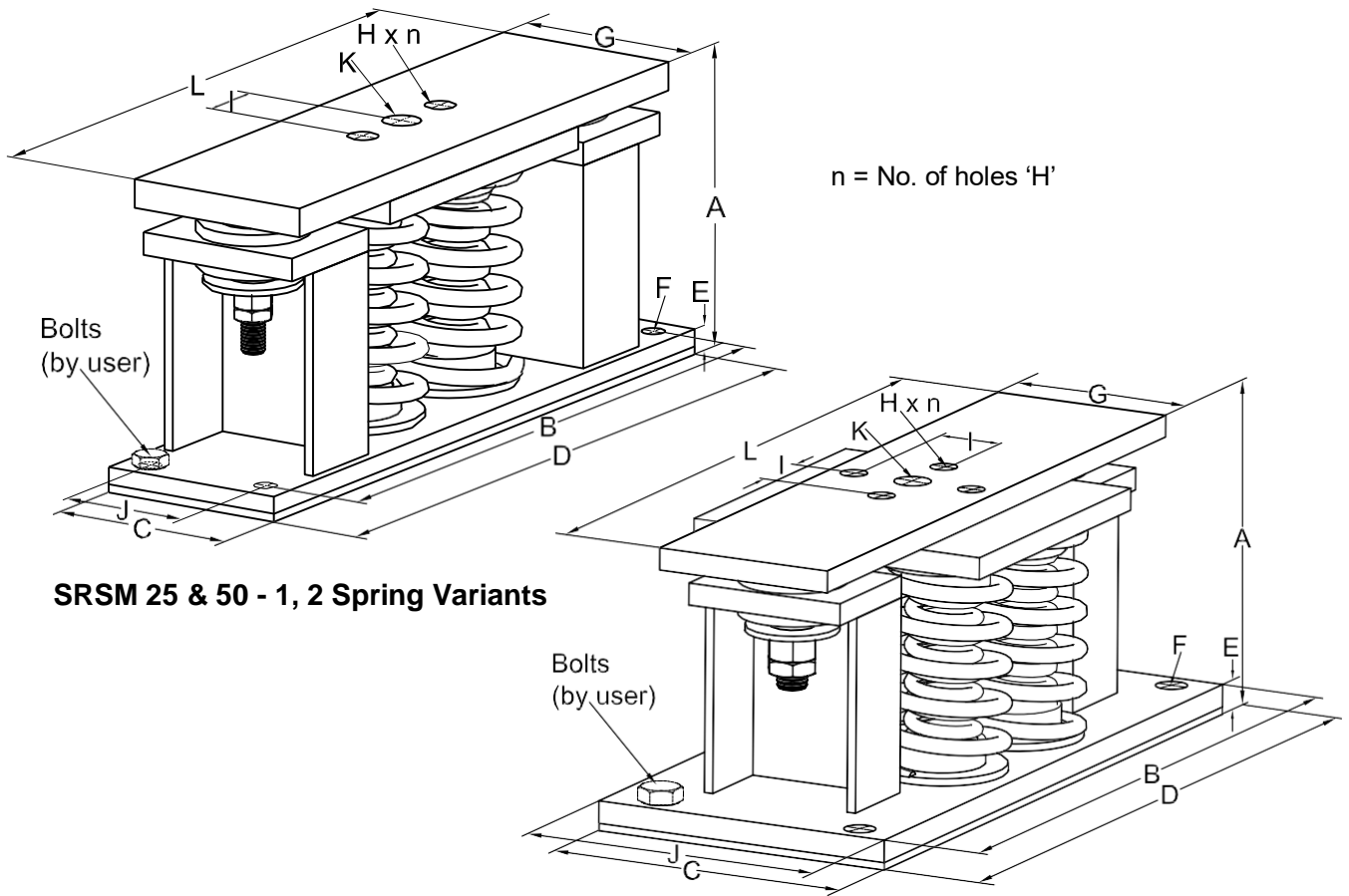
TYPICAL APPLICATIONS

AIR HANDLING UNITS
COOLING TOWERS
CHILLERS & CONDENSERS
BOILERS & LARGE FANS

RESISTOFLEX
SINCE 1947
Vibration Shock Seismic Control

SRSM 25 - 1, 2, 4, 6, 9, 12 & 16 Spring Variants

PRODUCT CODE	SPRING COLOUR	RATED LOAD (kgs)	MAX. LOAD CAPACITY (kgs)	DEFLECTION at Rated Load (mm) +15%	DIMENSIONS (mm)											
					A	B	C	D	E	F	G	H x n	I	J	K	L
SRSM1-25/200	Red	200	300	25	161	265	100	295	12	12	100	-	-	70	M16	250
SRSM1-25/300	Purple	300	450	25												
SRSM1-25/400	Grey	400	600	25												
SRSM1-25/500	Orange	500	750	25												
SRSM1-25/600	Brown	600	900	25												
SRSM1-25/700	Orange/Black*	700	1050	25												
SRSM1-25/800	Black	800	1200	25												
SRSM1-25/1000	Black/Black*	1000	1500	25												
SRSM1-25/1200	Black/Silver*	1200	1800	25												
SRSM2-25/400	Red	400	600	25	161	350	100	380	12	18	100	-	-	70	M20	335
SRSM2-25/600	Purple	600	900	25												
SRSM2-25/800	Grey	800	1200	25												
SRSM2-25/1000	Orange	1000	1500	25												
SRSM2-25/1200	Brown	1200	1800	25												
SRSM2-25/1400	Orange/Black*	1400	2100	25												
SRSM2-25/1600	Black	1600	2400	25												
SRSM2-25/2000	Black/Black*	2000	3000	25												
SRSM2-25/2400	Black/Silver*	2400	3600	25												
SRSM4-25/800	Red	800	1200	25	163	350	170	380	12	18	125	M16 x 4	35	125	M24	335
SRSM4-25/1200	Purple	1200	1800	25												
SRSM4-25/1600	Grey	1600	2400	25												
SRSM4-25/2000	Orange	2000	3000	25												
SRSM4-25/2400	Brown	2400	3600	25												
SRSM4-25/2800	Orange/Black*	2800	4200	25												
SRSM4-25/3200	Black	3200	4800	25												
SRSM4-25/4000	Black/Black*	4000	6000	25												
SRSM4-25/4800	Black/Silver*	4800	7200	25												
SRSM6-25/1200	Red	1200	1800	25	173	440	170	480	16	22	125	M20 x 4	45	125	M27	420
SRSM6-25/1800	Purple	1800	2700	25												
SRSM6-25/2400	Grey	2400	3600	25												
SRSM6-25/3000	Orange	3000	4500	25												
SRSM6-25/3600	Brown	3600	5400	25												
SRSM6-25/4200	Orange/Black*	4200	6300	25												
SRSM6-25/4800	Black	4800	7200	25												
SRSM6-25/6000	Black/Black*	6000	9000	25												
SRSM6-25/7200	Black/Silver*	7200	10800	25												
SRSM9-25/1800	Red	1800	2700	25	173	440	255	480	16	22	200	M20 x 4	45	215	M27	420
SRSM9-25/2700	Purple	2700	4050	25												
SRSM9-25/3600	Grey	3600	5400	25												
SRSM9-25/4500	Orange	4500	6750	25												
SRSM9-25/5400	Brown	5400	8100	25												
SRSM9-25/6300	Orange/Black*	6300	9450	25												
SRSM9-25/7200	Black	7200	10800	25												
SRSM9-25/9000	Black/Black*	9000	13500	25												
SRSM9-25/10800	Black/Silver*	10800	16200	25												
SRSM12-25/2400	Red	2400	3600	25	186	525	255	580	20	26	200	M24 x 4	45	200	M30	505
SRSM12-25/3600	Purple	3600	5400	25												
SRSM12-25/4800	Grey	4800	7200	25												
SRSM12-25/6000	Orange	6000	9000	25												
SRSM12-25/7200	Brown	7200	10800	25												
SRSM12-25/8400	Orange/Black*	8400	12600	25												
SRSM12-25/9600	Black	9600	14400	25												
SRSM12-25/12000	Black/Black*	12000	18000	25												
SRSM12-25/14400	Black/Silver*	14400	21600	25												
SRSM16-25/3200	Red	3200	4800	25	186	540	340	600	20	28	275	M24 x 4	55	275	M33	515
SRSM16-25/4800	Purple	4800	7200	25												
SRSM16-25/6400	Grey	6400	9600	25												
SRSM16-25/8000	Orange	8000	12000	25												
SRSM16-25/9600	Brown	9600	14400	25												
SRSM16-25/11200	Orange/Black*	11200	16800	25												
SRSM16-25/12800	Black	12800	19200	25												
SRSM16-25/16000	Black/Black*	16000	24000	25												
SRSM16-25/19200	Black/Silver*	19200	28800	25												



SRSM 25 & 50 - 1, 2 Spring Variants

SRSM 25 & 50 - 4, 6, 9, 12, 16 Spring Variants

SRSM 50 - 1, 2, 4, 6, 9, 12 & 16 Spring Variants

PRODUCT CODE	SPRING COLOUR	RATED LOAD (kgs)	MAX. LOAD CAPACITY (kgs)	DEFLECTION at Rated Load (mm) $\pm 15\%$	DIMENSIONS (mm)												
					A	B	C	D	E	F	G	H x n	I	J	K	L	
SRSM1-50/200	Green	200	300	50	190	265	100	295	16	18	100	M16 x 2	35	70	M16	200	
SRSM1-50/300	Blue	300	450	50													
SRSM1-50/400	White	400	600	50													
SRSM1-50/500	Red	500	750	50													
SRSM2-50/400	Green	400	600	50	190	350	100	380	16	18	100	M16 x 2	35	70	M20	280	
SRSM2-50/600	Blue	600	900	50													
SRSM2-50/800	White	800	1200	50													
SRSM2-50/1000	Red	1000	1500	50													
SRSM4-50/800	Green	800	1200	50	190	350	170	380	16	18	100	M16 x 4	35	125	M24	330	
SRSM4-50/1200	Blue	1200	1800	50													
SRSM4-50/1600	White	1600	2400	50													
SRSM4-50/2000	Red	2000	3000	50													
SRSM6-50/1200	Green	1200	1800	50	200	440	170	480	22	22	125	M20 x 4	45	125	M27	420	
SRSM6-50/1800	Blue	1800	2700	50													
SRSM6-50/2400	White	2400	3600	50													
SRSM6-50/3000	Red	3000	4500	50													
SRSM9-50/1800	Green	1800	2700	50	200	440	255	480	22	22	200	M20 x 4	45	215	M27	420	
SRSM9-50/2700	Blue	2700	4050	50													
SRSM9-50/3600	White	3600	5400	50													
SRSM9-50/4500	Red	4500	6750	50													
SRSM12-50/2400	Green	2400	3600	50	200	525	255	580	22	28	200	M24 x 4	45	200	M30	500	
SRSM12-50/3600	Blue	3600	5400	50													
SRSM12-50/4800	White	4800	7200	50													
SRSM12-50/6000	Red	6000	9000	50													
SRSM16-50/3200	Green	3200	4800	50	205	540	340	600	22	28	275	M24 x 4	55	275	M33	500	
SRSM16-50/4800	Blue	4800	7200	50													
SRSM16-50/6400	White	6400	9600	50													
SRSM16-50/8000	Red	8000	12000	50													

ISOLATION EFFICIENCY AT TYPICAL MACHINE SPEEDS		
MACHINE SPEEDS (rpm)	EFFICIENCY %	
	25 mm DEFL.	50 mm DEFL.
300	34.0	75.2
500	83.3	92.3
750	93.2	96.7
1000	96.3	98.2
1200	97.4	98.7
1500	98.4	99.2

The above figures are theoretical values only based on the vertical natural frequency of the sprung system assuming infinitely stiff structural supports. The effects of high frequency spring coil resonances on low frequency performance are also ignored.

SPRING DEFLECTION

Spring stiffness is linear over its actual working range therefore, the actual deflection for a given load can be calculated as follows:

$$\text{Actual Deflection (mm)} = \frac{\text{Actual Load (Kg)}}{\text{Rated Load (Kg)}} \times \text{Rated Deflection (mm)}$$

INSTALLATION MANUAL

Refer IM 025 for detailed Instructions

For more detailed information and technical assistance, please contact our Applications Engineering Group.
In the interest of continual development and improvement, the company reserves the right to make modifications to these details without notice